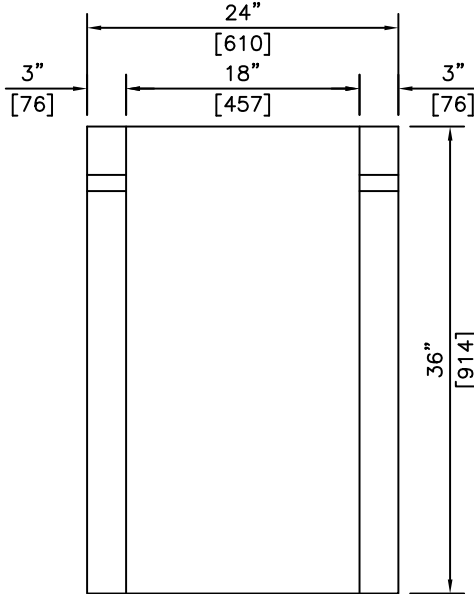


NOTE:
HOLE SIZE FOR ϕ 1" LIFTING
PINS = ϕ 1 1/4"

ISOMETRIC




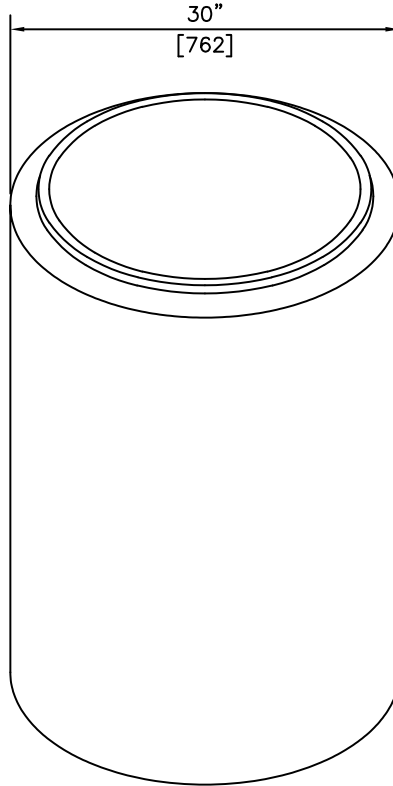
SECTION

ITEM No.	INSIDE DIAMETER	HEIGHT
301	18" (457)	12" (305)
302	18" (457)	24" (610)
303	AS SHOWN	

NOTES:
1) 27.6 MPa @ 28 DAYS

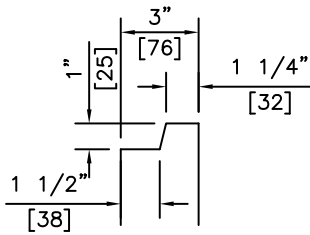
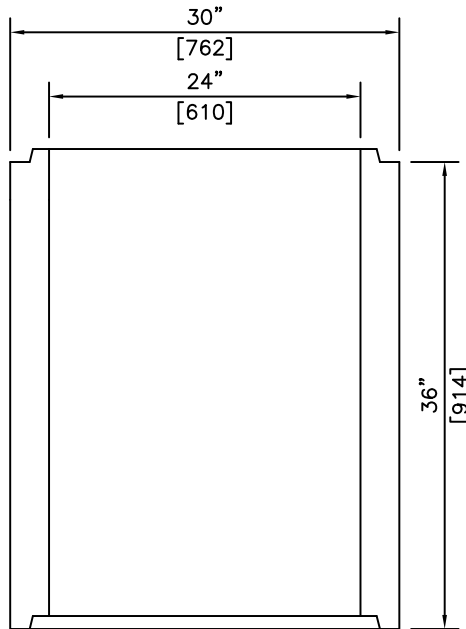
REVISED: MAR 31 2006

 KON KAST products (2005) Ltd. "Committed To Quality And Service"	3440 UNIVERSITY WAY KELOWNA B.C. V1V 1V9 PH: (250)765-1423 FX: (250)765-0820	BY: PKR	18" (457) DIAMETER WELL RINGS	ITEM NO.
		DATE: FEB 15 05		301 TO 303
		SCALE: NTS		



NOTE:
c/w 2-2 3/16" UNI-LIFT
ANCHORS FOR HANDLING

ISOMETRIC



DETAIL

SECTION

ITEM No.	INSIDE DIAMETER	HEIGHT
304	24" (610)	12" (305)
305	24" (610)	24" (610)
306	AS SHOWN	

NOTES:

1) 27.6 MPa @ 28 DAYS

REVISED: MAR 31 2006

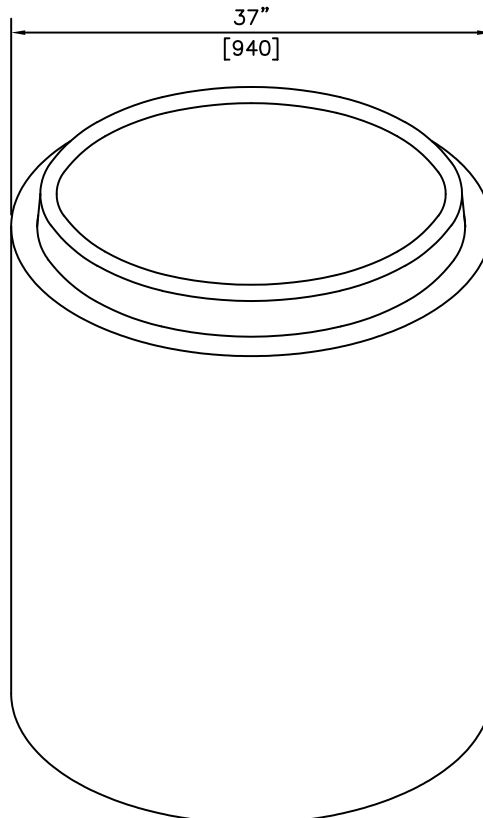
KON KAST
products (2005) Ltd.
"Committed To Quality And Service"

3440 UNIVERSITY WAY
KELOWNA B.C.
V1V 1V9
PH: (250)765-1423
FX: (250)765-0820

BY: PKR
DATE: FEB 15 05
SCALE: NTS

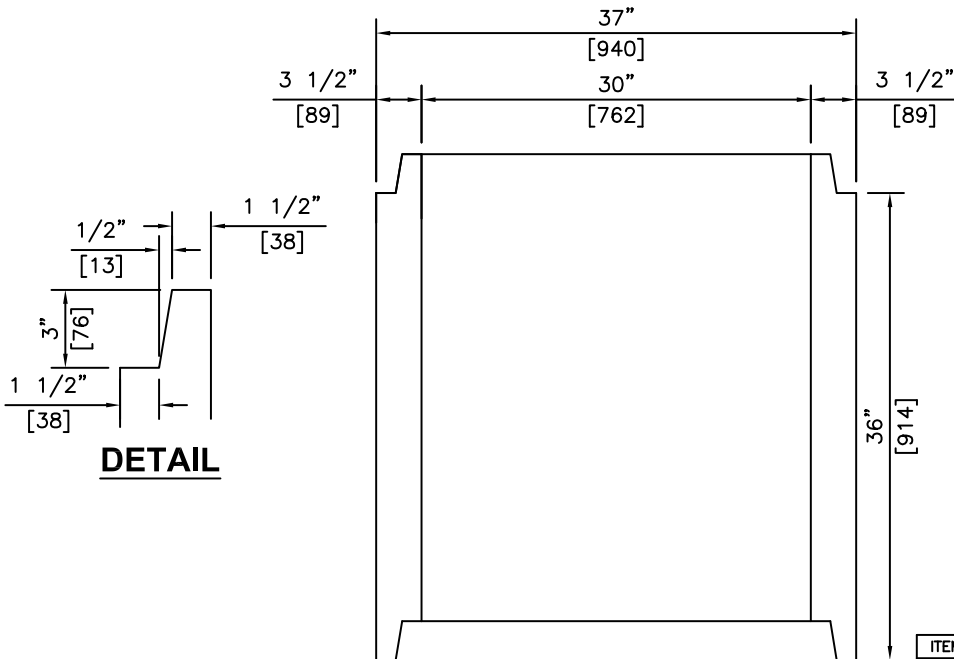
**24" (610)
DIAMETER
WELL RINGS**

ITEM NO.
**304
TO
306**



NOTE:
c/w 2-2 3/16" UNI-LIFT
ANCHORS FOR HANDLING

ISOMETRIC



DETAIL

SECTION

ITEM No.	INSIDE DIAMETER	HEIGHT
307	30" (762)	12" (305)
308	30" (762)	24" (610)
309	AS SHOWN	

NOTES:
1) 27.6 MPa @ 28 DAYS

REVISED: MAR 31 2006

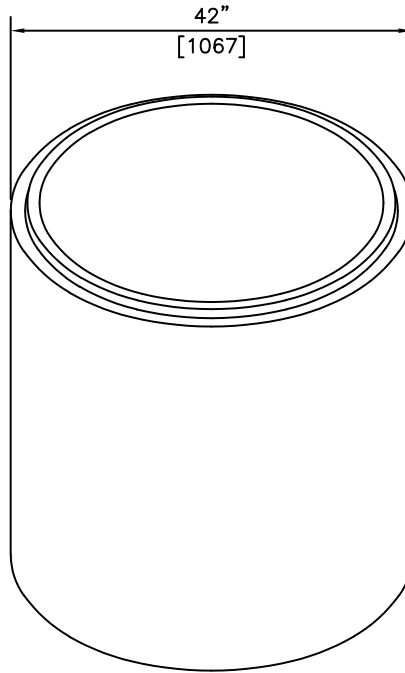
KON KAST
products (2005) Ltd.
"Committed To Quality And Service"

3440 UNIVERSITY WAY
KELOWNA B.C.
V1V 1V9
PH: (250)765-1423
FX: (250)765-0820

BY: 3
DATE: FEB 15 05
SCALE: NTS

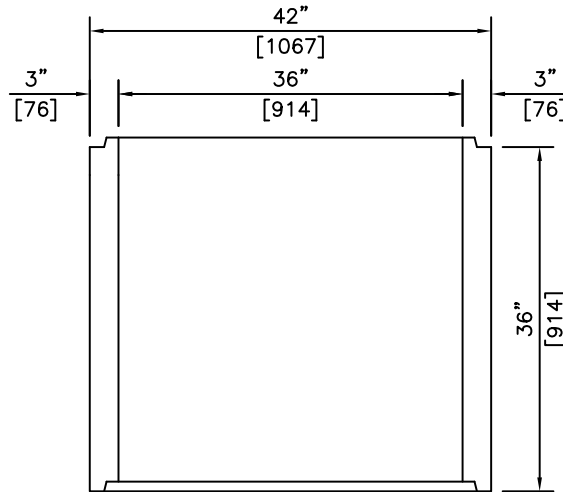
**30" (762)
DIAMETER
WELL RINGS**

ITEM NO.
**307
TO
309**

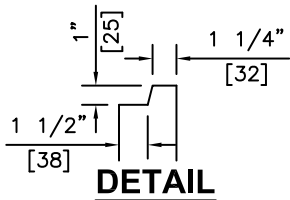


ISOMETRIC

NOTE:
c/w 2-2 3/16" UNI-LIFT
ANCHORS FOR HANDLING



SECTION



DETAIL

ITEM No.	INSIDE DIAMETER	HEIGHT
311	36" (914)	12" (305)
312	36" (914)	24" (610)
313	AS SHOWN	

NOTES:

1) 27.6 MPa @ 28 DAYS

REVISED: MAR 31 2006



KON KAST
products (2005) Ltd.
"Committed To Quality And Service"

3440 UNIVERSITY WAY
KELOWNA B.C.
V1V 1V9
PH: (250)765-1423
FX: (250)765-0820

BY: PKR

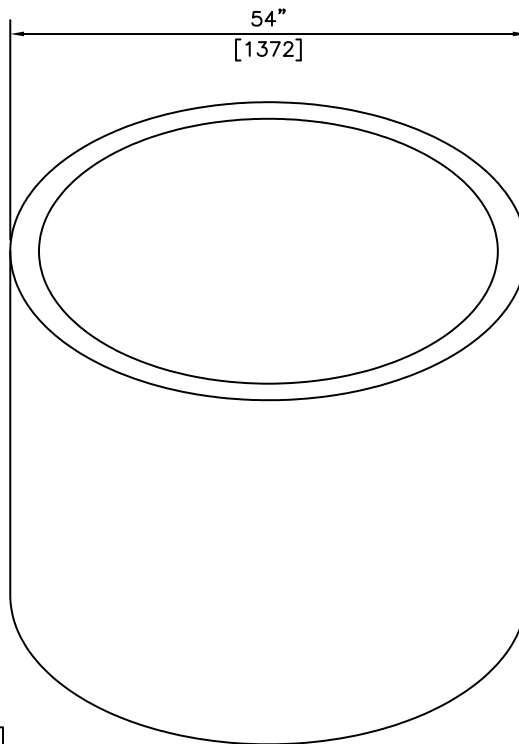
DATE: FEB 15 05

SCALE: NTS

**36" (914)
DIAMETER
WELL RINGS**

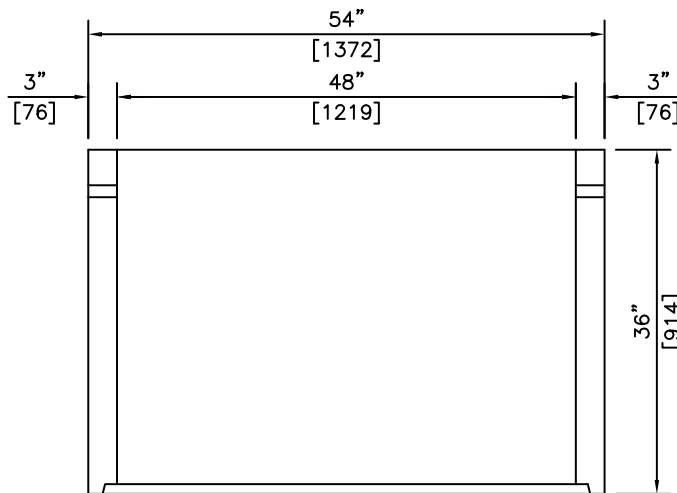
ITEM NO.

**311
TO
313**



NOTE:
HOLE SIZE FOR $\phi 1$ " LIFTING
PINS = $\phi 1 \frac{1}{4}$ "

ISOMETRIC



SECTION

NOTES:

1) 27.6 MPa @ 28 DAYS

ITEM No.	INSIDE DIAMETER	HEIGHT
314	48" (1219)	12" (305)
315	48" (1219)	24" (610)
316	AS SHOWN	

REVISED: MAR 31 2006



"Committed To Quality And Service"

KON KAST

products (2005) Ltd.

3440 UNIVERSITY WAY
KELOWNA B.C.
V1V 1V9

PH: (250)765-1423

FX: (250)765-0820

BY: PKR

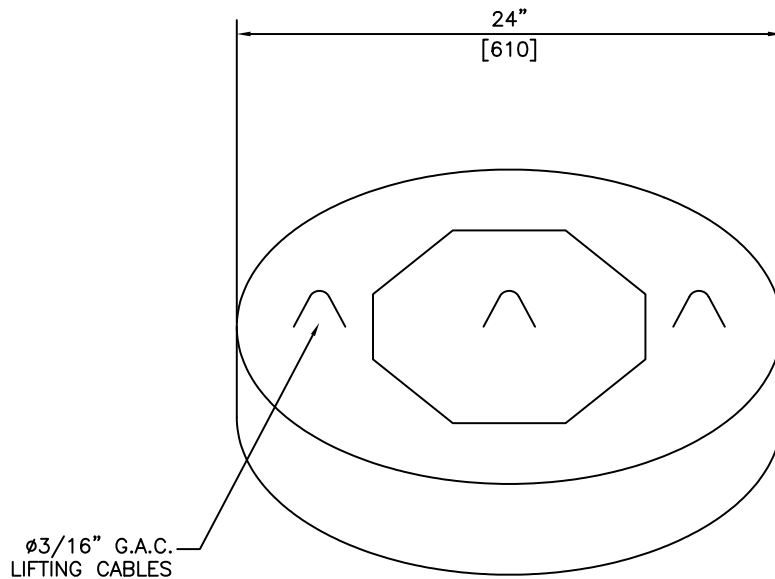
DATE: FEB 15 05

SCALE: NTS

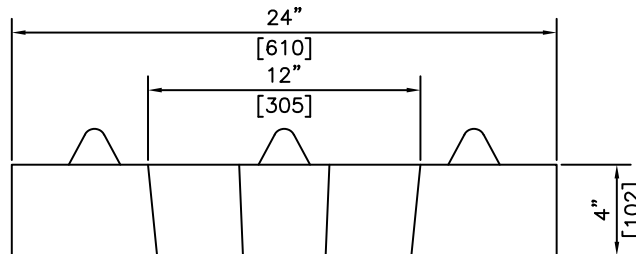
**48" (1219)
DIAMETER
WELL RINGS**

ITEM NO.

**314
TO
316**



ISOMETRIC



SECTION

NOTES:

- 1) 25MPa @ 28 DAYS
- 2) ALSO AVAILABLE IN SOLID 410S

REVISED: FEB 10 2005



KON KAST
products (2005) Ltd.
"Committed To Quality And Service"

3440 UNIVERSITY WAY
KELOWNA B.C.
V1V 1V9
PH: (250)765-1423
FX: (250)765-0820

BY: PKR

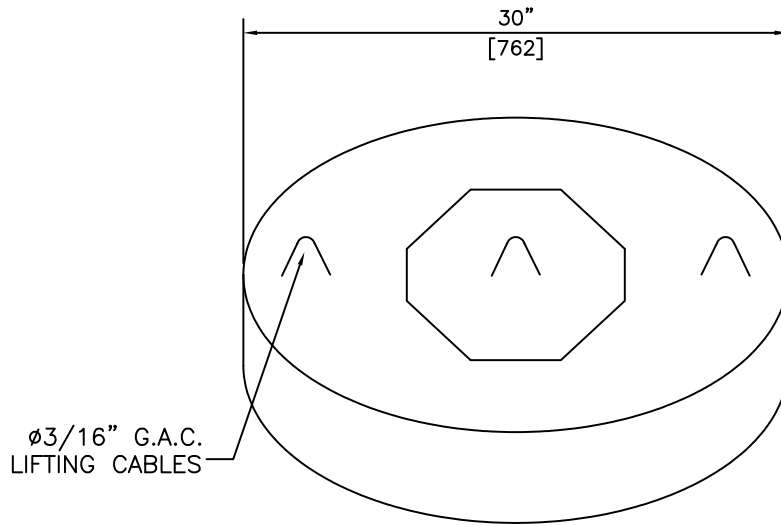
DATE: FEB 10 05

SCALE: NTS

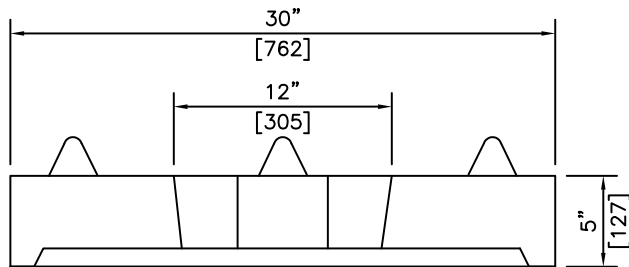
**18" (457) I.D.
WELL RING
LID c/w PLUG**

ITEM NO.

410P



ISOMETRIC



SECTION

NOTES:

- 1) 27.6 MPa @ 28 DAYS
- 2) ALSO AVAILABLE IN SOLID 411S

REVISED: FEB 10 2005



KON KAST
products Ltd.

"Committed To Quality And Service"

3440 UNIVERSITY WAY
KELOWNA B.C.
V1V 1V9
PH: (250)765-1423
FX: (250)765-0820

BY: PKR

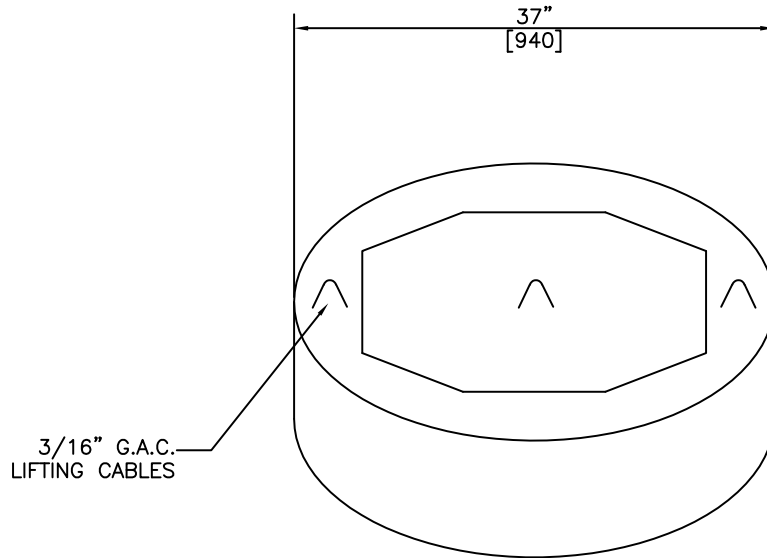
DATE: FEB 10 05

SCALE: NTS

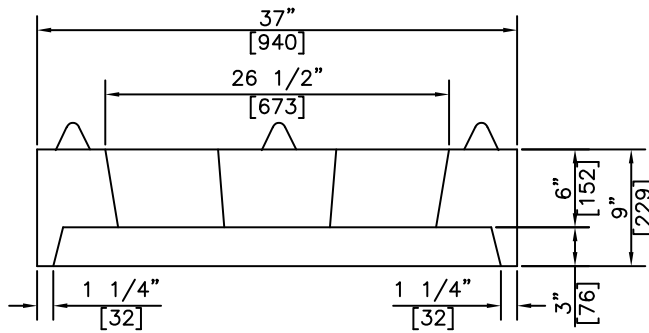
**24" (610) I.D.
WELL RING
LID c/w PLUG**

ITEM NO.

411P



ISOMETRIC



SECTION

NOTES:

1) 25MPa @ 28 DAYS

REVISED: FEB 10 2005



KON KAST

products (2005) Ltd.
"Committed To Quality And Service"

3440 UNIVERSITY WAY
KELOWNA B.C.
V1V 1V9
PH: (250)765-1423
FX: (250)765-0820

BY: PKR

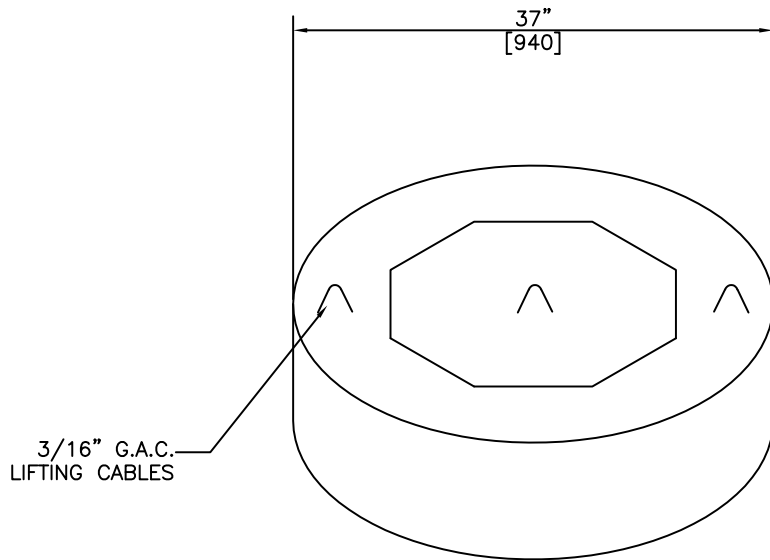
DATE: FEB 10 05

SCALE: NTS

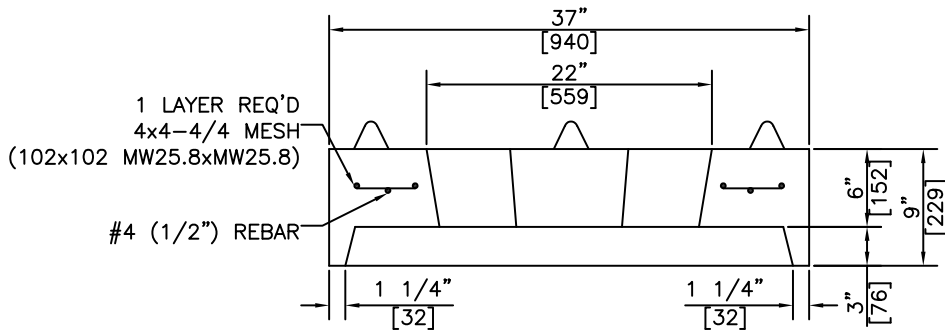
30" (762) I.D.
WELL RING LID
PAY N SAVE PLUG

ITEM NO.

412LP



ISOMETRIC



SECTION

NOTES:

- 1) 25MPa @ 28 DAYS
- 2) ALSO AVAILABLE AS SOLID 412S

REVISED: FEB 10 2005



KON KAST
products (2005) Ltd.

"Committed To Quality And Service"

3440 UNIVERSITY WAY
KELOWNA B.C.
V1V 1V9
PH: (250)765-1423
FX: (250)765-0820

BY: PKR

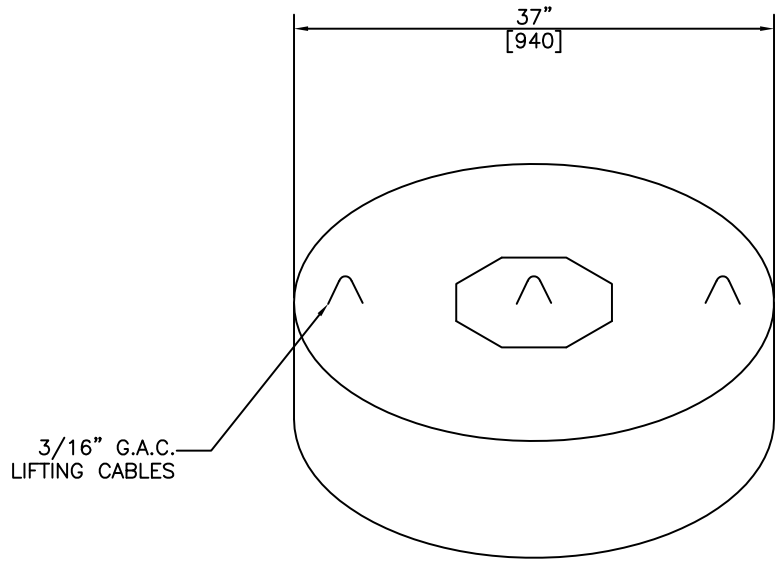
DATE: FEB 10 05

SCALE: NTS

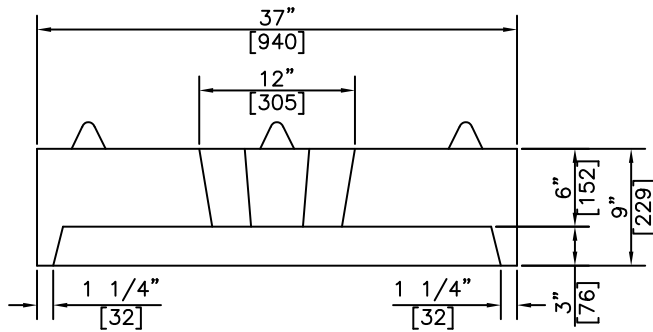
30" (762) I.D.
WELL RING LID
c/w 22" PLUG

ITEM NO.

412P



ISOMETRIC



SECTION

NOTES:

1) 25 MPa @ 28 DAYS

REVISED: FEB 10 2005



"Committed To Quality And Service"

KON KAST

products (2005) Ltd.

3440 UNIVERSITY WAY
KELOWNA B.C.
V1V 1V9

PH: (250)765-1423

FX: (250)765-0820

BY: PKR

DATE: FEB 10 05

SCALE: NTS

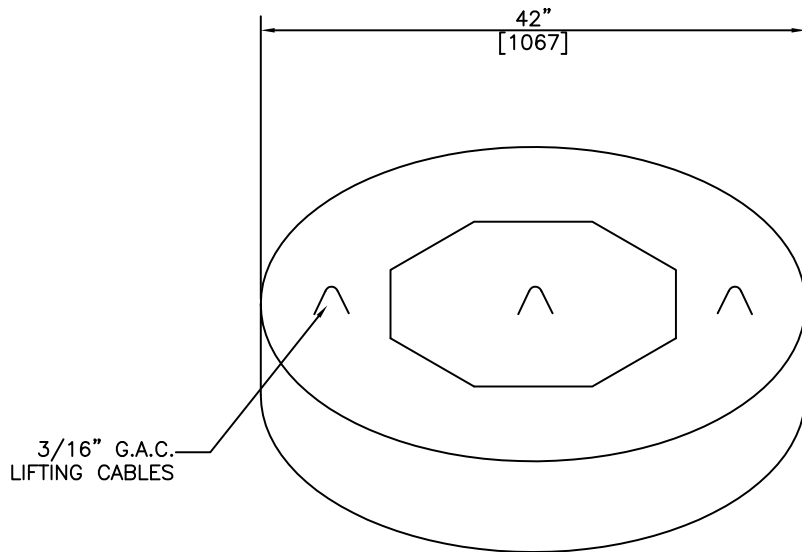
30" (762) I.D.

WELL RING LID

c/w SMALL PLUG

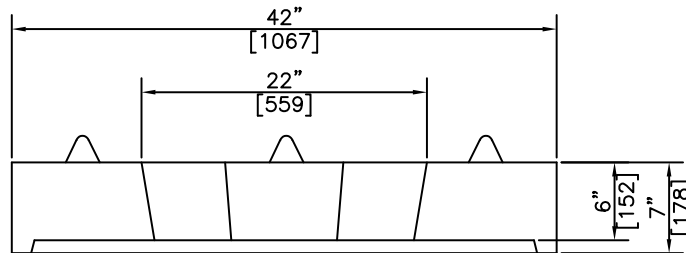
ITEM NO.

412SP



3/16" G.A.C.
LIFTING CABLES

ISOMETRIC



SECTION

NOTES:

- 1) 25 MPa @ 28 DAYS
- 2) ALSO AVAILABLE AS SOLID 413S

REVISED: FEB 10 2005



"Committed To Quality And Service"

KON KAST

products (2005) Ltd.

3440 UNIVERSITY WAY
KELOWNA B.C.
V1V 1V9

PH: (250)765-1423
FX: (250)765-0820

BY: PKR

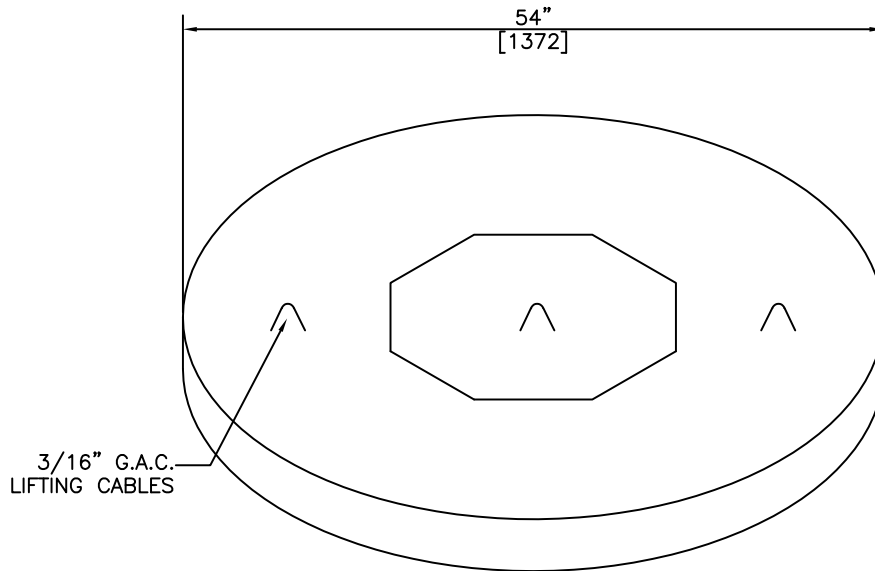
DATE: FEB 10 05

SCALE: NTS

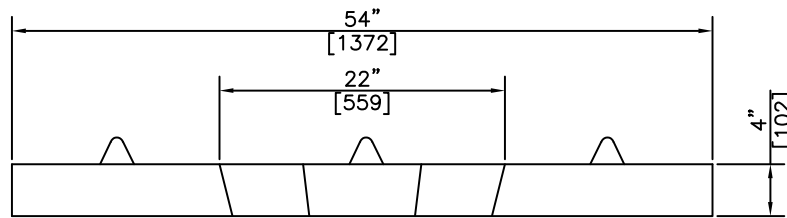
**36" (914) I.D.
WELL RING LID
c/w 22" PLUG**

ITEM NO.

413P



ISOMETRIC



SECTION

NOTES:

- 1) 25 MPa @ 28 DAYS
- 2) ALSO AVAILABLE AS SOLID 414S

REVISED: FEB 11 2005



KON KAST
products (2005) Ltd.

"Committed To Quality And Service"

3440 UNIVERSITY WAY
KELOWNA B.C.
V1V 1V9

PH: (250)765-1423
FX: (250)765-0820

BY: PKR

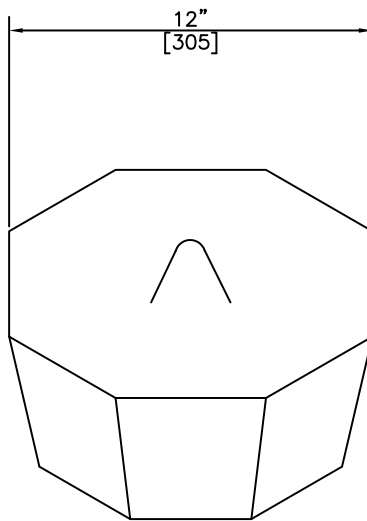
DATE: FEB 10 05

SCALE: NTS

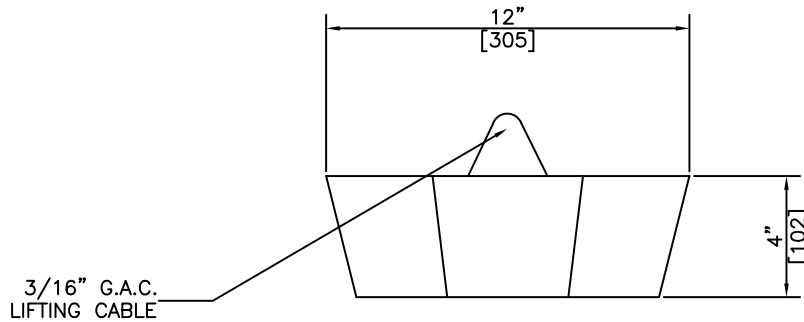
48" (1219) I.D.
WELL RING LID
c/w 22" PLUG

ITEM NO.

414P



ISOMETRIC



SECTION

NOTES:

1) 25 MPa @ 28 DAYS

REVISED: FEB 10 2005



"Committed To Quality And Service"

KON KAST

products (2005) Ltd.

3440 UNIVERSITY WAY
KELOWNA B.C.
V1V 1V9

PH: (250)765-1423

FX: (250)765-0820

BY: PKR

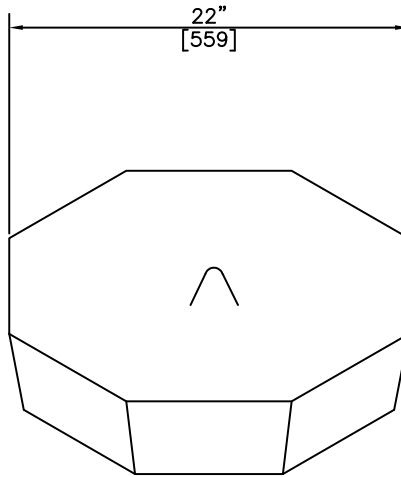
DATE: FEB 10 05

SCALE: NTS

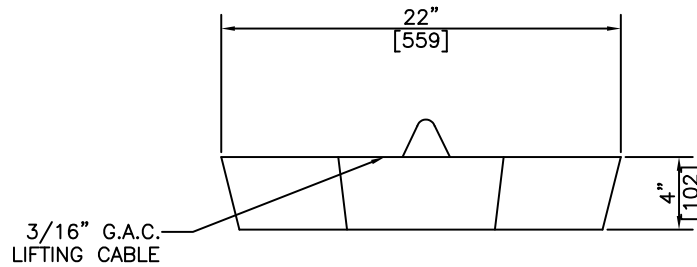
12"
WELL RING
PLUG

ITEM NO.

425



ISOMETRIC




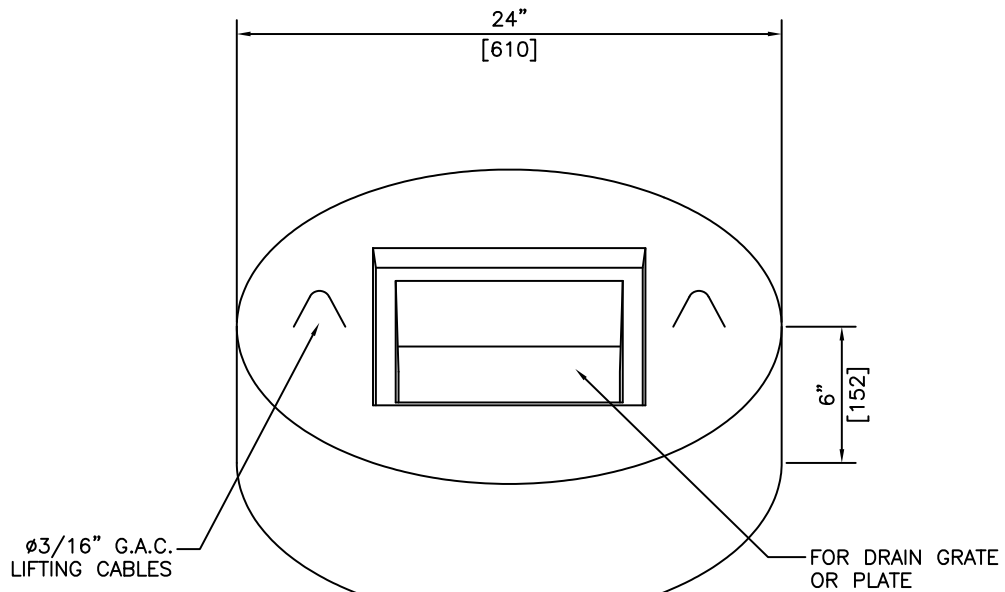
SECTION

NOTES:

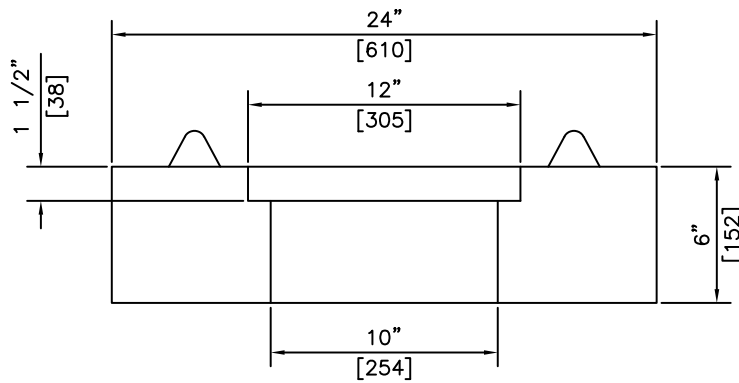
1) 25 MPa @ 28 DAYS

REVISED: FEB 10 2005

 <p>KON KAST products (2005) Ltd. "Committed To Quality And Service"</p>	<p>3440 UNIVERSITY WAY KELOWNA B.C. V1V 1V9 PH: (250)765-1423 FX: (250)765-0820</p>	BY: PKR	<p>22" WELL RING PLUG</p>	ITEM NO.
		DATE: FEB 10 05		<p>426</p>
		SCALE: NTS		



ISOMETRIC



SECTION

NOTES:

1) 25 MPa @ 28 DAYS

REVISED: FEB 10 2005



KON KAST

products (2005) Ltd.
"Committed To Quality And Service"

3440 UNIVERSITY WAY
KELOWNA B.C.
V1V 1V9
PH: (250)765-1423
FX: (250)765-0820

BY: PKR

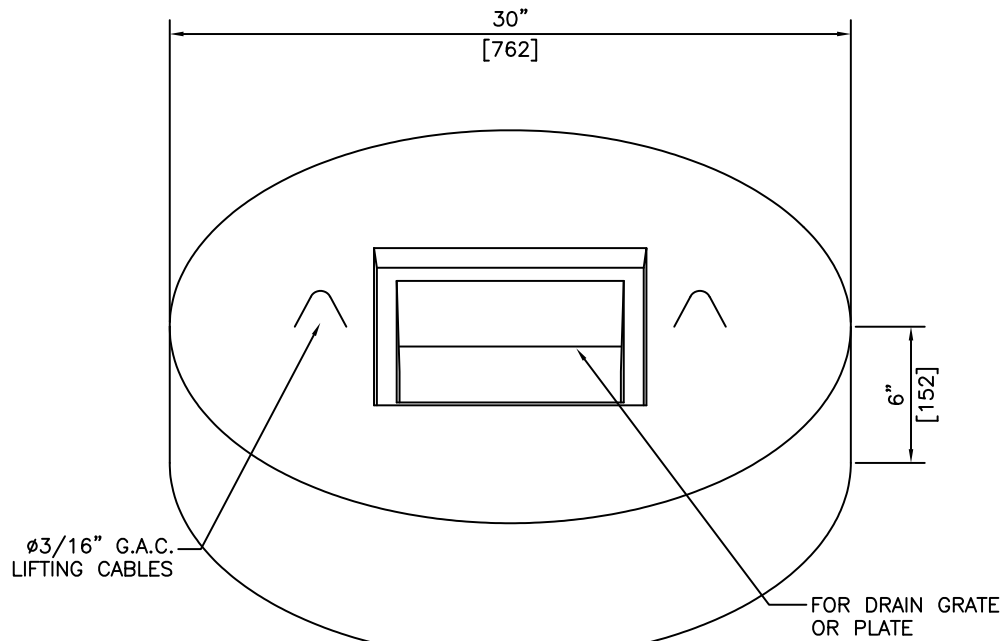
DATE: FEB 10 05

SCALE: NTS

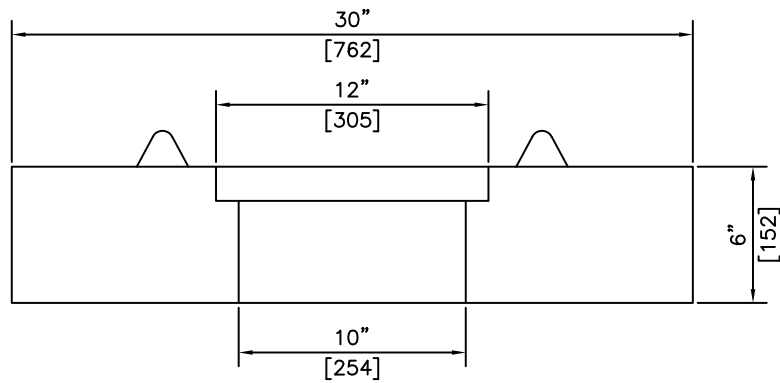
18" (457) I.D.
WELL RING LID
c/w 11" x 11" HOLE

ITEM NO.

510



ISOMETRIC



SECTION

NOTES:

- 1) 27.6 MPa @ 28 DAYS
- 2) MEETS H-20 LOADING

REVISED: FEB 10 2005



KON KAST

products (2005) Ltd.
"Committed To Quality And Service"

3440 UNIVERSITY WAY
KELOWNA B.C.
V1V 1V9
PH: (250)765-1423
FX: (250)765-0820

BY: PKR

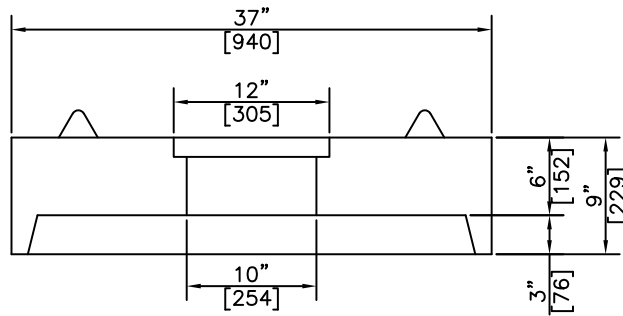
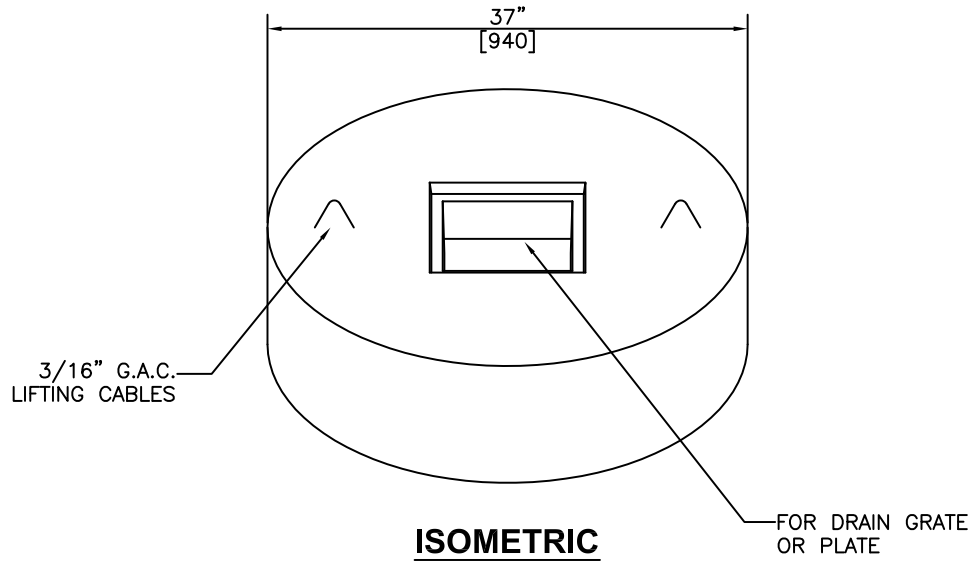
DATE: FEB 10 05

SCALE: NTS

24" (610) I.D.
WELL RING LID
c/w 11" x 11" HOLE

ITEM NO.


511

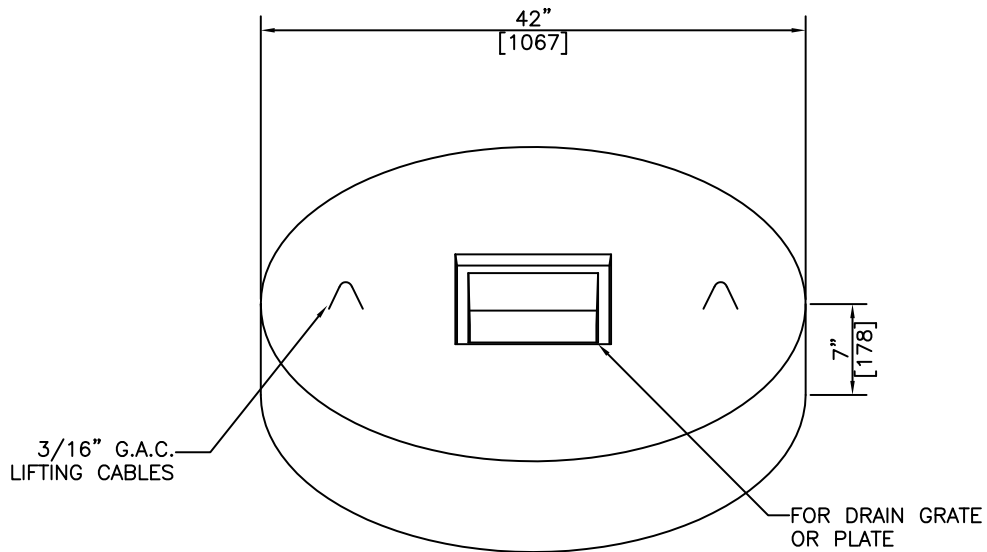


NOTES:

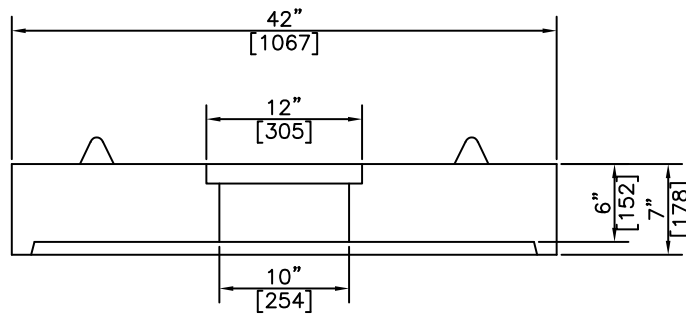
- 1) 27.6 MPa @ 28 DAYS
- 2) MEETS H-20 LOADING

REVISED: FEB 10 2005

 KON KAST products (2005) Ltd. "Committed To Quality And Service"	3440 UNIVERSITY WAY KELOWNA B.C. V1V 1V9 PH: (250)765-1423 FX: (250)765-0820	BY: PKR DATE: FEB 10 05 SCALE: NTS	30" (762) I.D. WELL RING LID c/w 11" x 11" HOLE	ITEM NO. 512



ISOMETRIC



SECTION

NOTES:

- 1) 27.6 MPa @ 28 DAYS
- 2) MEETS H-20 LOADING

REVISED: FEB 10 2005



KON KAST

products (2005) Ltd.
"Committed To Quality And Service"

3440 UNIVERSITY WAY
KELOWNA B.C.
V1V 1V9
PH: (250)765-1423
FX: (250)765-0820

BY: PKR

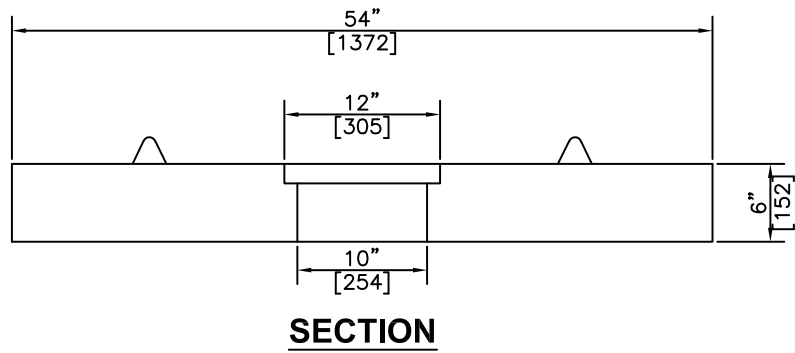
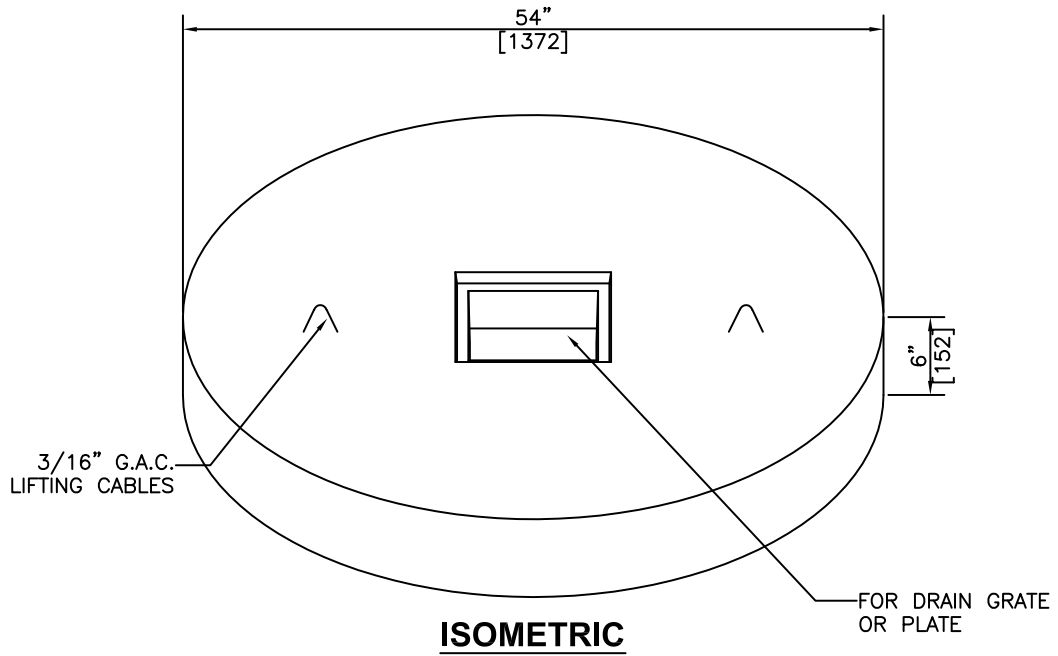
DATE: FEB 10 05

SCALE: NTS

36" (914) I.D.
WELL RING LID
c/w 11" x 11" HOLE

ITEM NO.

513



NOTES:

- 1) 27.6 MPa @ 28 DAYS
- 2) MEETS H-20 LOADING

REVISED: FEB 11 2005



"Committed To Quality And Service"

KON KAST

products (2005) Ltd.

3440 UNIVERSITY WAY
KELOWNA B.C.
V1V 1V9

PH: (250)765-1423
FX: (250)765-0820

BY: PKR

DATE: FEB 10 05

SCALE: NTS

**48" (1219) I.D.
WELL RING LID
c/w 11" x 11" HOLE**

ITEM NO.

514