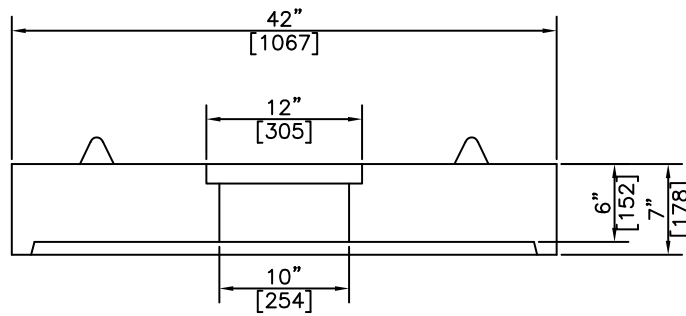


**ISOMETRIC**



**SECTION**

**NOTES:**

- 1) 27.6 MPa @ 28 DAYS
- 2) MEETS H-20 LOADING

REVISED: FEB 10 2005



"Committed To Quality And Service"

**KON KAST**

products (2005) Ltd.

3440 UNIVERSITY WAY  
KELOWNA B.C.  
V1V 1V9

PH: (250)765-1423  
FX: (250)765-0820

BY: PKR

DATE: FEB 10 05

SCALE: NTS

**36" (914) I.D.**

**WELL RING LID**

**c/w 11" x 11" HOLE**

ITEM NO.

**513**