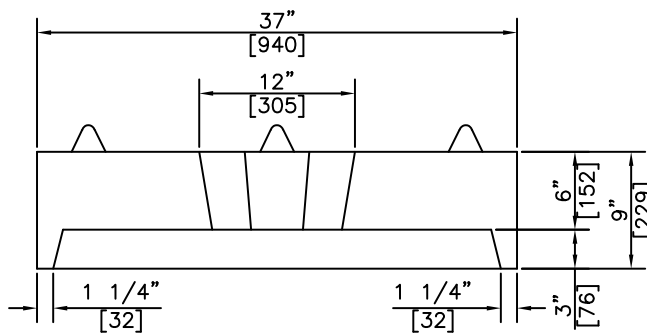


ISOMETRIC



SECTION

NOTES:

1) 25 MPa @ 28 DAYS

REVISED: FEB 10 2005



KON KAST
products (2005) Ltd.
"Committed To Quality And Service"

3440 UNIVERSITY WAY
KELOWNA B.C.
V1V 1V9
PH: (250)765-1423
FX: (250)765-0820

BY: PKR

DATE: FEB 10 05

SCALE: NTS

30" (762) I.D.
WELL RING LID
c/w SMALL PLUG

ITEM NO.

412SP