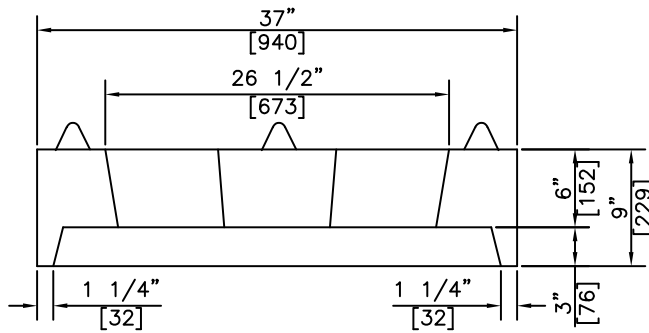


**ISOMETRIC**



**SECTION**

**NOTES:**

1) 25MPa @ 28 DAYS

REVISED: FEB 10 2005



**KON KAST**

products (2005) Ltd.  
"Committed To Quality And Service"

3440 UNIVERSITY WAY  
KELOWNA B.C.  
V1V 1V9  
PH: (250)765-1423  
FX: (250)765-0820

BY: PKR

DATE: FEB 10 05

SCALE: NTS

**30" (762) I.D.  
WELL RING LID  
PAY N SAVE PLUG**

ITEM NO.

**412LP**