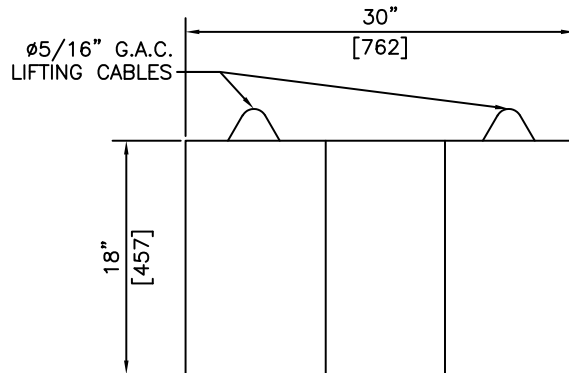


ISOMETRIC



SECTION

NOTES:

1) 27.6MPa @ 28 DAYS

REVISED: MAR 11 2005



"Committed To Quality And Service"

KON KAST

products (2005) Ltd.

3440 UNIVERSITY WAY
KELOWNA B.C.
V1V 1V9

PH: (250)765-1423

FX: (250)765-0820

BY: PKR

DATE: MAR 11 05

SCALE: NTS

45° THRUST BLOCK

ITEM NO.

1476