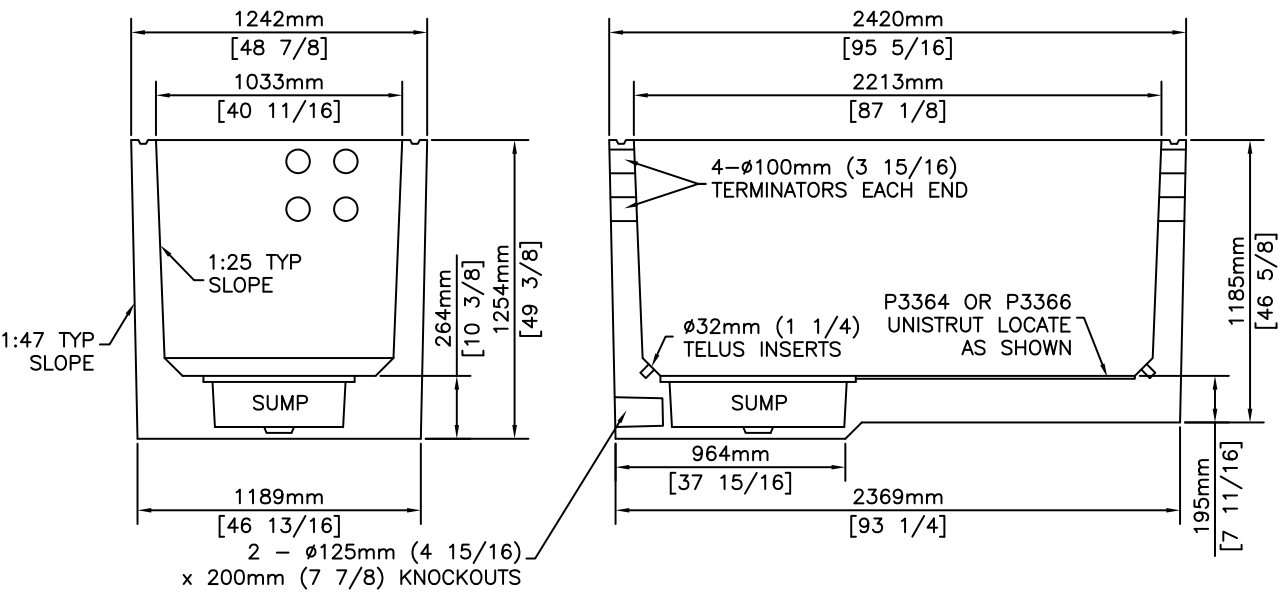



ISOMETRIC



SECTIONS

- NOTES:**
 1) 30 MPa @ 28 DAYS
 2) MEETS H-20 LOADING
 3) TYPE 50 CONCRETE

REVISED: MAR 8 2005

| | | | | |
|--|--|----------------|--|--------------|
|  <p>KON KAST products (2005) Ltd. "Committed To Quality And Service"</p> | 3440 UNIVERSITY WAY KELOWNA B.C. V1V 1V9 PH: (250)765-1423 FX: (250)765-0820 | BY: PKR | PLMH 2102 MINI MANHOLE BOTTOM | ITEM NO. |
| | | DATE: MAR 8 05 | | 1156B |
| | | SCALE: NTS | | |