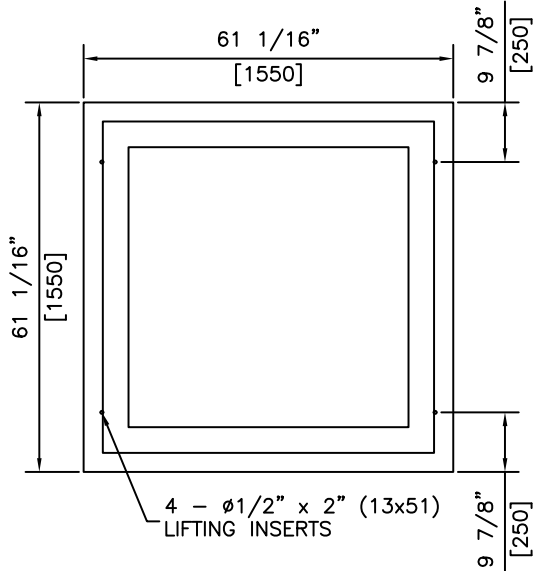
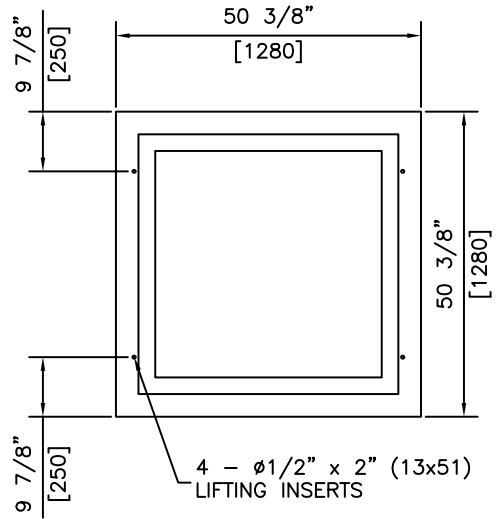


**150mm SPACER - 1.5 SERVICE BOX
ITEM #1142**

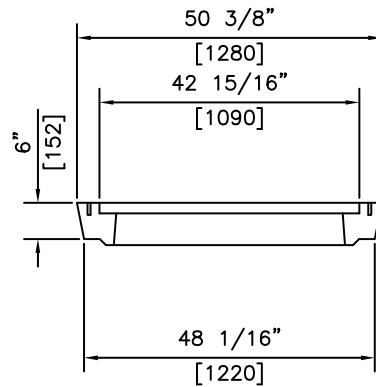
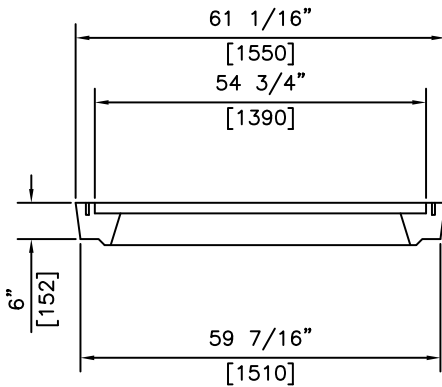


PLAN VIEW

**150mm SPACER - 1.2 SERVICE BOX
ITEM #1143**



PLAN VIEW



SECTIONS

NOTES:

- 1) 30 MPa @ 28 DAYS
- 2) MEETS H-20 LOADING
- 3) TYPE 50 CONCRETE

REVISED: MAY 3 2006



KON KAST

products (2005) Ltd.
"Committed To Quality And Service"

3440 UNIVERSITY WAY
KELOWNA B.C.
V1V 1V9
PH: (250)765-1423
FX: (250)765-0820

BY: PKR

DATE: MAR 7 05

SCALE: NTS

**TELUS 1.2 SERVICE
VAULT SPACER AND 1.5
SERVICE VAULT SPACER**

ITEM NO.

1142/1143