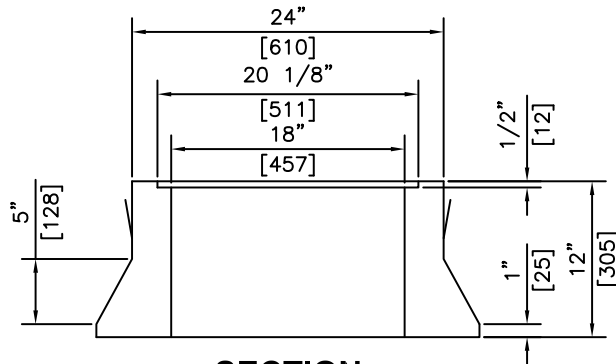
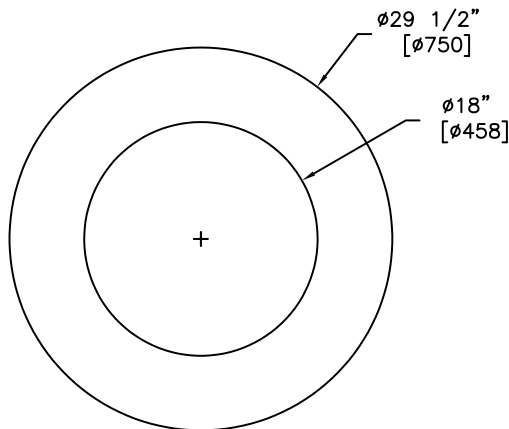


TOP VIEW



SECTION



BOTTOM VIEW

NOTES:

- 1) 30 MPa @ 28 DAYS
- 2) MEETS H-20 LOADING
- 3) TYPE 50 CONCRETE

REVISED: MAR 7 2005



KON KAST
products (2005) Ltd.
"Committed To Quality And Service"

3440 UNIVERSITY WAY
KELOWNA B.C.
V1V 1V9
PH: (250)765-1423
FX: (250)765-0820

BY: PKR
DATE: MAR 7 05
SCALE: NTS

**TELUS
L.T.S.
RISER**

ITEM NO.
1140