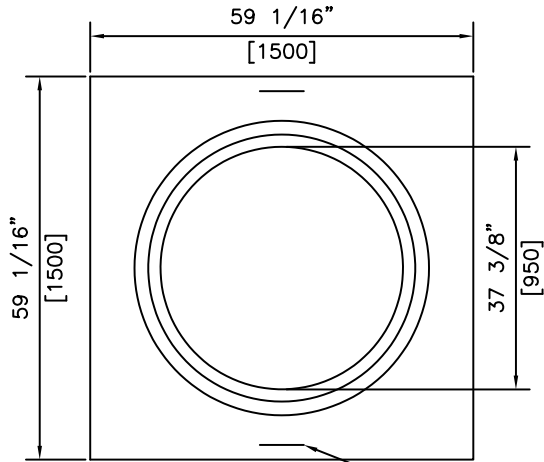


1.5 SERVICE VAULT CIRCULAR LID

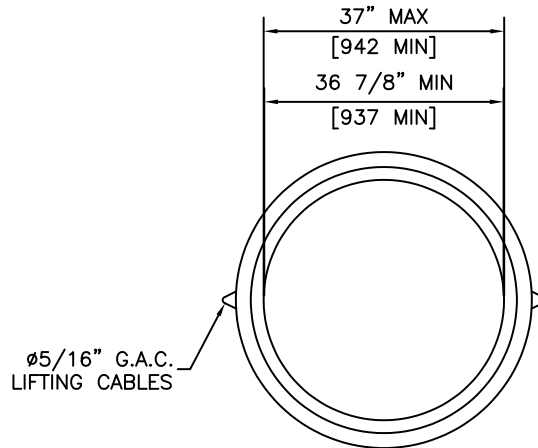
(ITEM 1135)



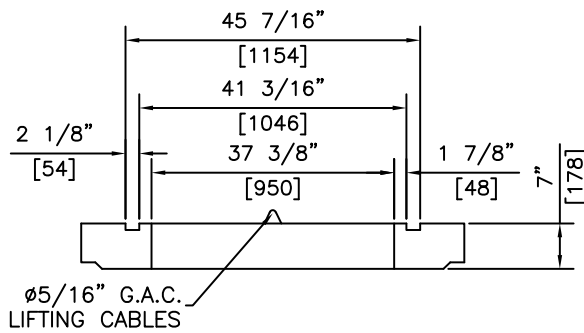
PLAN

TELEPHONE EXTENSION RING

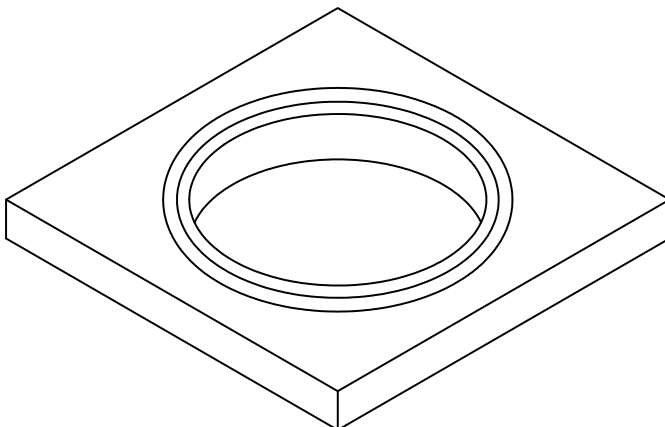
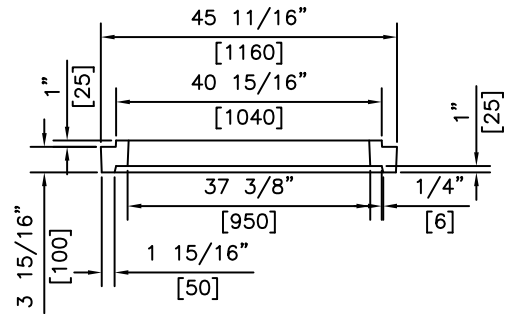
(ITEM 1135)



PLAN



SECTION



PLAN

ALL MEASUREMENTS ARE IN MILLIMETRES

ITEM # 1135 AVAILABLE IN 100mm HEIGHT

WEIGHT = 62Kg

ITEM # 1136 AVAILABLE IN 125mm HEIGHT

WEIGHT = 103Kg

ITEM # 1137 AVAILABLE IN 150mm HEIGHTS

WEIGHT = 124Kg

TOTAL DEAD WEIGHT OF 1.5M SERVICE VAULT CIRCULAR LID IS 680 Kg

NOTES:

- 1) 30 MPa @ 28 DAYS
- 2) MEETS H-20 LOADING
- 3) TYPE 50 CONCRETE

REVISED: MAR 4 2005



KON KAST

products (2005) Ltd.
"Committed To Quality And Service"

3440 UNIVERSITY WAY
KELOWNA B.C.
V1V 1V9
PH: (250)765-1423
FX: (250)765-0820

BY: PKR

DATE: MAR 4 05

SCALE: NTS

TELUS 1.5M SERVICE VAULT CIRCULAR LID AND EXTENSION RING

ITEM NO.

1125/1135