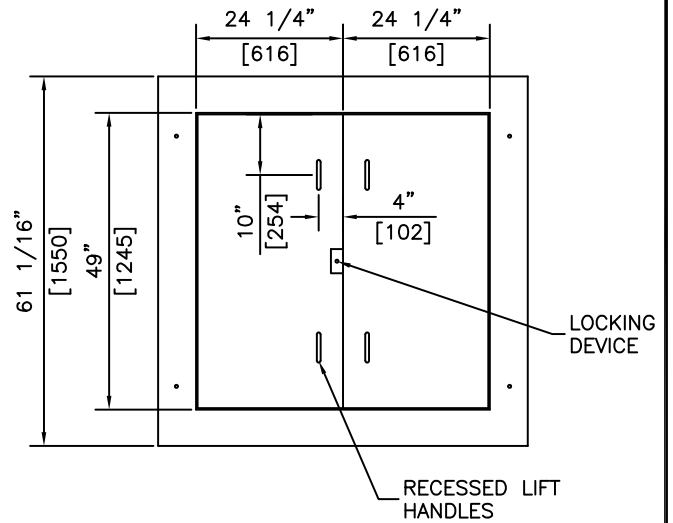
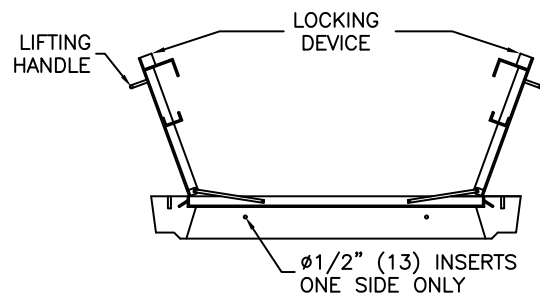
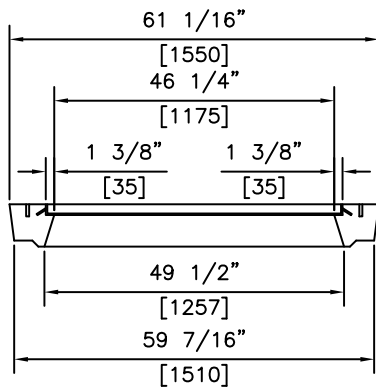


**PLAN VIEW**  
**CONC. LID & GALV. FRAME**



**PLAN VIEW**  
**CONC. LID & STEEL DOORS**



**SECTIONS**

**NOTES:**

- 1) 27.6 MPa @ 28 DAYS
- 2) MEETS H-20 LOADING
- 3) TYPE 50 CONCRETE

REVISED: MAY 3 2006



"Committed To Quality And Service"

**KON KAST**

products (2005) Ltd.

3440 UNIVERSITY WAY  
KELOWNA B.C.  
V1V 1V9  
PH: (250)765-1423  
FX: (250)765-0820

BY: PKR

DATE: MAR 4 2005

SCALE: NTS

**TELUS**

**1.5M SERVICE VAULT  
LID H-20 LOADING**

ITEM NO.

**1120**