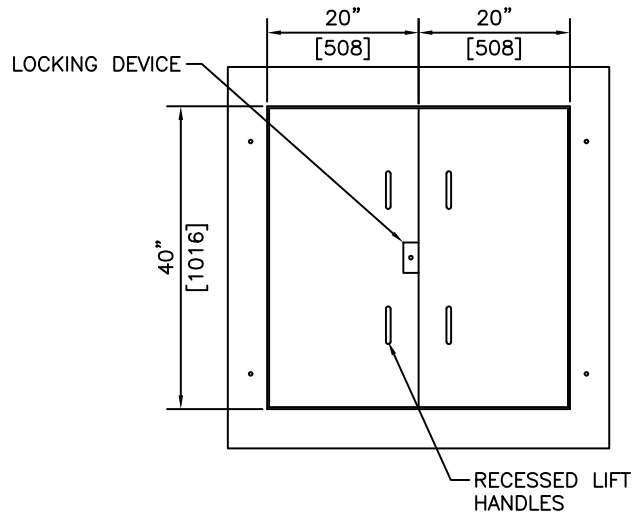
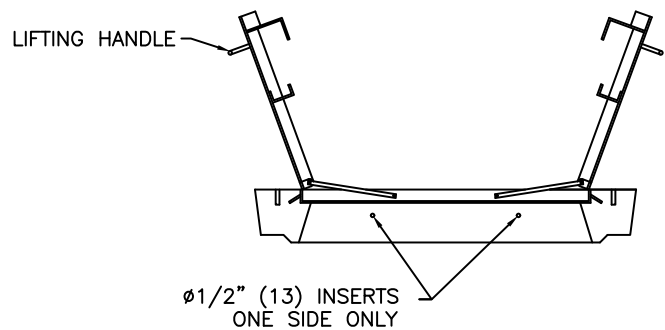
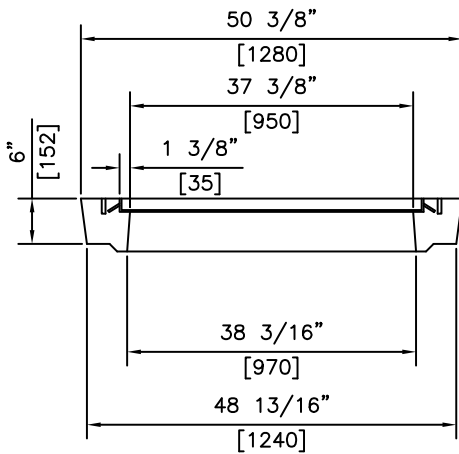


**PLAN VIEW**  
**CONC. LID & GALV. FRAME**



**PLAN VIEW**  
**CONC. LID & STEEL DOORS**



**SECTIONS**

**NOTES:**

- 1) 30 MPa @ 28 DAYS
- 2) MEETS H-20 LOADING
- 3) TYPE 50 CONCRETE

REVISED: MAY 3 2006



products (2005) Ltd.  
"Committed To Quality And Service"

3440 UNIVERSITY WAY  
KELOWNA B.C.  
V1V 1V9  
PH: (250)765-1423  
FX: (250)765-0820

BY: PKR

DATE: MAR 3 50

SCALE: NTS

**TELUS**  
**1.2M SERVICE VAULT**  
**LID - H20 LOADING**

ITEM NO.

**1110**