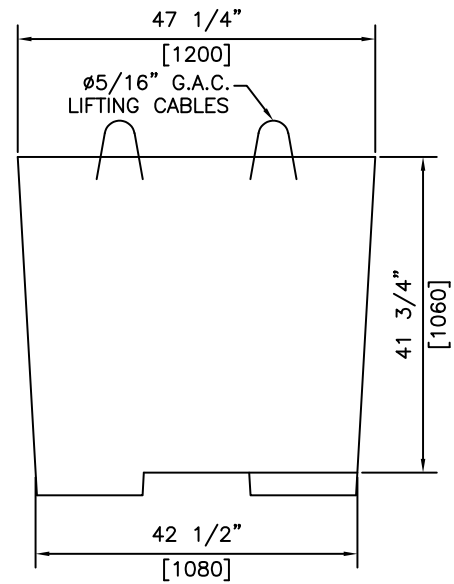
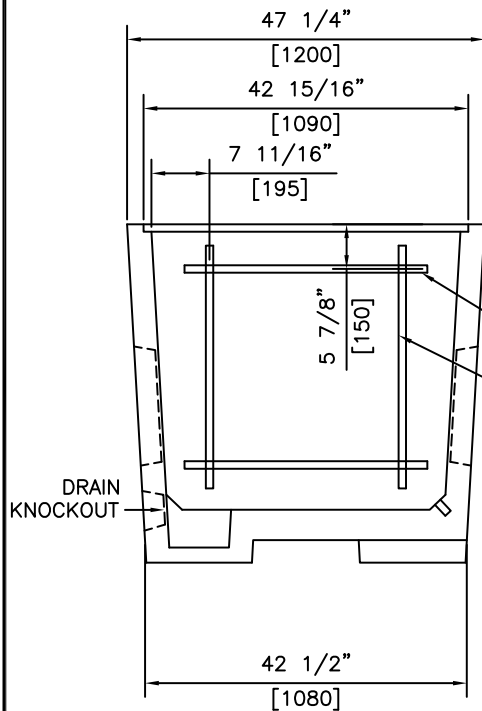


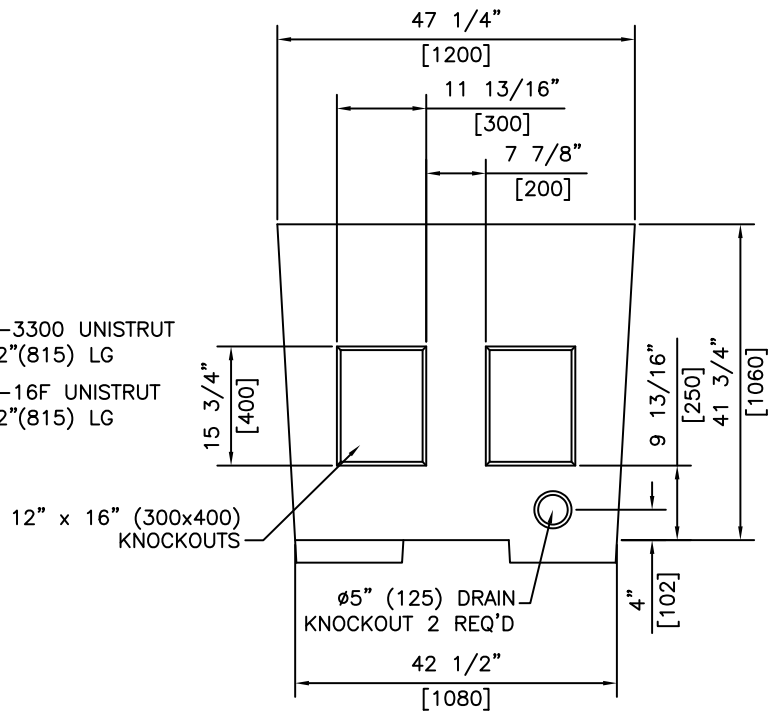
**SECTION**



**ELEVATION - FRONT VIEW**



**SECTION**



**ELEVATION - SIDE VIEW**

**NOTES:**

- 1) 30 MPa @ 28 DAYS
- 2) MEETS H-20 LOADING
- 3) TYPE 50 CONCRETE

REVISED: MAY 3 2006



**KON KAST**

products (2005) Ltd.  
 "Committed To Quality And Service"

3440 UNIVERSITY WAY  
 KELOWNA B.C.  
 V1V 1V9  
 PH: (250)765-1423  
 FX: (250)765-0820

BY: PKR

DATE: MAR 3 05

SCALE: NTS

**TELUS**  
**1.2M SERVICE**  
**VAULT**

ITEM NO.

**1105**