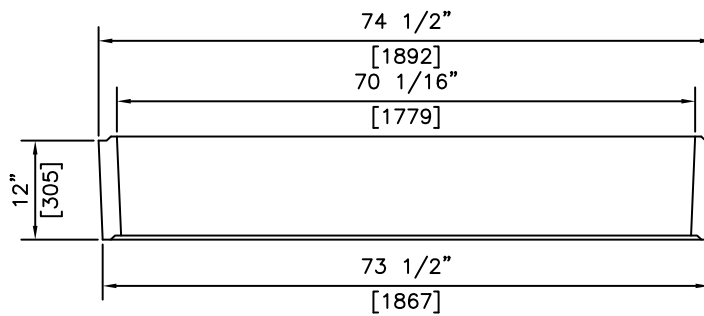
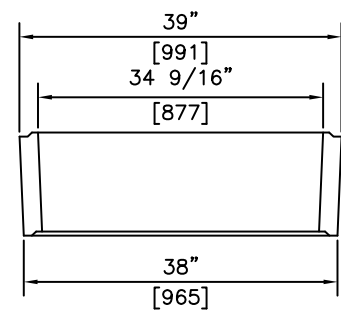


$\varnothing 5/16$ " G.A.C. LIFTING CABLE
 BREAKING STRENGTH = 9800LBS (4445KG)
 ONE OFFSET ON EACH SIDE WALL

ISOMETRIC



SECTION




END VIEW

NOTES:

- 1) 30 MPa @ 28 DAYS
- 2) MEETS H-20 LOADING
- 3) TYPE 50 CONCRETE

REVISED: MAR 3 2005

 KON KAST products (2005) Ltd. "Committed To Quality And Service"	3440 UNIVERSITY WAY KELOWNA B.C. V1V 1V9 PH: (250)765-1423 FX: (250)765-0820	BY: PKR	1102 SPLICE BOX 12" (305) RISER	ITEM NO.
		DATE: MAR 3 05		1102R12
		SCALE: NTS		