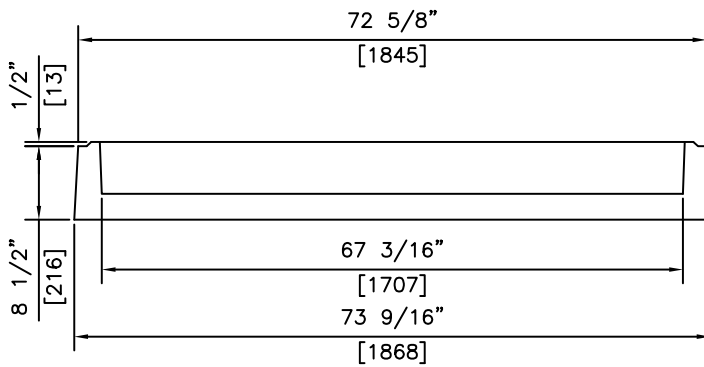
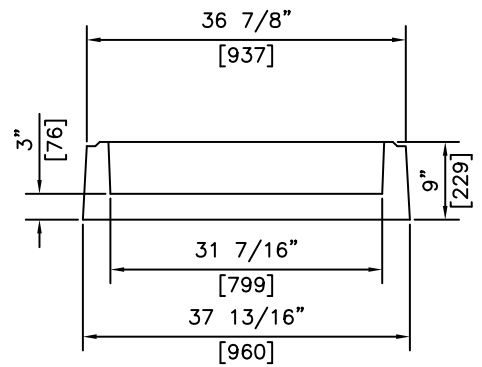


**ISOMETRIC**



**SECTION**



**END VIEW**

**NOTES:**

- 1) 30 MPa @ 28 DAYS
- 2) MEETS H-20 LOADING
- 3) TYPE 50 CONCRETE

REVISED: MAY 3 2006



"Committed To Quality And Service"

**KON KAST**

products (2005) Ltd.

3440 UNIVERSITY WAY  
KELOWNA B.C.  
V1V 1V9

PH: (250)765-1423

FX: (250)765-0820

BY: PKR

DATE: MAR 3 05

SCALE: NTS

**SPLICE BOX BASE**

ITEM NO.

**1102B**