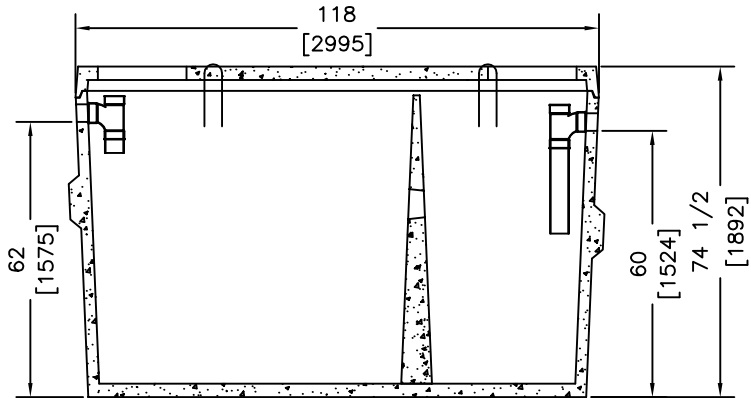
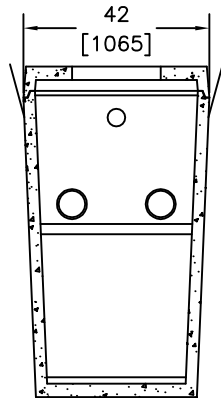
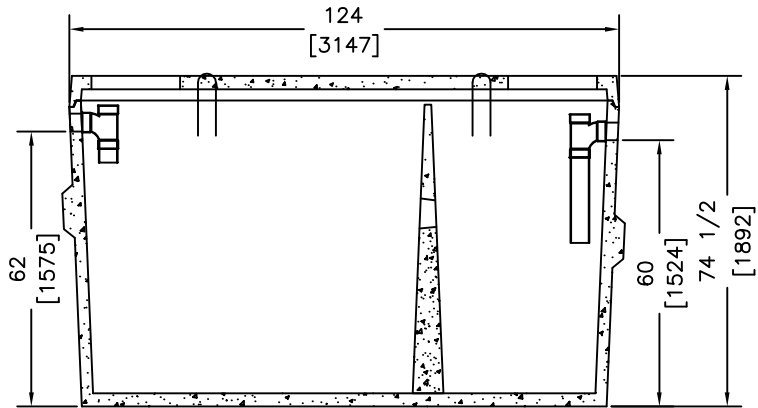
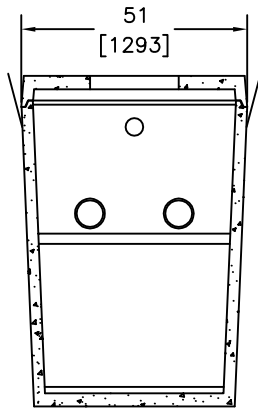


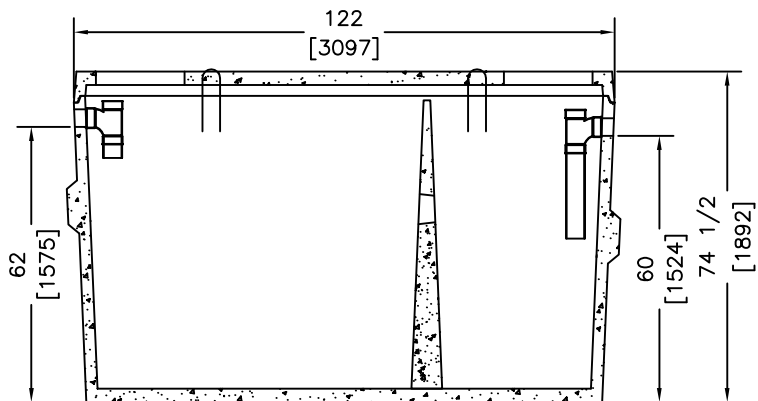
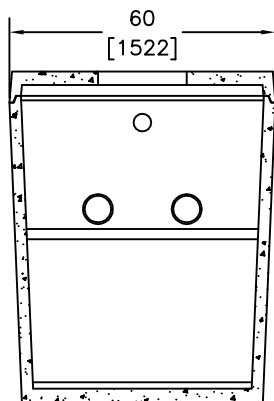
MEASUREMENTS SHOWN ARE MAXIMUM DIMENSIONS
 (ENDVIEW AND SIDEVIEW SHOWN) INLET AND OUTLET MEASUREMENTS
 ARE FROM UNDERSIDE OF FLOOR SLAB TO PIPE INVERT.



750 GAL (3405L) 1 PIECE 2 COMPARTMENT



1000 GAL (4540L) 1 PIECE 2 COMPARTMENT



1200 GAL (5450L) 1 PIECE 2 COMPARTMENT

WEIGHT: kg

REVISED: OCT 1 2019



KON KAST
 products (2005) ltd.

ph: (250) 765 1423
 fx: (250) 765 0820
 www.konkast.com

"Committed To Quality And Service"

DESCRIPTION

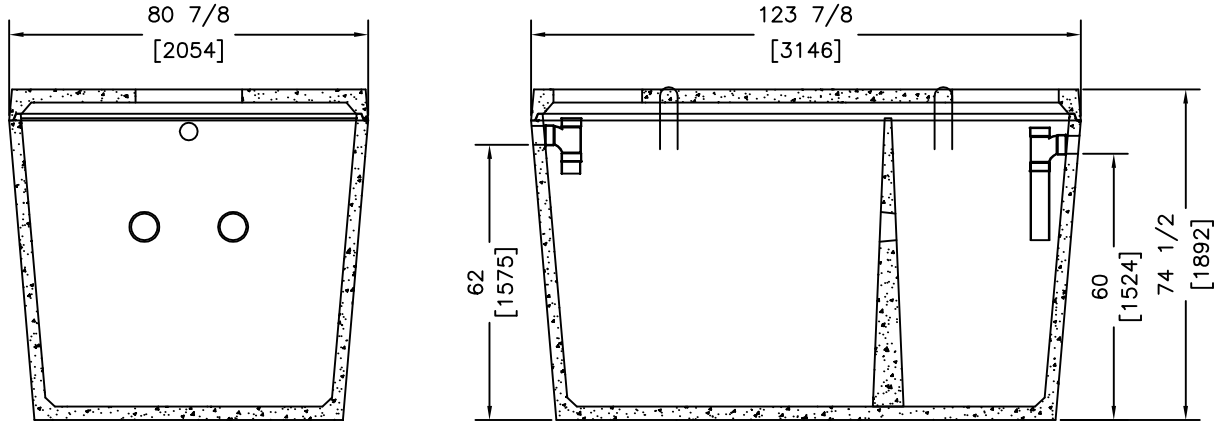
**RESIDENTIAL 1 PIECE
 2 COMPARTMENT
 SEPTIC TANKS**

DRAWN BY: PKR
 DATE: DEC 2 05
 SCALE: NTS

DRAWING:

100A

MEASUREMENTS SHOWN ARE MAXIMUM DIMENSIONS
 (ENDVIEW AND SIDEVIEW SHOWN) INLET AND OUTLET MEASUREMENTS
 ARE FROM UNDERSIDE OF FLOOR SLAB TO PIPE INVERT.



1500 GAL (6810L) 1 PIECE 2 COMPARTMENT

WEIGHT: kg

REVISED: OCT 1 2019



KON KAST
 products (2005) ltd.

ph: (250) 765 1423
 fx: (250) 765 0820
 www.konkast.com

"Committed To Quality And Service"

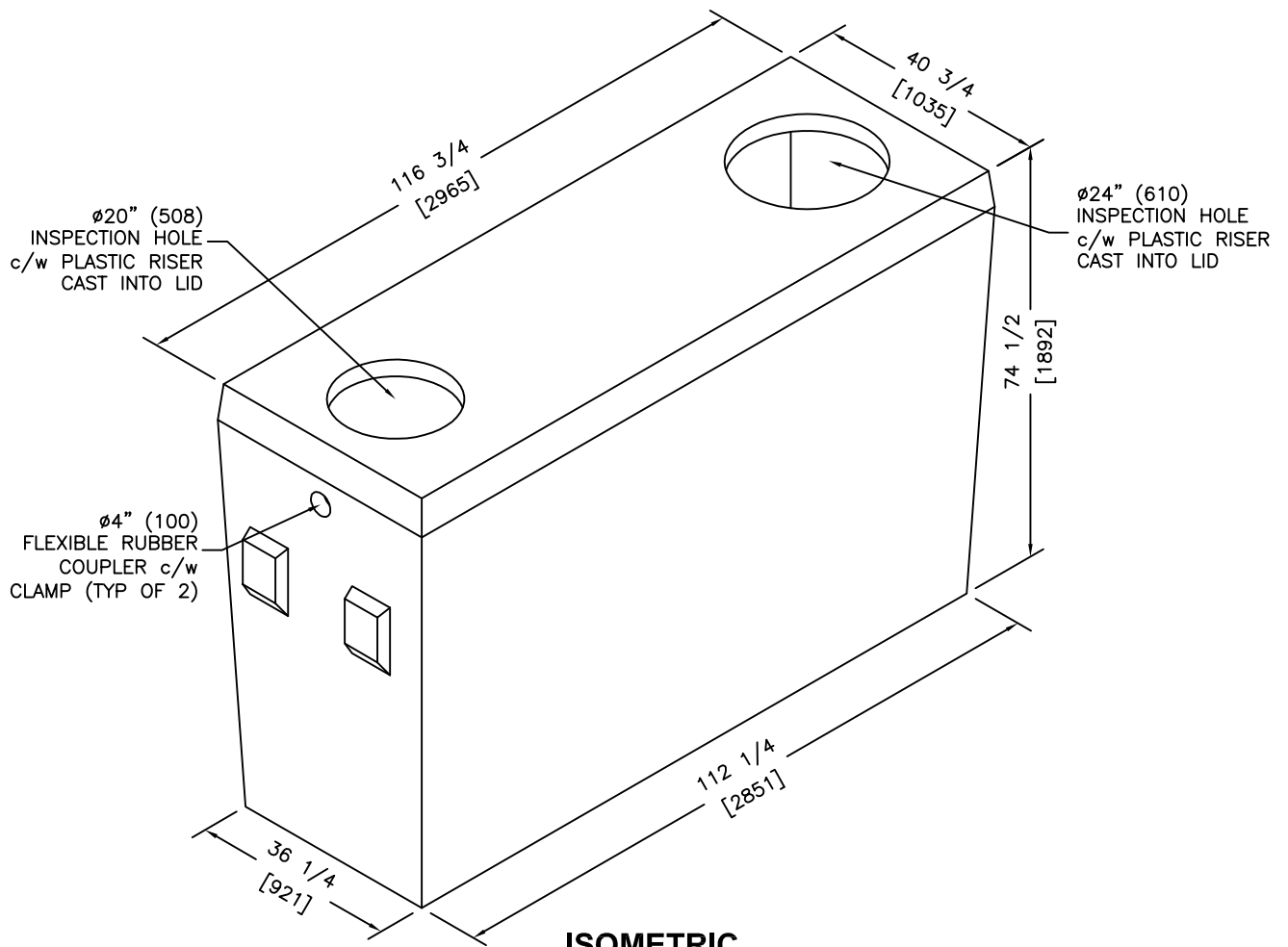
DESCRIPTION

**RESIDENTIAL 1 PIECE
 2 COMPARTMENT
 SEPTIC TANKS**

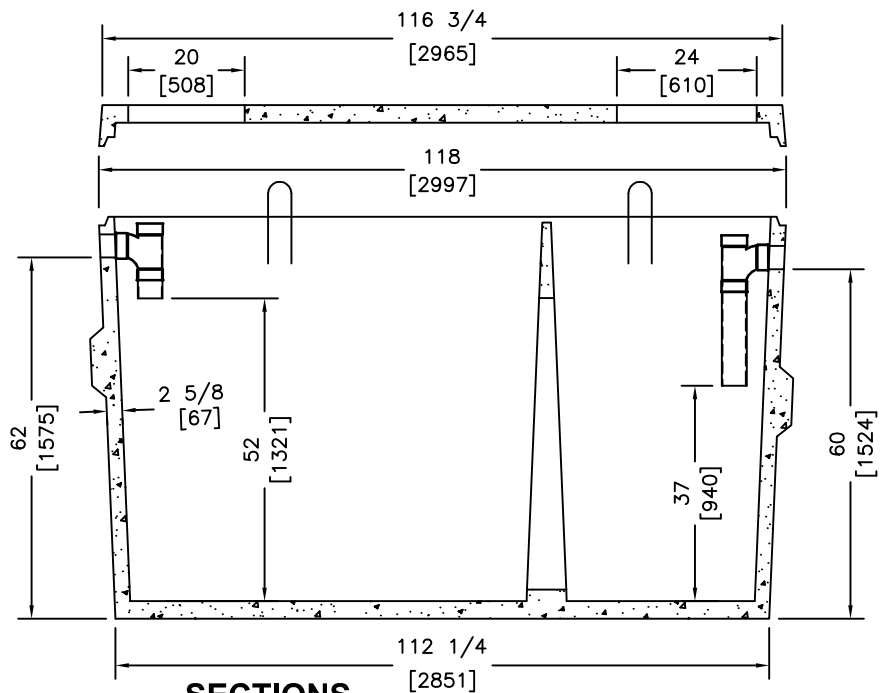
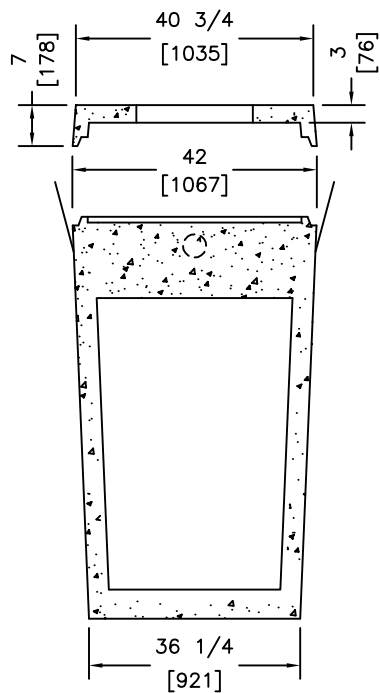
DRAWN BY: PKR
 DATE: DEC 2 05
 SCALE: NTS

DRAWING:

100B



ISOMETRIC



SECTIONS

C.S.A. B-66 LATEST
 32MPa @ 28 DAYS
 TANK: 2459 kg LID: 652 kg

REVISED: OCT 1 2019



KON KAST
 products (2005) ltd.

ph: (250) 765 1423
 fx: (250) 765 0820
 www.konkast.com

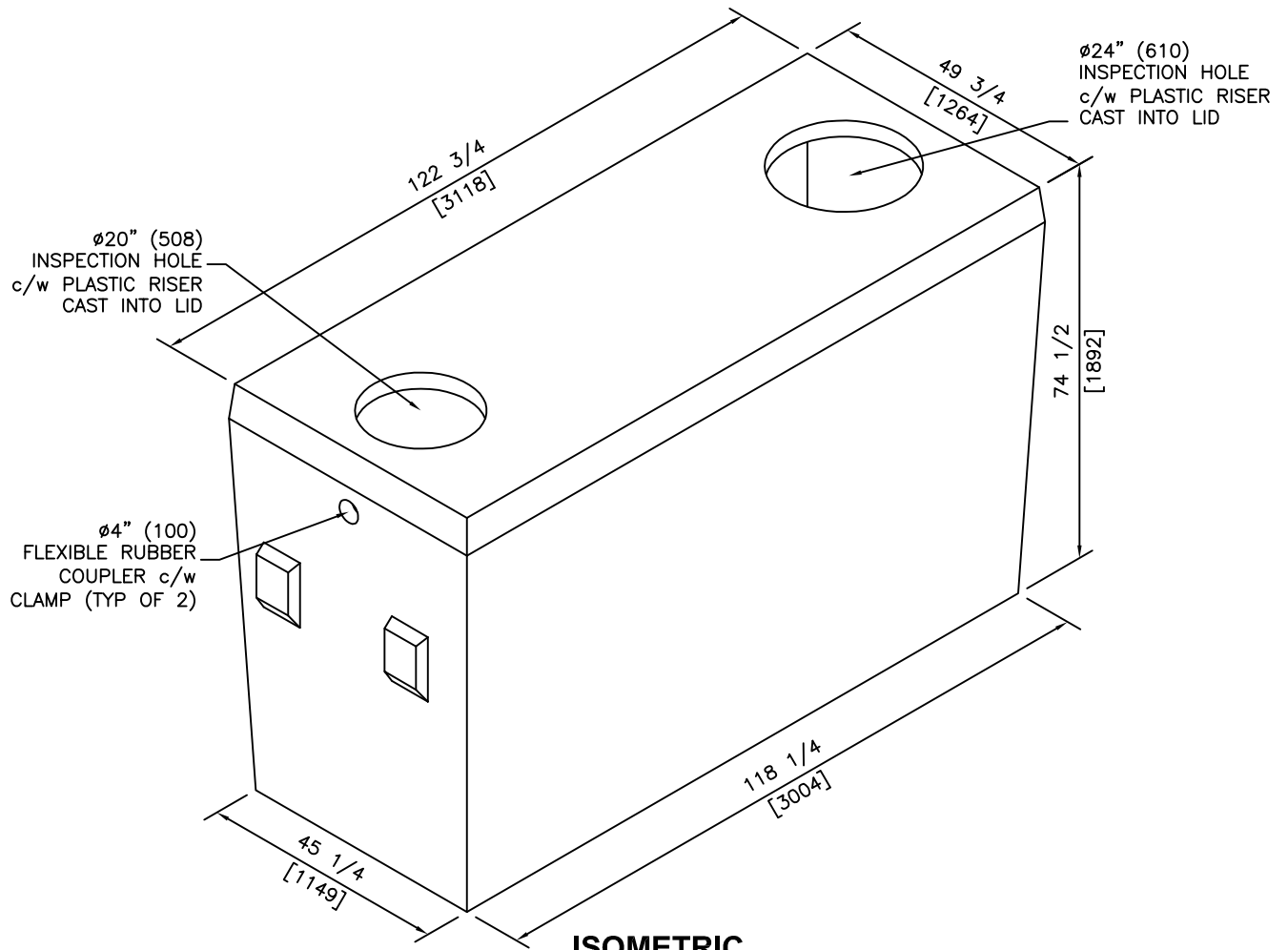
DESCRIPTION

**750 GAL (3405L)
 ONE PIECE
 PUMPOUT TANK**

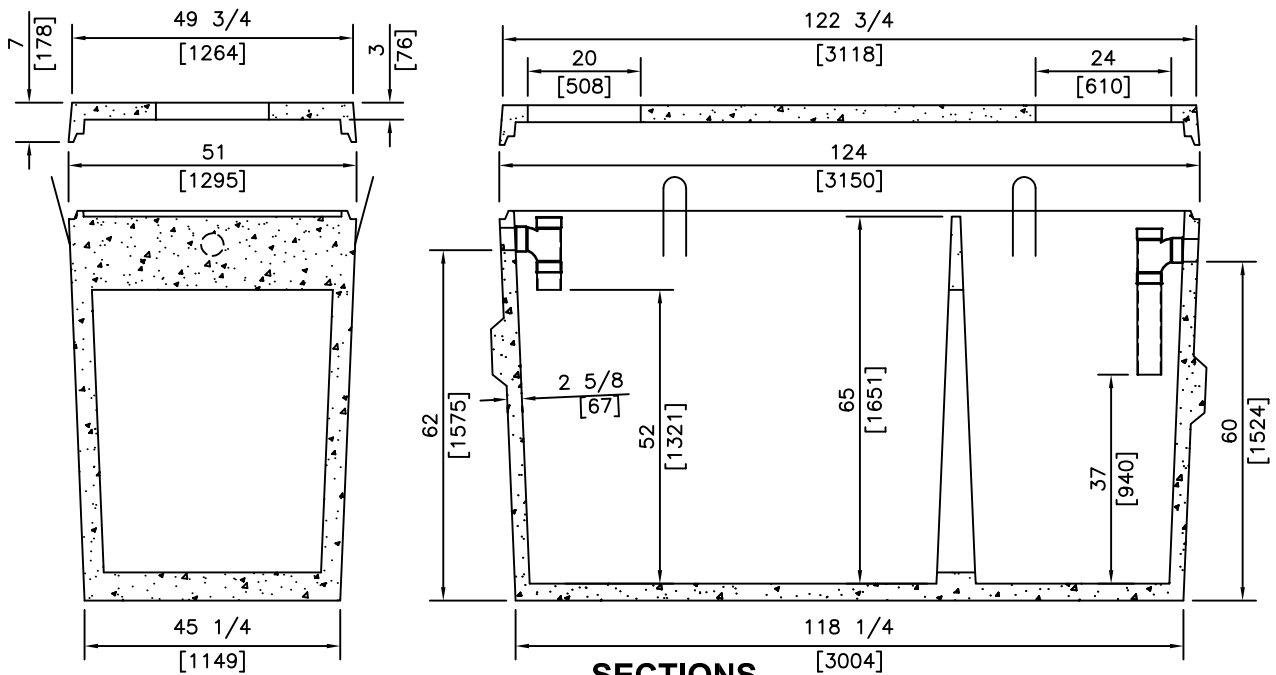
DRAWN BY: PKR
 DATE: JUN 20 05
 SCALE: NTS
 DRAWING:

105

"Committed To Quality And Service"



ISOMETRIC



SECTIONS

C.S.A. B-66 LATEST
 32MPa @ 28 DAYS
 TANK: 2811kg LID: 814 kg

REVISED: OCT 1 2019



KON KAST
 products (2005) ltd.

ph: (250) 765 1423
 fx: (250) 765 0820
 www.konkast.com

DESCRIPTION

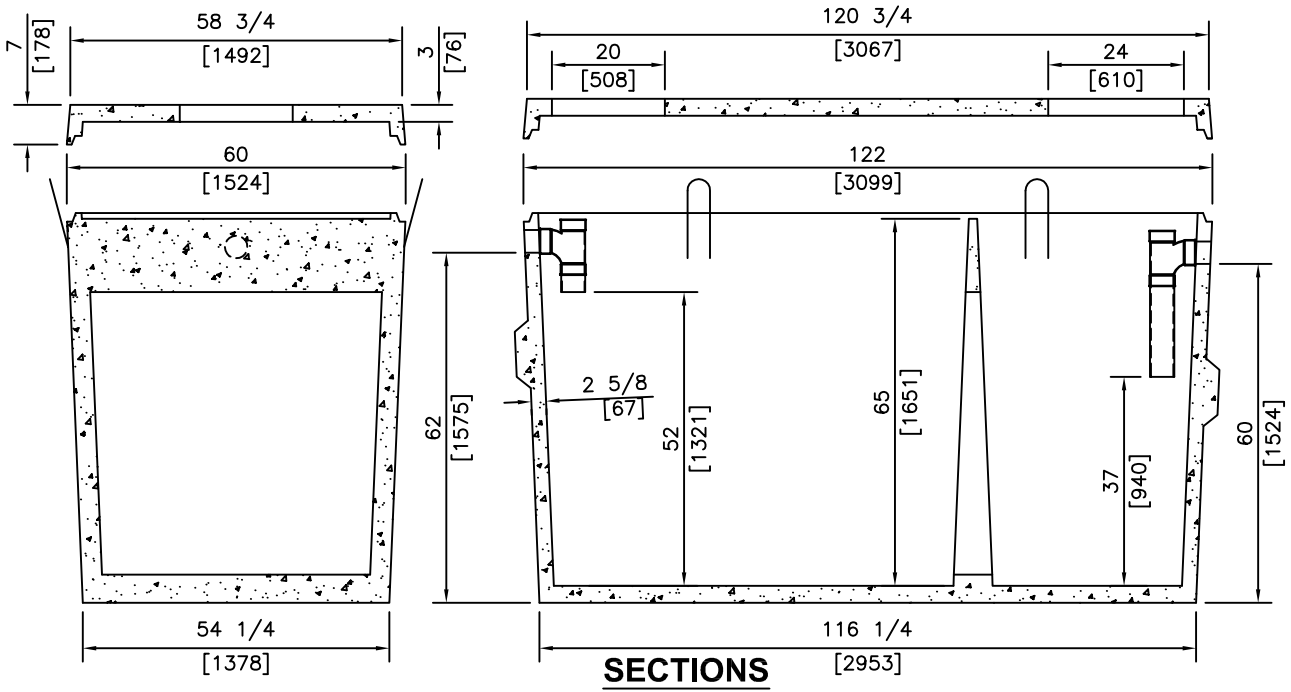
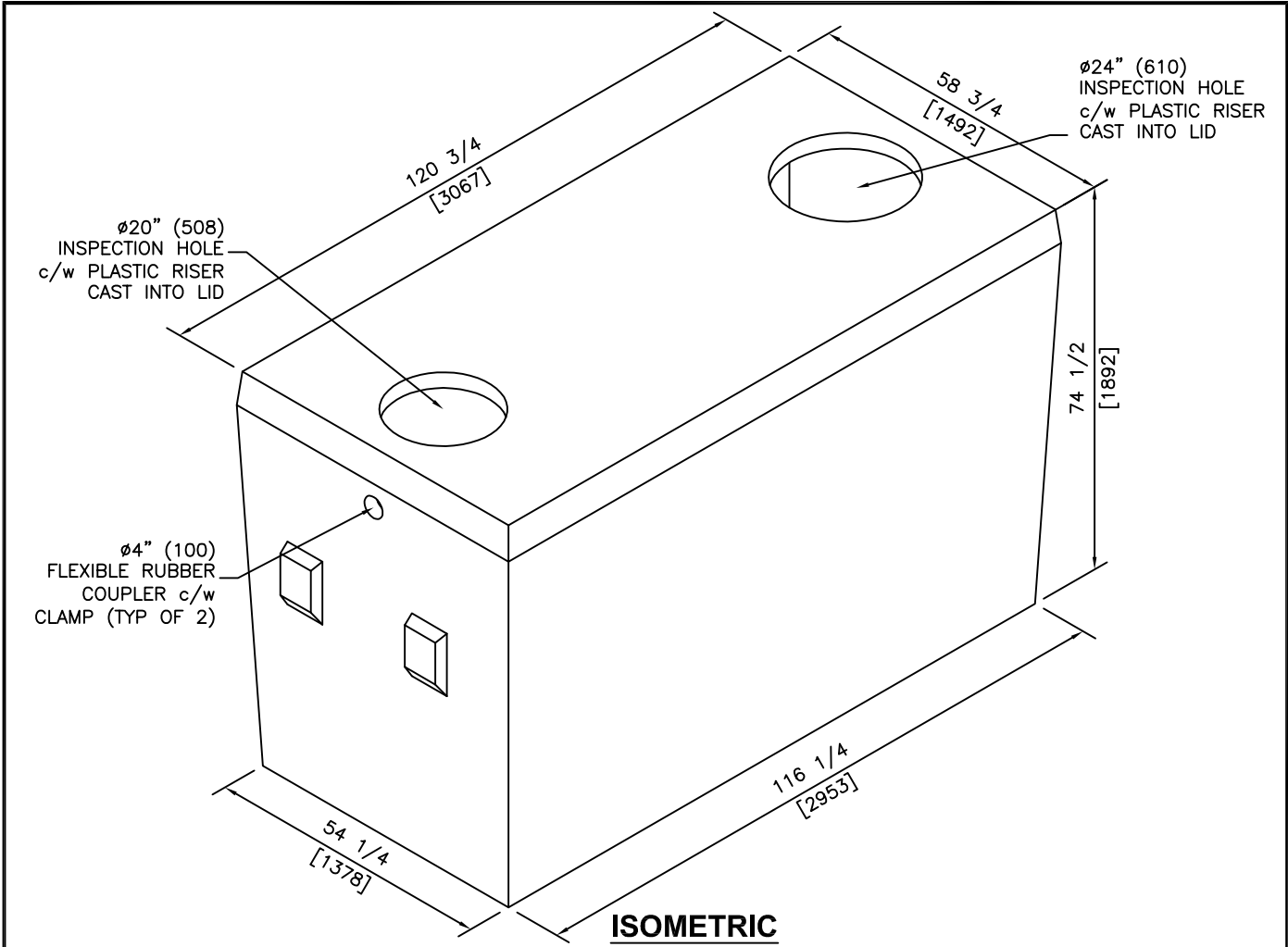
1000 GAL (4540L)
ONE PIECE
PUMPOUT TANK

DRAWN BY: PKR
 DATE: JUN 20 05
 SCALE: NTS

DRAWING:

106

"Committed To Quality And Service"



C.S.A. B-66 LATEST
 32MPa @ 28 DAYS
 TANK: 3023 kg LID: 930 kg

REVISED: OCT 1 2019



ph: (250) 765 1423
 fx: (250) 765 0820
 www.konkast.com

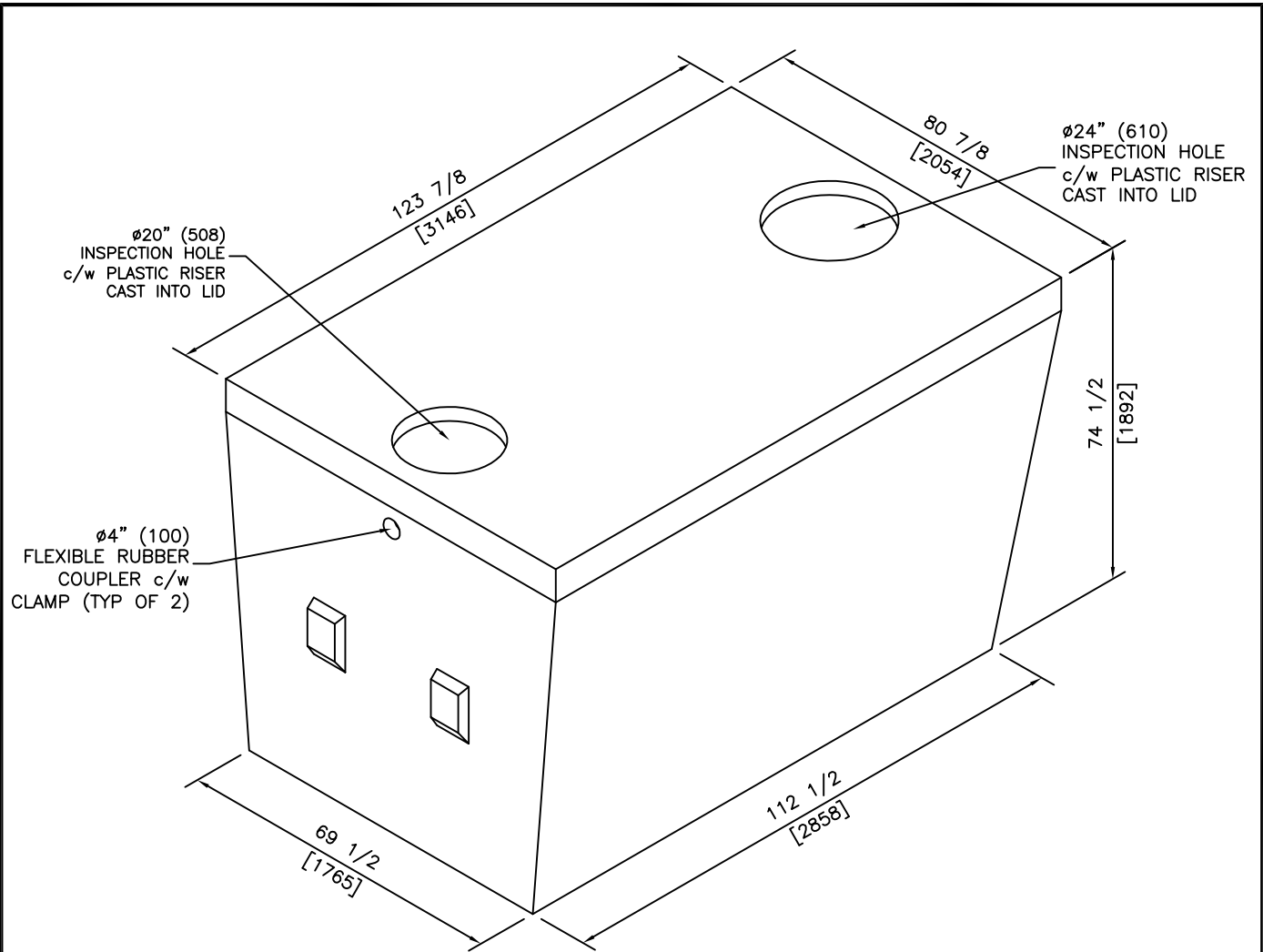
DESCRIPTION

**1200 GAL (5450L)
 ONE PIECE
 PUMPOUT TANK**

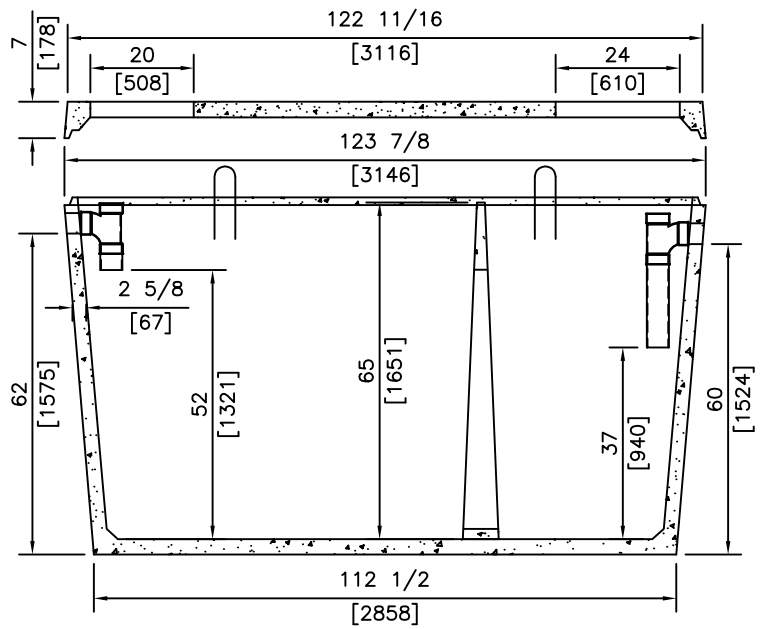
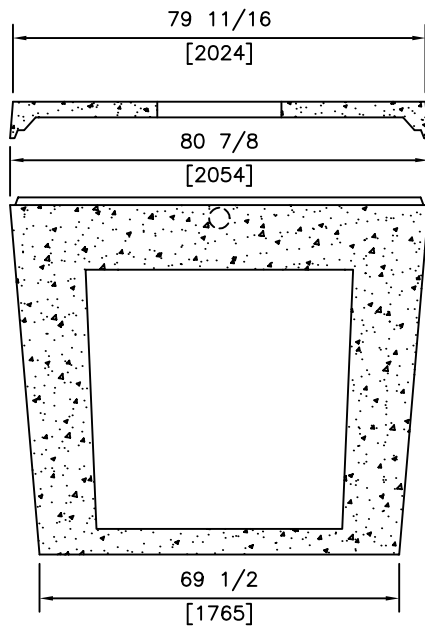
DRAWN BY: PKR
 DATE: JUN 20 05
 SCALE: NTS

DRAWING:
107

"Committed To Quality And Service"



ISOMETRIC



SECTIONS

C.S.A. B-66 LATEST
 32MPa @ 28 DAYS
 TANK: 3782 kg LID: 1227 kg

REVISED: OCT 1 2019



ph: (250) 765 1423
 fx: (250) 765 0820
 www.konkast.com

DESCRIPTION

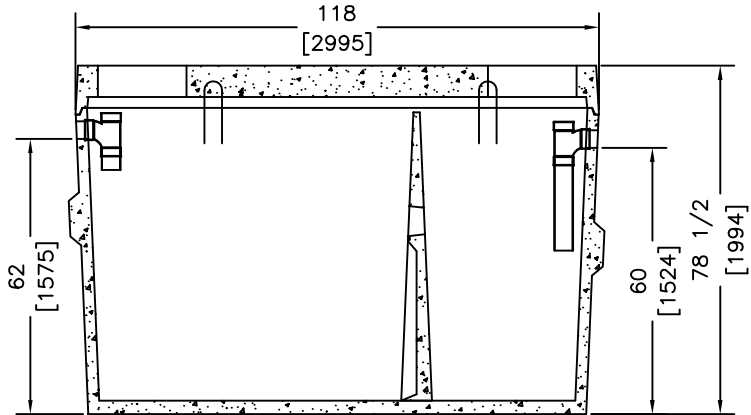
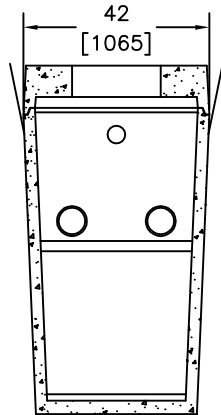
**1500 GAL (6810L)
 ONE PIECE
 PUMPOUT TANK**

DRAWN BY: PKR
 DATE: JUN 20 05
 SCALE: NTS
 DRAWING:

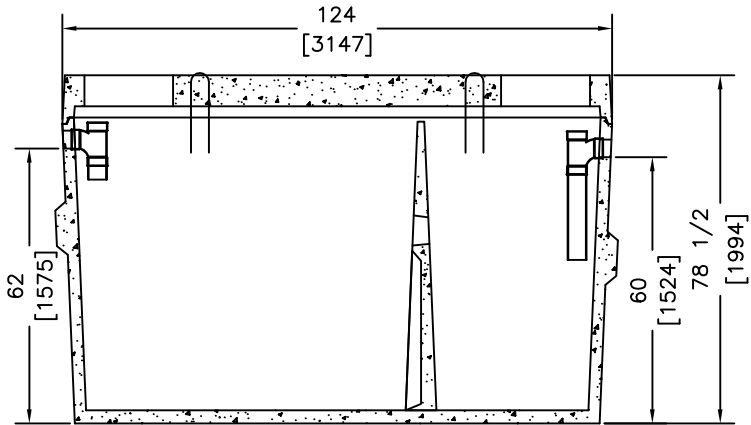
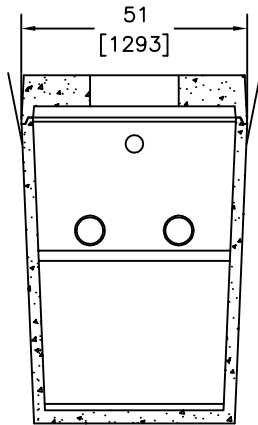
108

"Committed To Quality And Service"

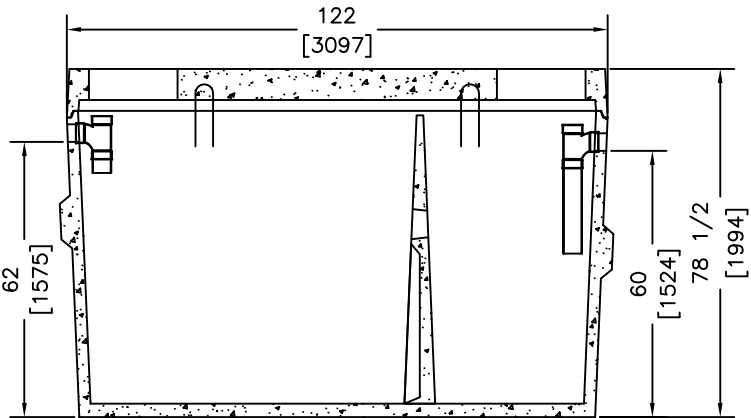
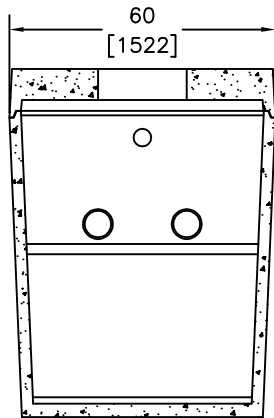
MEASUREMENTS SHOWN ARE MAXIMUM DIMENSIONS
 (ENDVIEW AND SIDEVIEW SHOWN) INLET AND OUTLET MEASUREMENTS
 ARE FROM UNDERSIDE OF FLOOR SLAB TO PIPE INVERT.



750 GAL (3405L) 1 PIECE 2 COMPARTMENT



1000 GAL (4540L) 1 PIECE 2 COMPARTMENT



1200 GAL (5450L) 1 PIECE 2 COMPARTMENT

WEIGHT: kg

REVISED: SEPT 23 2019



KON KAST
 products (2005) ltd.

ph: (250) 765 1423
 fx: (250) 765 0820
 www.konkast.com

"Committed To Quality And Service"

DESCRIPTION

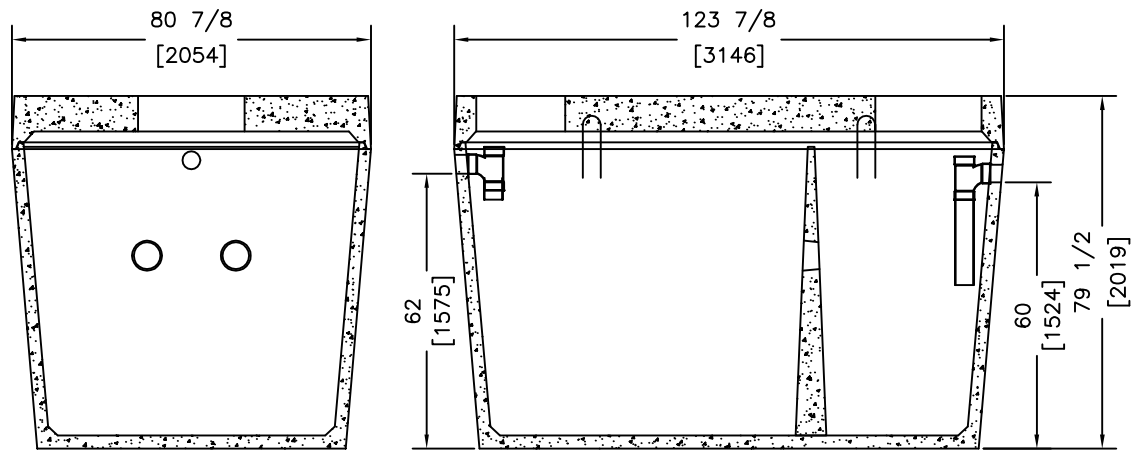
**INDUSTRIAL 1 PIECE
 2 COMPARTMENT
 SEPTIC TANKS**

DRAWN BY: PKR
 DATE: DEC 2 05
 SCALE: NTS

DRAWING:

125A

MEASUREMENTS SHOWN ARE MAXIMUM DIMENSIONS
 (ENDVIEW AND SIDEVIEW SHOWN) INLET AND OUTLET MEASUREMENTS
 ARE FROM UNDERSIDE OF FLOOR SLAB TO PIPE INVERT.



1500 GAL (6810L) 1 PIECE 2 COMPARTMENT

WEIGHT: kg

REVISED: MAR 14 2022



KON KAST
 products (2005) ltd.

ph: (250) 765 1423
 fx: (250) 765 0820
 www.konkast.com

DESCRIPTION

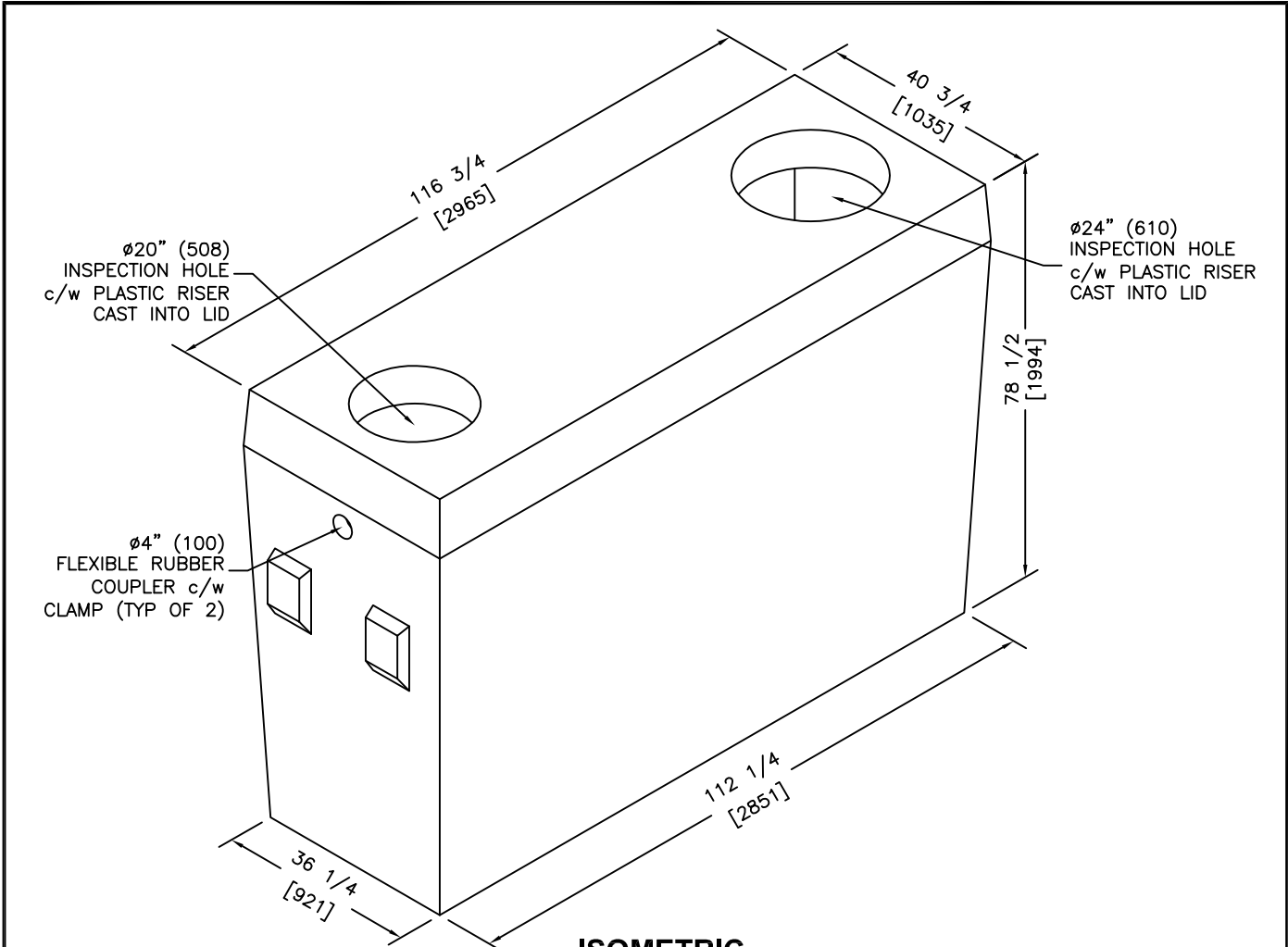
**INDUSTRIAL 1 PIECE
 2 COMPARTMENT
 SEPTIC TANKS**

DRAWN BY: PKR
 DATE: DEC 2 2005
 SCALE: NTS

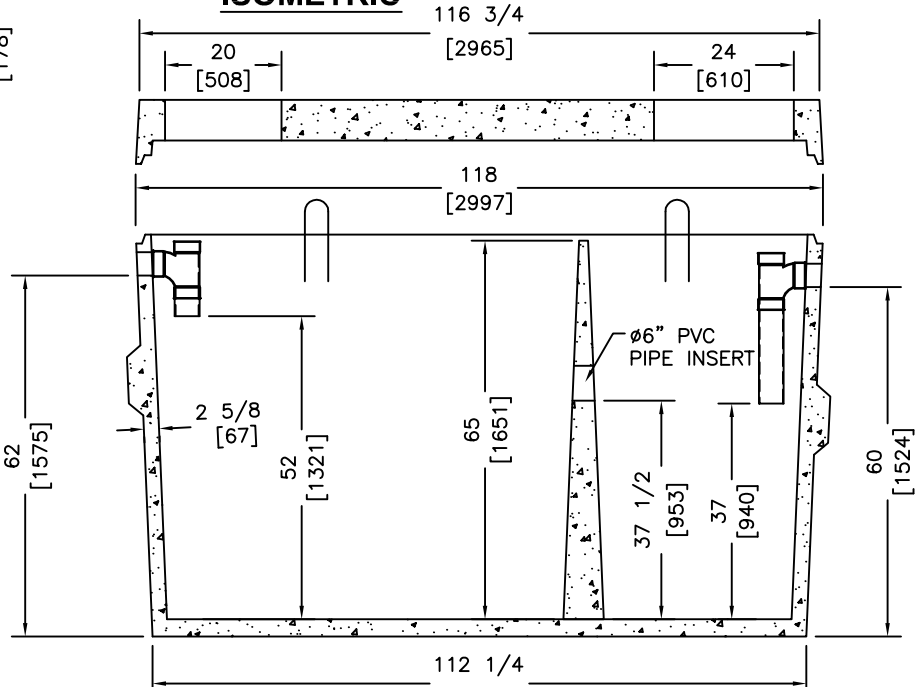
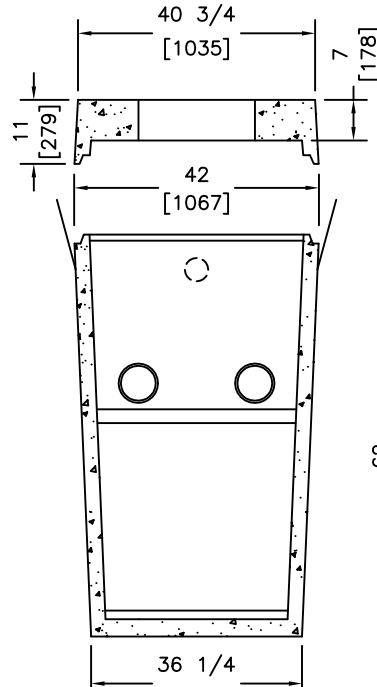
DRAWING:

125B

"Committed To Quality And Service"



ISOMETRIC



C.S.A. B-66 LATEST [921]
 32MPa @ 28 DAYS
 TANK: 2743 kg LID: 1363 kg

REVISED: OCT 1 2019



ph: (250) 765 1423
 fx: (250) 765 0820
 www.konkast.com

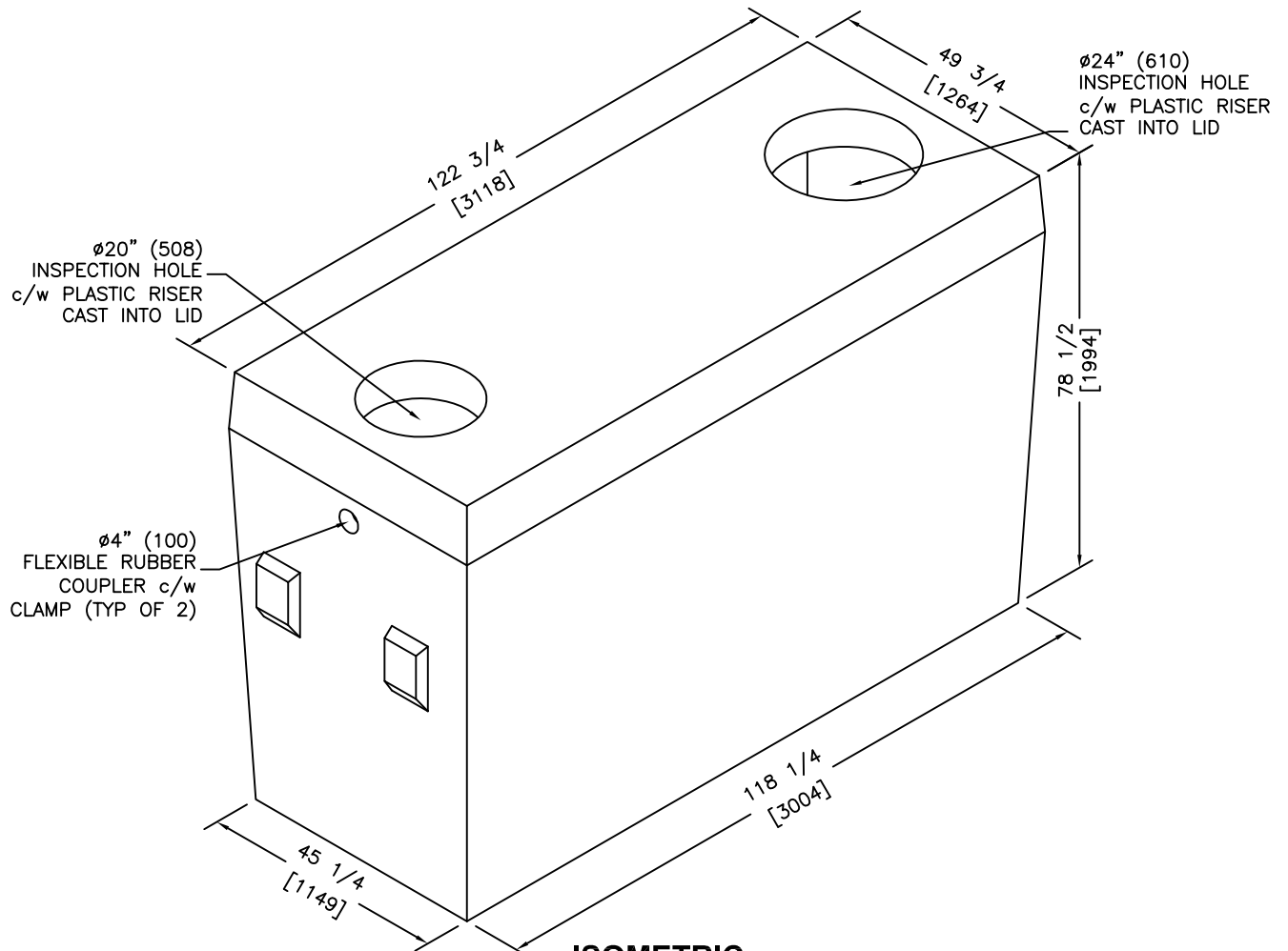
DESCRIPTION

**750 GAL (3405L)
 TWO COMPARTMENT
 SEPTIC TANK - IND**

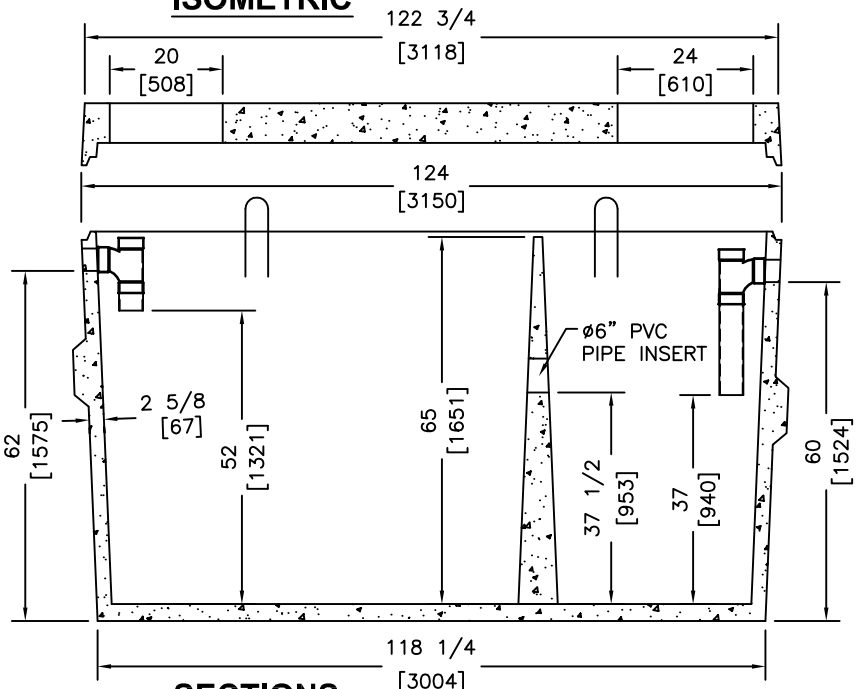
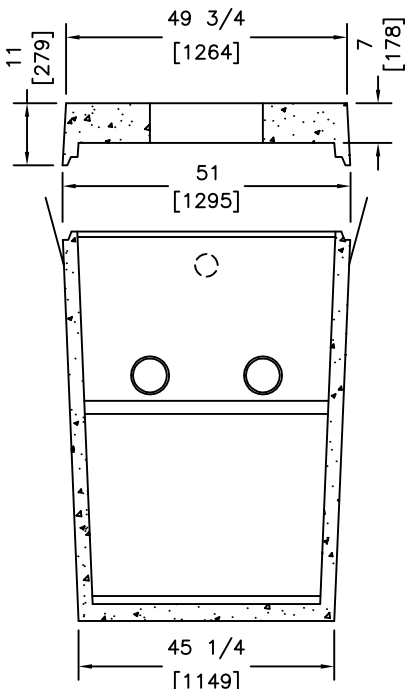
DRAWN BY: PKR
 DATE: JUN 20 05
 SCALE: NTS

DRAWING:
136

"Committed To Quality And Service"



ISOMETRIC



SECTIONS

C.S.A. B-66 LATEST
 32MPa @ 28 DAYS
 TANK: 3176 kg LID: 1725 kg

REVISED: OCT 1 2019



KON KAST
 products (2005) ltd.

ph: (250) 765 1423
 fx: (250) 765 0820
 www.konkast.com

"Committed To Quality And Service"

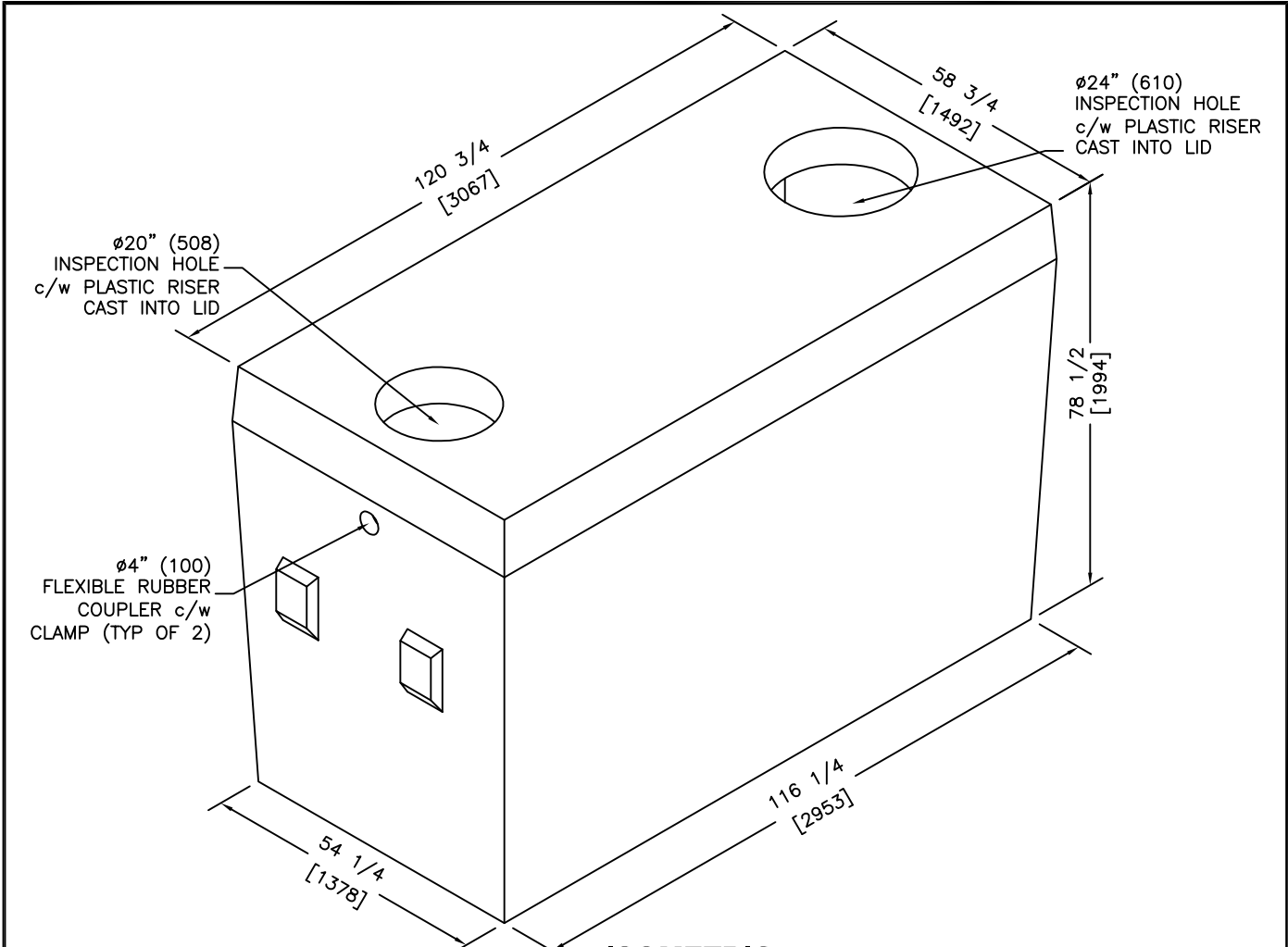
DESCRIPTION

1000 GAL (4540L)
ONE PIECE
SEPTIC TANK - IND

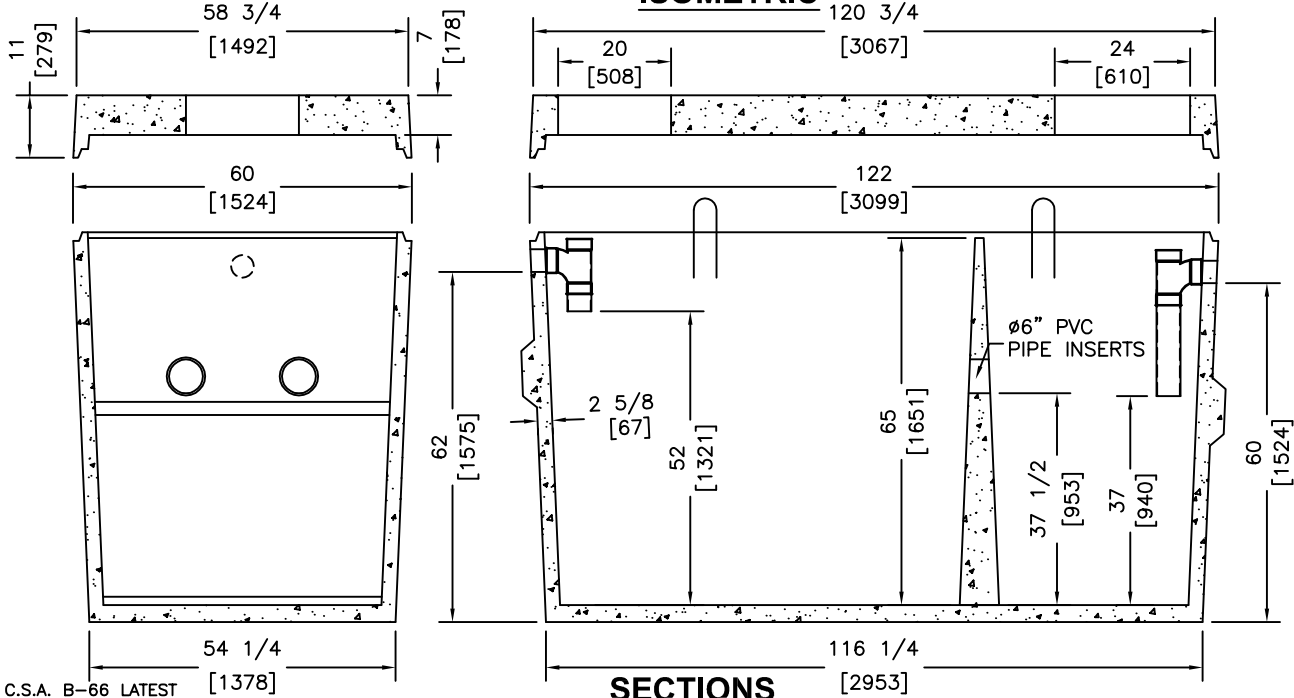
DRAWN BY: PKR
 DATE: JUN 20 05
 SCALE: NTS

DRAWING:

137



ISOMETRIC



SECTIONS

C.S.A. B-66 LATEST
 32MPa @ 28 DAYS
 TANK: 3466 kg LID: 1979 kg

REVISED: OCT 1 2019



ph: (250) 765 1423
 fx: (250) 765 0820
 www.konkast.com

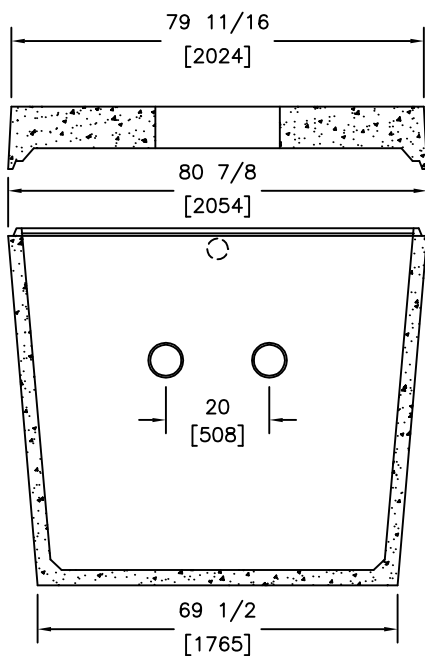
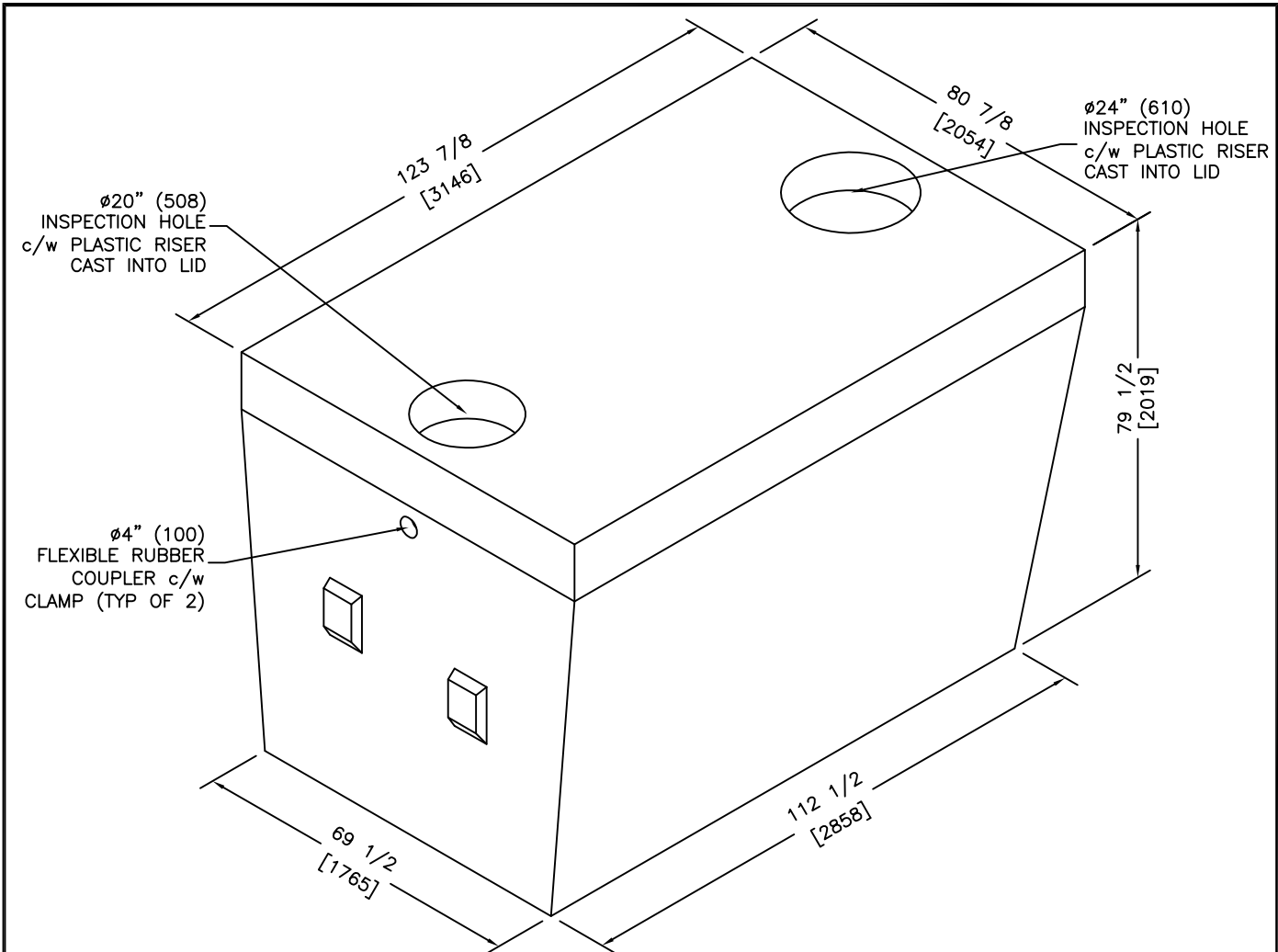
"Committed To Quality And Service"

DESCRIPTION

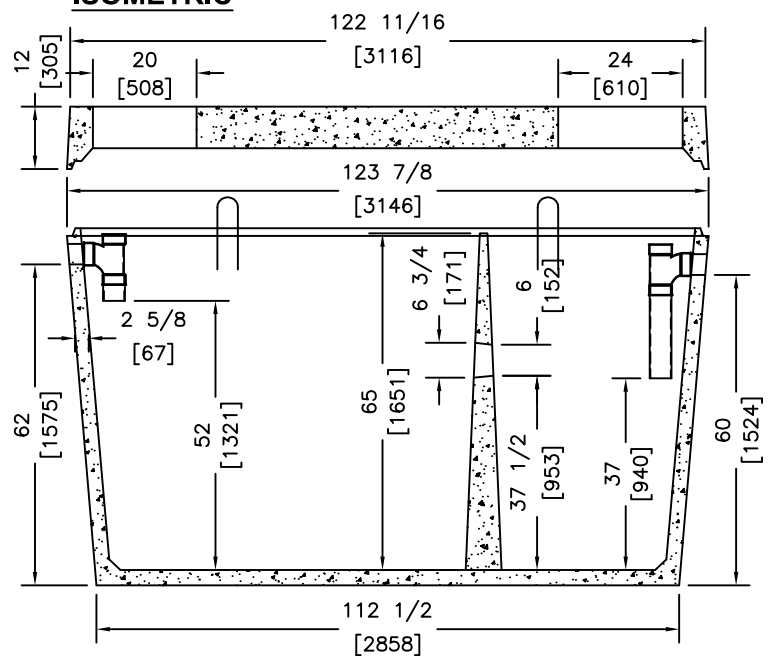
1200 GAL (5450L)
ONE PIECE
SEPTIC TANK - IND

DRAWN BY: PKR
 DATE: JUN 20 05
 SCALE: NTS

DRAWING:
138



ISOMETRIC



SECTIONS

C.S.A. B-66 LATEST
 32MPa @ 28 DAYS
 TANK: 4236 kg LID: 2929 kg

REVISED: OCT 1 2019



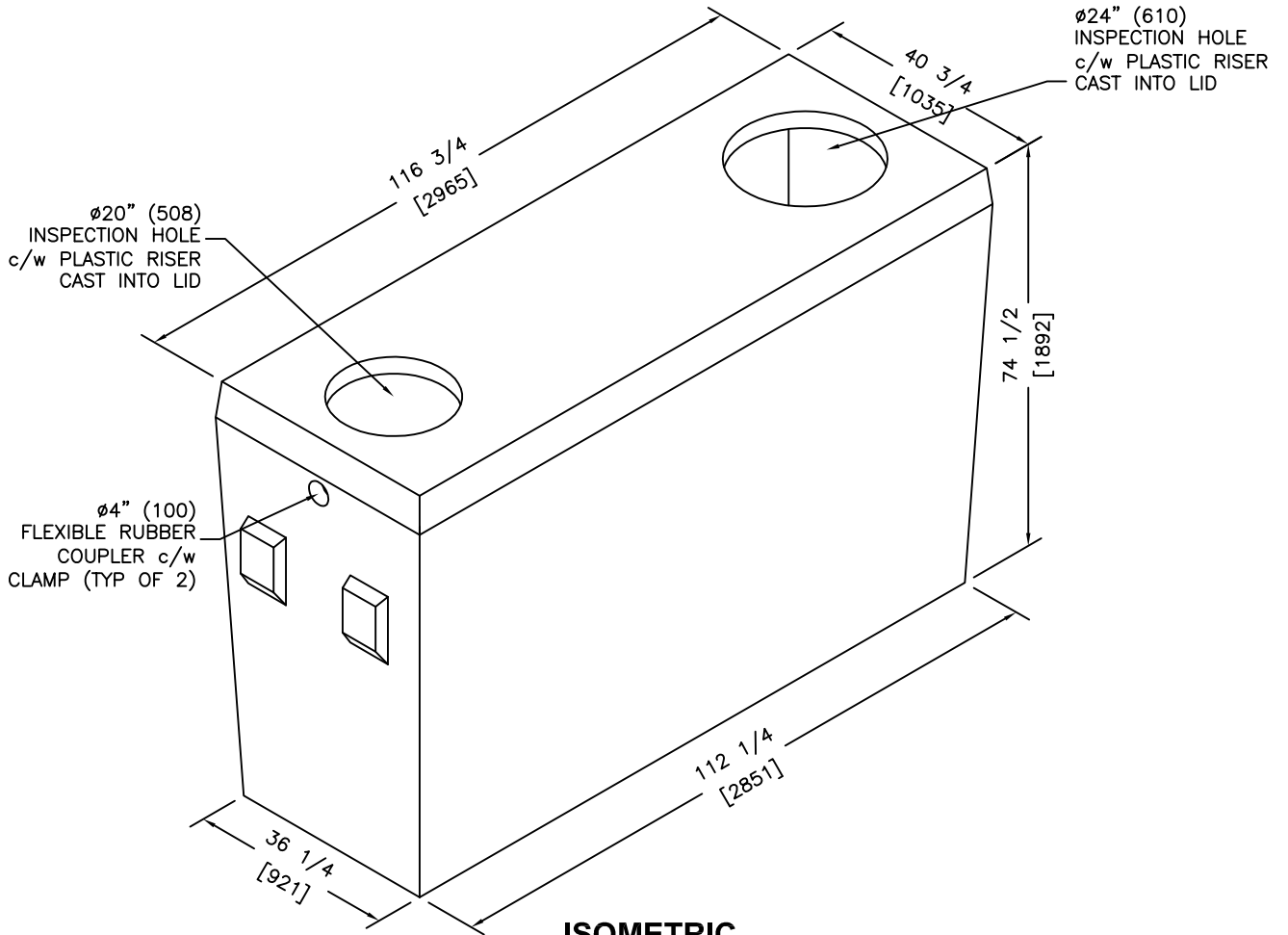
ph: (250) 765 1423
 fx: (250) 765 0820
 www.konkast.com

DESCRIPTION

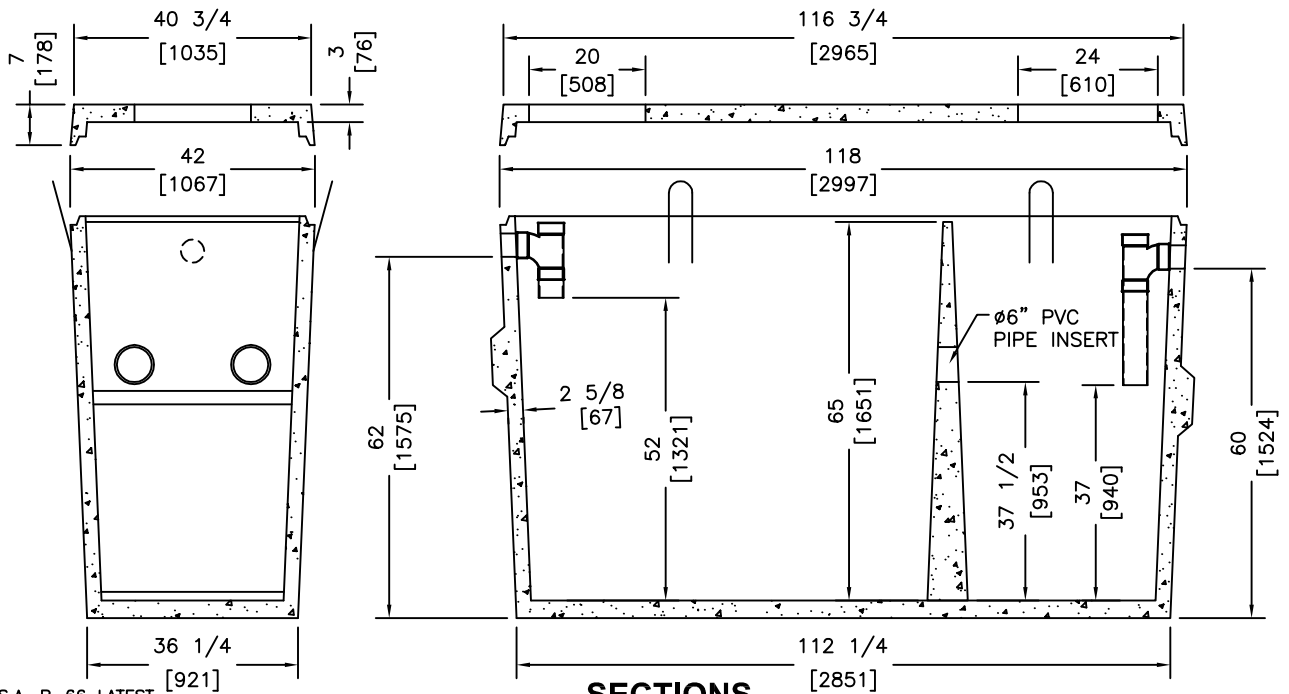
**1500 GAL (6810L)
 ONE PIECE
 SEPTIC TANK - IND**

DRAWN BY: PKR
 DATE: JUN 20 05
 SCALE: NTS

DRAWING:
139



ISOMETRIC



SECTIONS

C.S.A. B-66 LATEST
 32MPa @ 28 DAYS
 TANK: 2743 kg LID: 652 kg

REVISED: OCT 1 2019



KON KAST
 products (2005) ltd.

ph: (250) 765 1423
 fx: (250) 765 0820
 www.konkast.com

DESCRIPTION

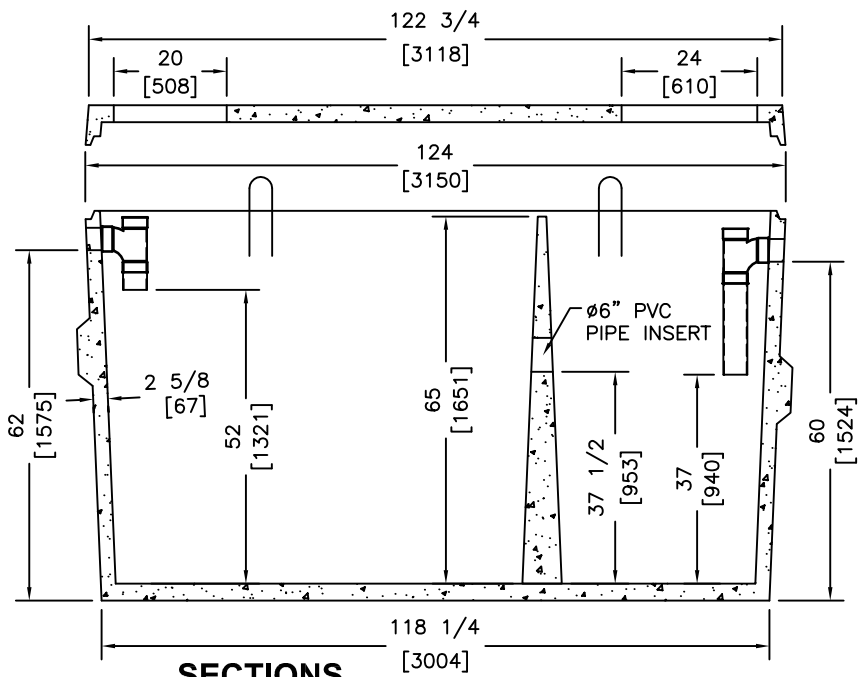
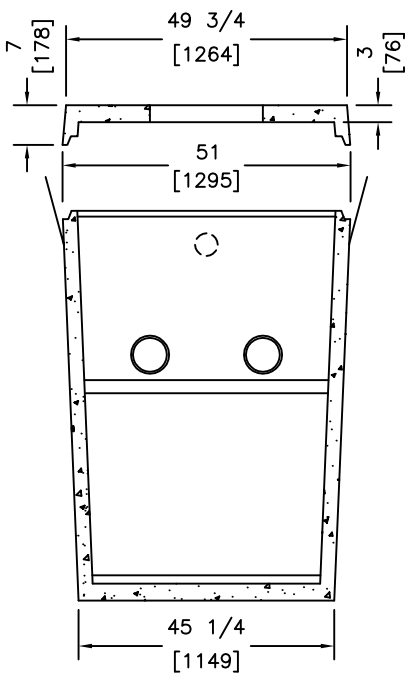
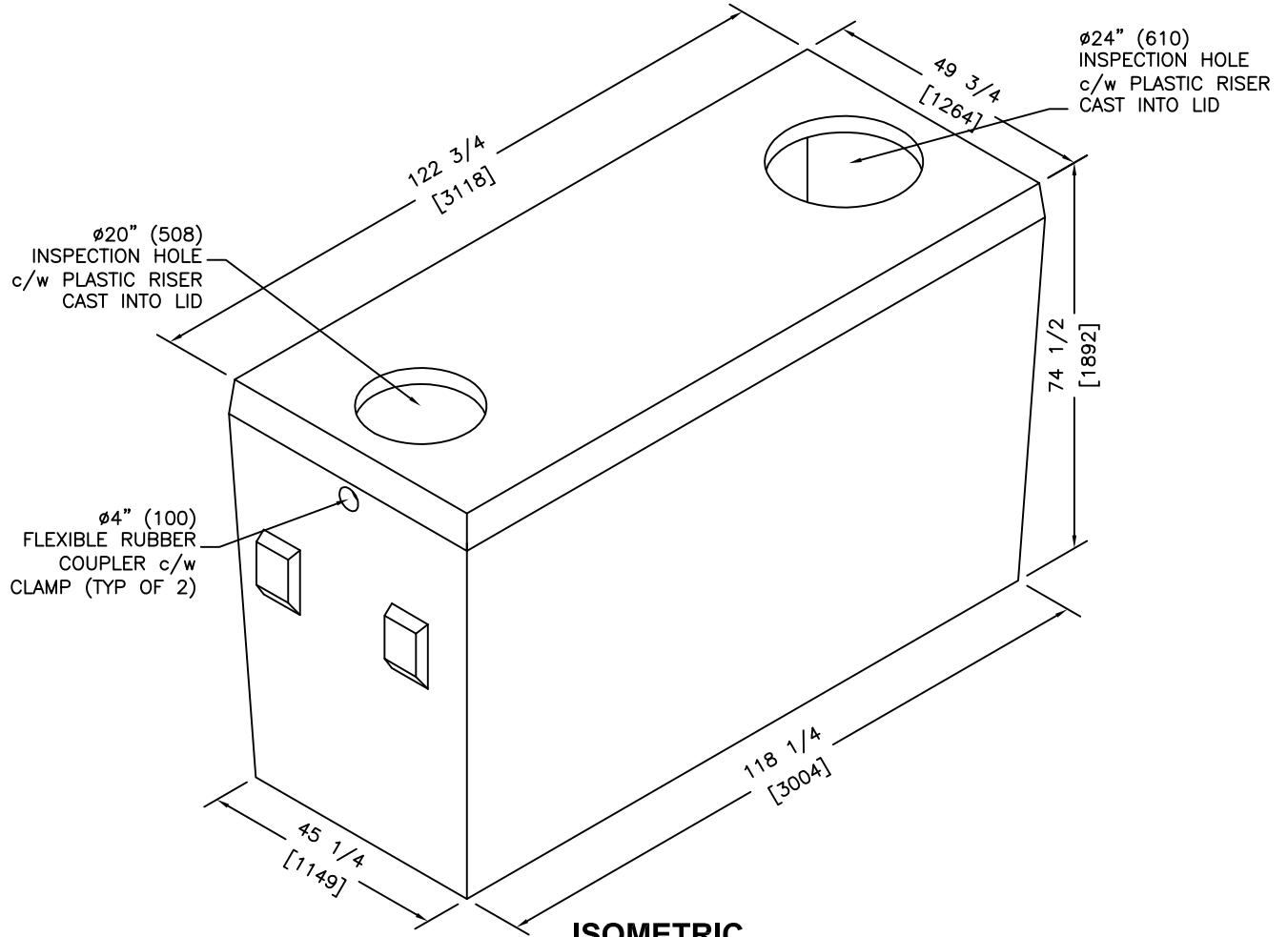
**750 GAL (3405L)
 TWO COMPARTMENT
 SEPTIC TANK**

DRAWN BY: PKR
 DATE: JUN 20 05
 SCALE: NTS

DRAWING:

170

"Committed To Quality And Service"



C.S.A. B-66 LATEST
 32MPa @ 28 DAYS
 TANK: 3176 kg LID: 814 kg

REVISED: OCT 1 2019



ph: (250) 765 1423
 fx: (250) 765 0820
 www.konkast.com

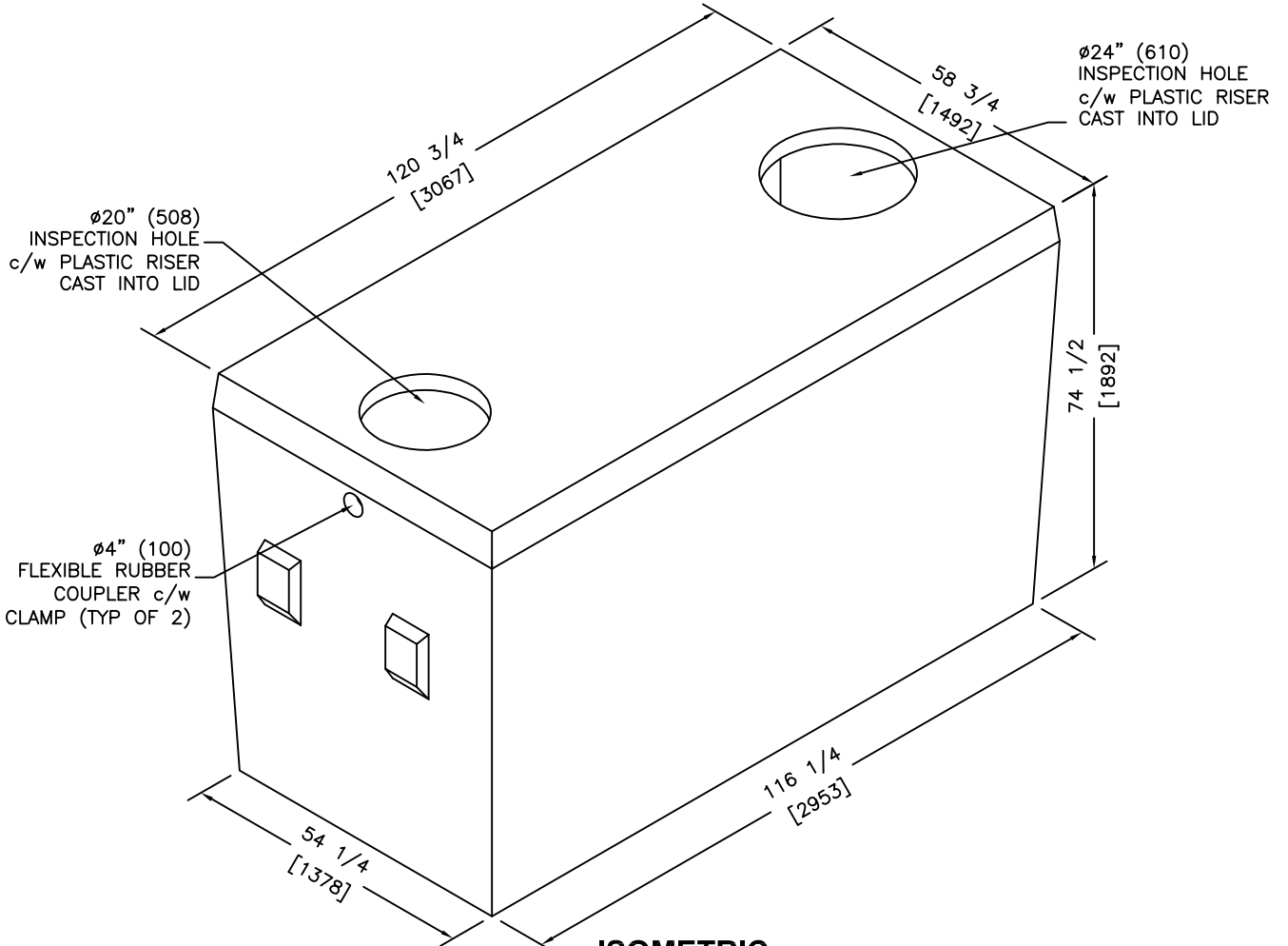
DESCRIPTION

**1000 GAL (4540L)
 TWO COMPARTMENT
 SEPTIC TANK**

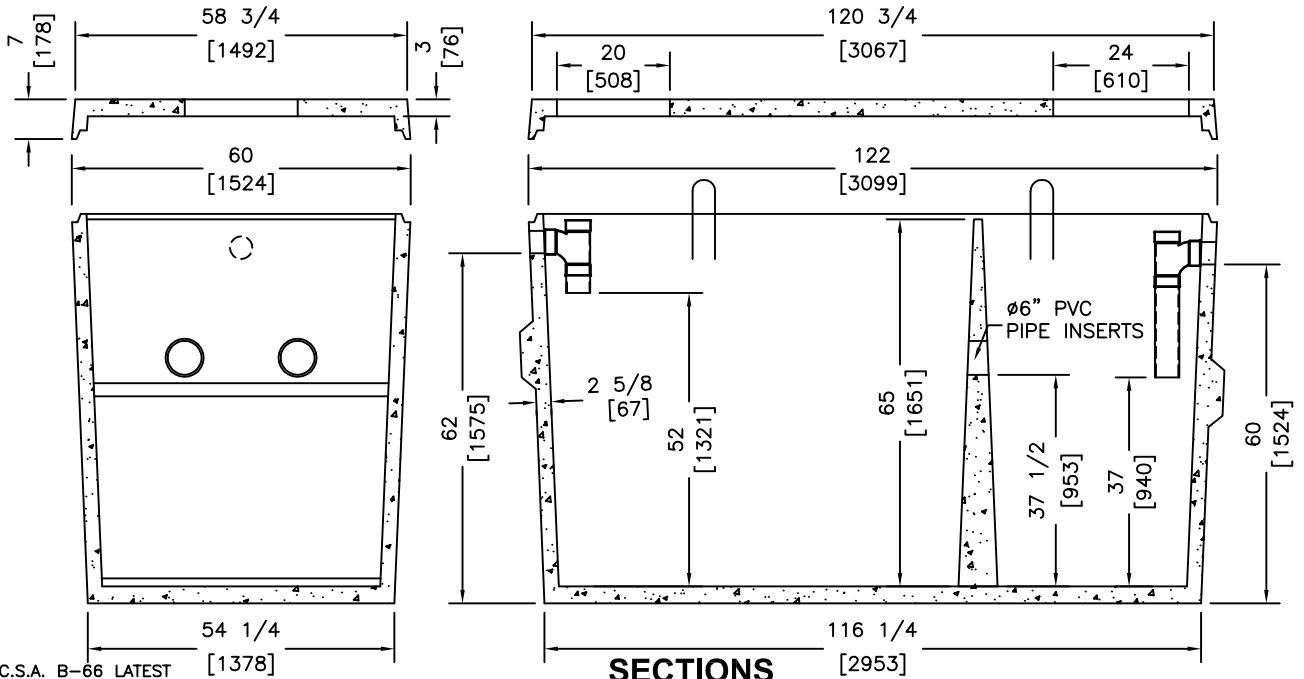
DRAWN BY: PKR
 DATE: JUN 20 05
 SCALE: NTS
 DRAWING:

175

"Committed To Quality And Service"



ISOMETRIC



SECTIONS

C.S.A. B-66 LATEST
 32MPa @ 28 DAYS
 TANK: 3466 kg LID: 930 kg

REVISED: OCT 1 2019



KON KAST
 products (2005) ltd.

ph: (250) 765 1423
 fx: (250) 765 0820
 www.konkast.com

DESCRIPTION

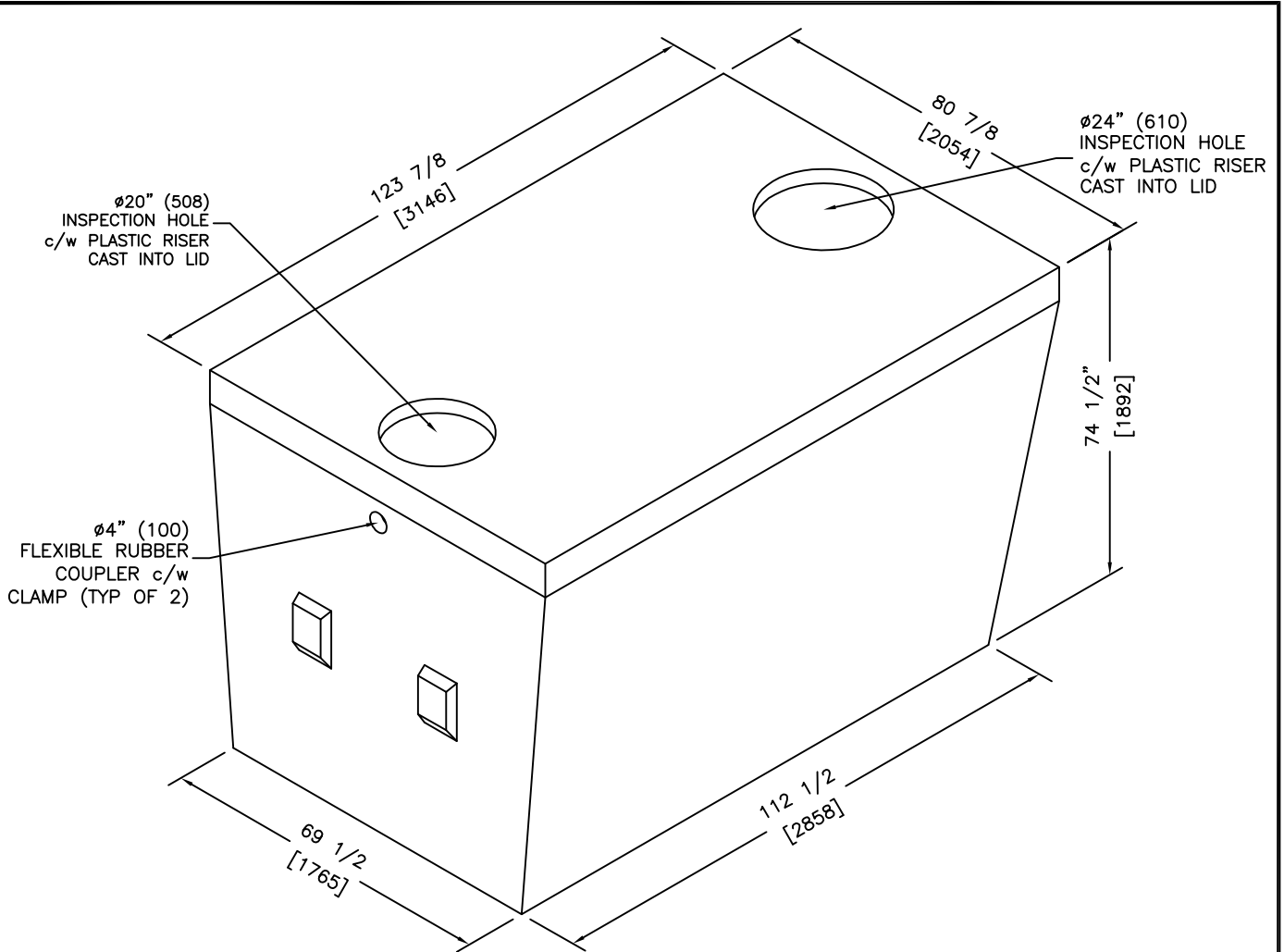
**1200 GAL (5450L)
 TWO COMPARTMENT
 SEPTIC TANK**

DRAWN BY: PKR
 DATE: JUN 20 05
 SCALE: NTS

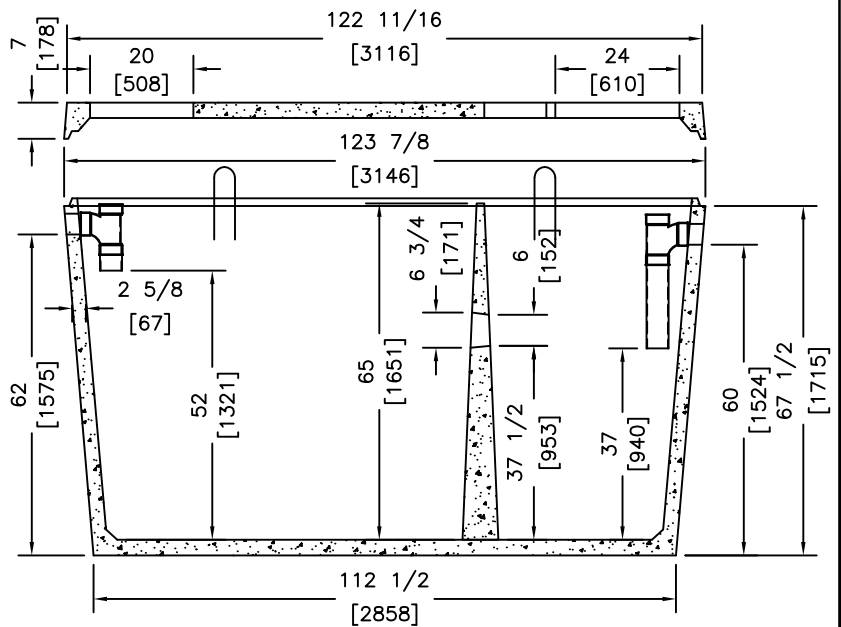
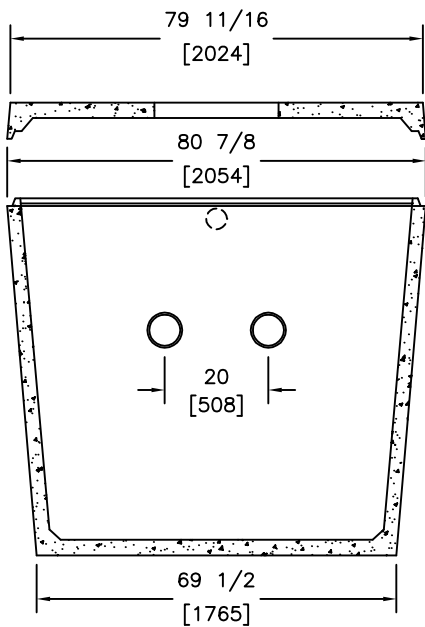
DRAWING:

180

"Committed To Quality And Service"



ISOMETRIC



SECTIONS

32MPa @ 28 DAYS
WEIGHT: 5664 kg

REVISED: APR 21 2017



KON KAST
products (2005) ltd.

ph: (250) 765 1423
fx: (250) 765 0820
www.konkast.com

DESCRIPTION

**1500 GAL (6800L)
TWO COMPARTMENT
SEPTIC TANK**

DRAWN BY: PKR
DATE: JUN 16 10
SCALE: NTS

DRAWING:

185

"Committed To Quality And Service"