

RISER = APPROXIMATELY 7 1/4"


ISOMETRIC

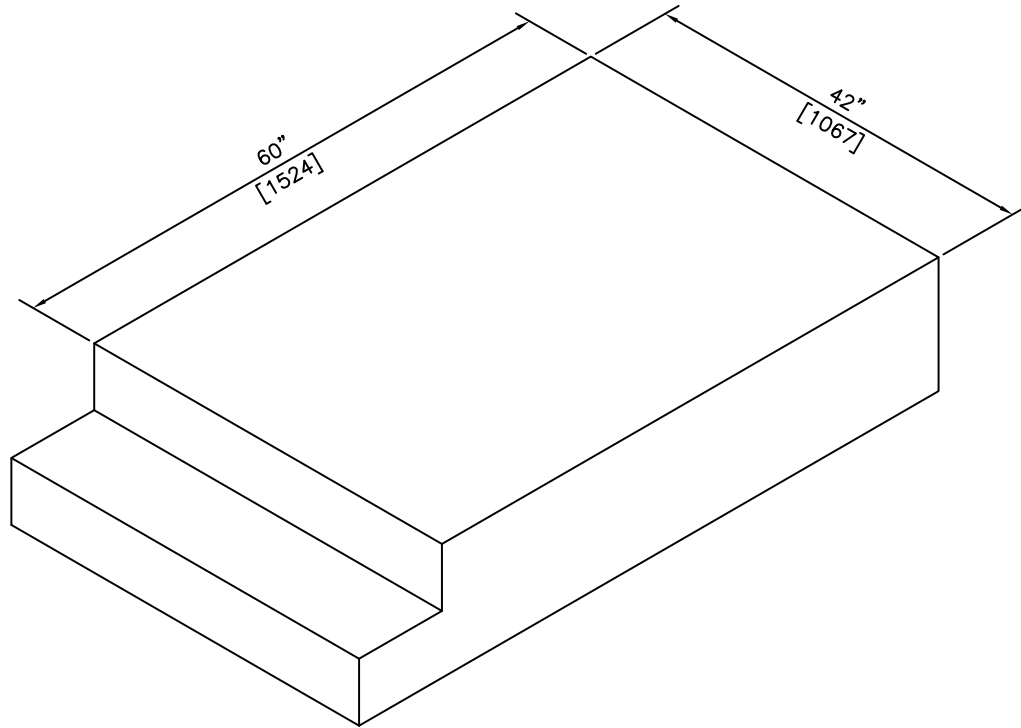
NOTES:

- 1) 25 MPa @ 28 DAYS
- 2) FIBRILATED FIBRE STRAND REINFORCED CONCRETE

ITEM No.	DESCRIPTION
1301	AS SHOWN - APPROX. HT. = 14 1/2"
1302	3 RISER - APPROX. HT. = 21 3/4"

REVISED: MAR 28 2006

 <p>KON KAST products (2005) Ltd. "Committed To Quality And Service"</p>	<p>3440 UNIVERSITY WAY KELOWNA B.C. V1V 1V9 PH: (250)765-1423 FX: (250)765-0820</p>	BY: PKR	<p>3' WIDE x 42" LANDING OPEN BACK STEP</p>	ITEM NO.
		DATE: MAR 15 05		<p>1301 TO 1302</p>
		SCALE: NTS		



RISER = APPROXIMATELY 7 1/4"


ISOMETRIC

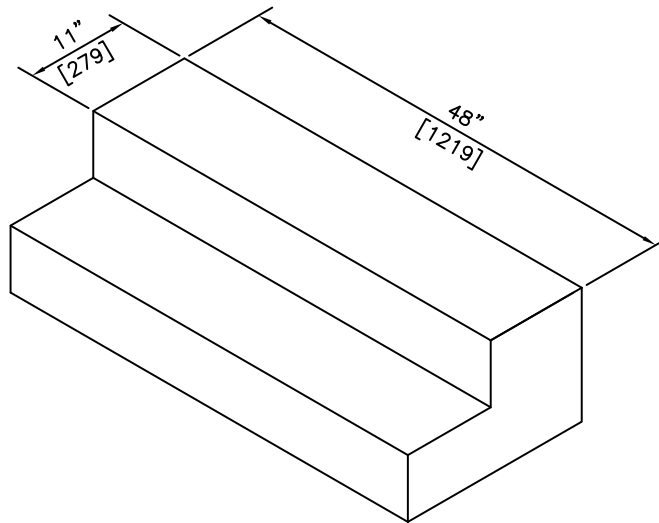
NOTES:

- 1) 25MPa @ 28 DAYS
- 2) FIBRILATED FIBRE STRAND REINFORCED CONCRETE

ITEM No.	DESCRIPTION
1303	AS SHOWN - APPROX. HT. = 14 1/2"

REVISED: MAR 28 2006

 <p>KON KAST products (2005) Ltd. "Committed To Quality And Service"</p>	<p>3440 UNIVERSITY WAY KELOWNA B.C. V1V 1V9 PH: (250)765-1423 FX: (250)765-0820</p>	BY: PKR	<p>3.5' WIDE x 60" LANDING SIDE MOUNT STEP</p>	ITEM NO.
		DATE: MAR 13 05		<p>1303</p>
		SCALE: NTS		



RISER = APPROXIMATELY 7 1/4"


ISOMETRIC

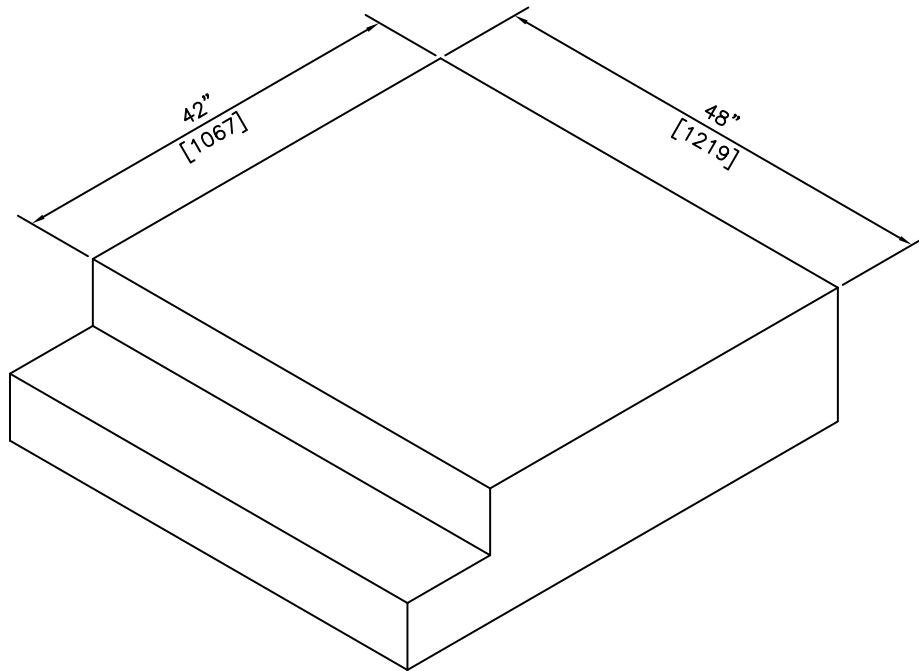
ITEM No.	DESCRIPTION
1304	1 RISER - APPROX. HT. = 7 1/4"
1305	AS SHOWN - APPROX. HT. = 14 1/2"
1306	3 RISER - APPROX. HT. = 21 3/4"
1307	4 RISER - APPROX. HT. = 29"

NOTES:

- 1) 25 MPa @ 28 DAYS
- 2) FIBRILATED FIBRE STRAND REINFORCED CONCRETE

REVISED: MAR 28 2006

 <p>KON KAST products (2005) Ltd. "Committed To Quality And Service"</p>	<p>3440 UNIVERSITY WAY KELOWNA B.C. V1V 1V9 PH: (250)765-1423 FX: (250)765-0820</p>	BY: PKR	<p>4' WIDE x 11" LANDING OPEN BACK STEP</p>	ITEM NO.
		DATE: MAR 15 05		<p>1304 TO 1307</p>
		SCALE: NTS		



RISER = APPROXIMATELY 7 1/4"


ISOMETRIC

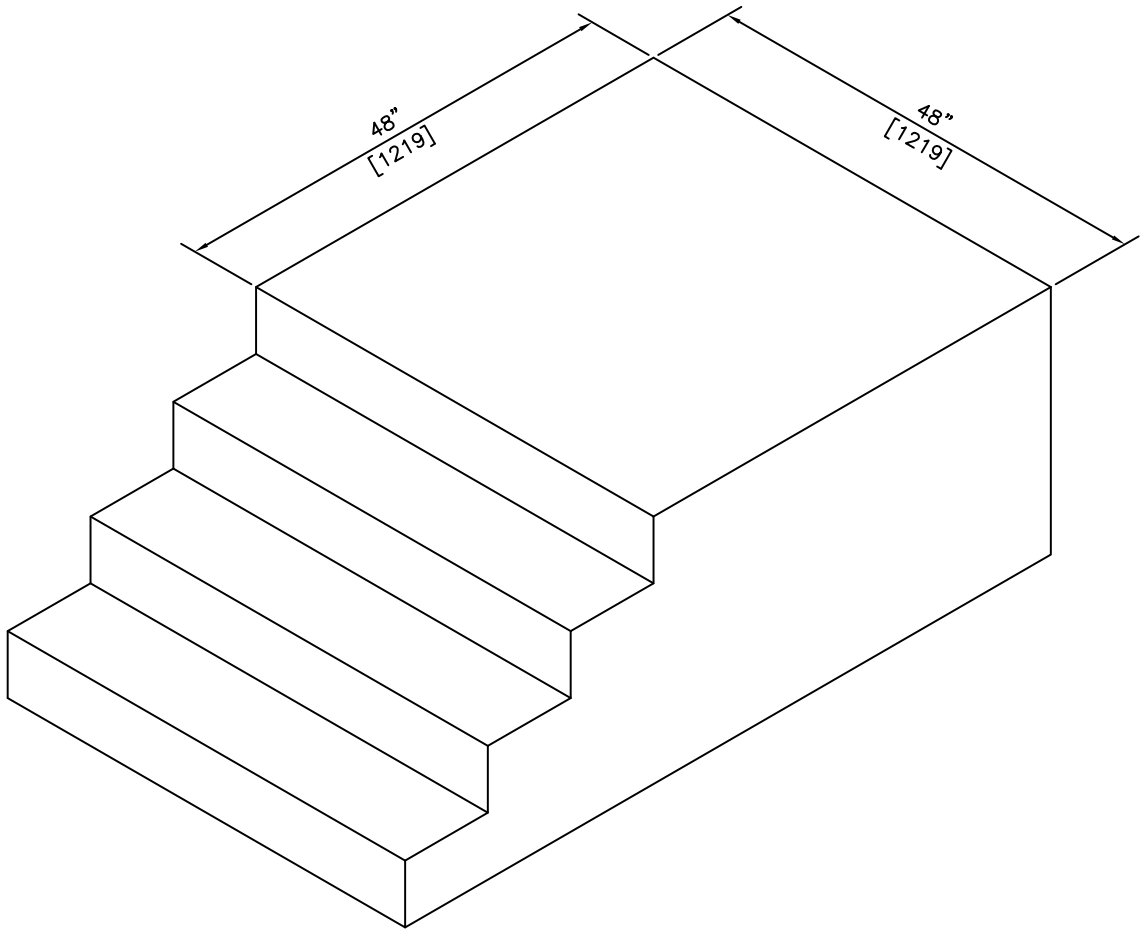
NOTES:

- 1) 25 MPa @ 28 DAYS
- 2) FIBRILATED FIBRE STRAND REINFORCED CONCRETE

ITEM No.	DESCRIPTION
1308	AS SHOWN - APPROX. HT. = 14 1/2"
1309	3 RISER - APPROX. HT. = 21 3/4"

REVISED: MAR 28 2006

 <p>KON KAST products (2005) Ltd. "Committed To Quality And Service"</p>	<p>3440 UNIVERSITY WAY KELOWNA B.C. V1V 1V9 PH: (250)765-1423 FX: (250)765-0820</p>	BY: PKR	<p>4' WIDE x 42" LANDING OPEN BACK STEP</p>	ITEM NO.
		DATE: MAR 15 05		1308
		SCALE: NTS		TO 1309



RISER = APPROXIMATELY 7 1/4"


ISOMETRIC

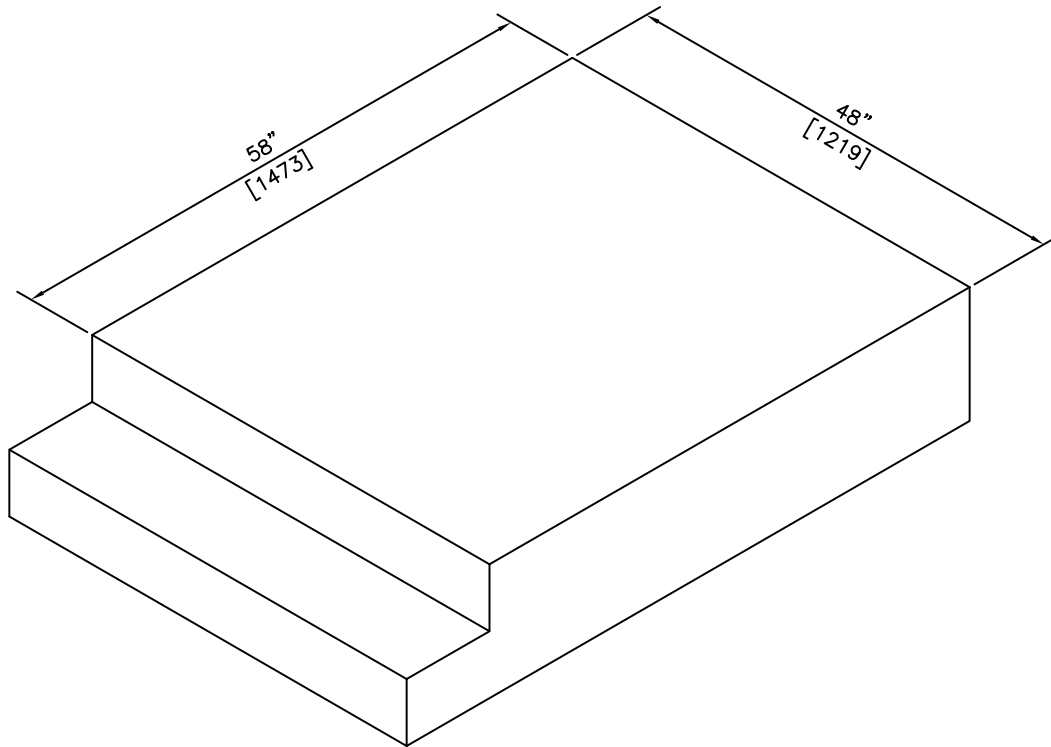
ITEM No.	DESCRIPTION
1310	AS SHOWN - APPROX. HT. = 29"
1311	5 RISER - APPROX. HT. = 36 1/4"
1312	6 RISER - APPROX. HT. = 43 1/2"

NOTES:

- 1) 25 MPa @ 28 DAYS
- 2) FIBRILATED FIBRE STRAND REINFORCED CONCRETE

REVISED: MAR 28 2006

 <p>KON KAST products (2005) Ltd. "Committed To Quality And Service"</p>	<p>3440 UNIVERSITY WAY KELOWNA B.C. V1V 1V9 PH: (250)765-1423 FX: (250)765-0820</p>	<p>BY: PKR</p>	<p>4' WIDE x 48" LANDING SOLID BACK STEP</p>	<p>ITEM NO.</p>
		<p>DATE: MAR 15 05</p>		<p>1310</p>
		<p>SCALE: NTS</p>		<p>TO 1312</p>



RISER = APPROXIMATELY 7 1/4"


ISOMETRIC

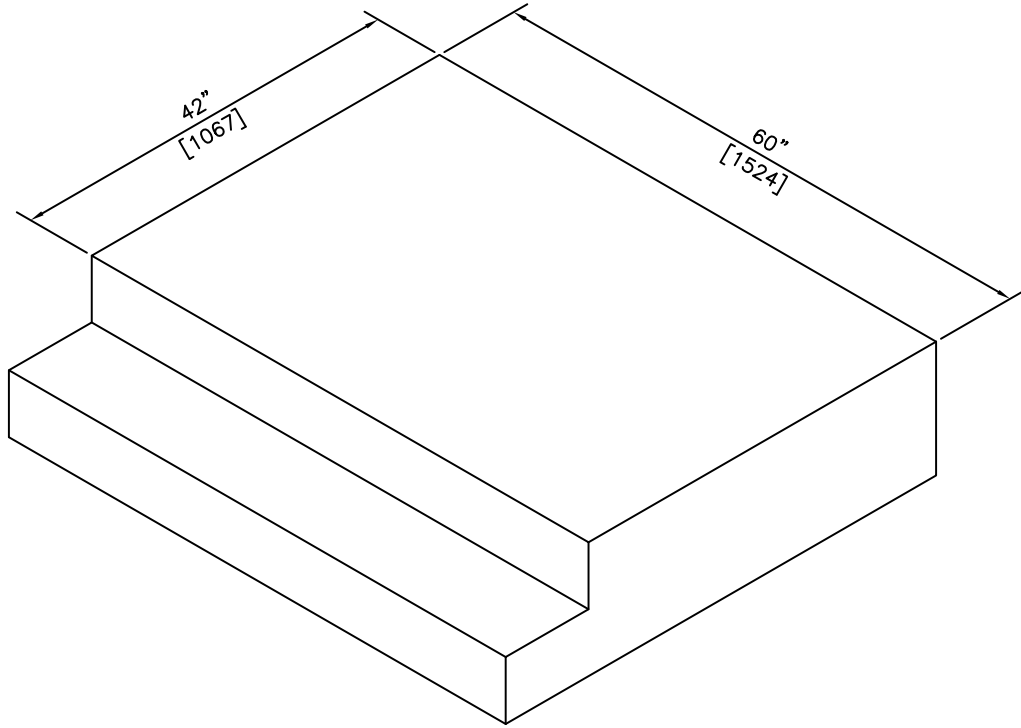
ITEM No.	DESCRIPTION
1313	AS SHOWN - APPROX. HT. = 29"
1314	3 RISER - APPROX. HT. = 21 3/4"
1315	4 RISER - APPROX. HT. = 29"
1316	5 RISER - APPROX. HT. = 36 1/4"

NOTES:

- 1) 25 MPa @ 28 DAYS
- 2) FIBRILATED FIBRE STRAND REINFORCED CONCRETE

REVISED: MAR 28 2006

 <p>KON KAST products (2005) Ltd. "Committed To Quality And Service"</p>	<p>3440 UNIVERSITY WAY KELOWNA B.C. V1V 1V9 PH: (250)765-1423 FX: (250)765-0820</p>	BY: PKR	<p>4' WIDE x 58" LANDING SOLID BACK STEP</p>	ITEM NO.
		DATE: MAR 15 05		<p>1313 TO 1316</p>
		SCALE: NTS		



RISER = APPROXIMATELY 7 1/4"


ISOMETRIC

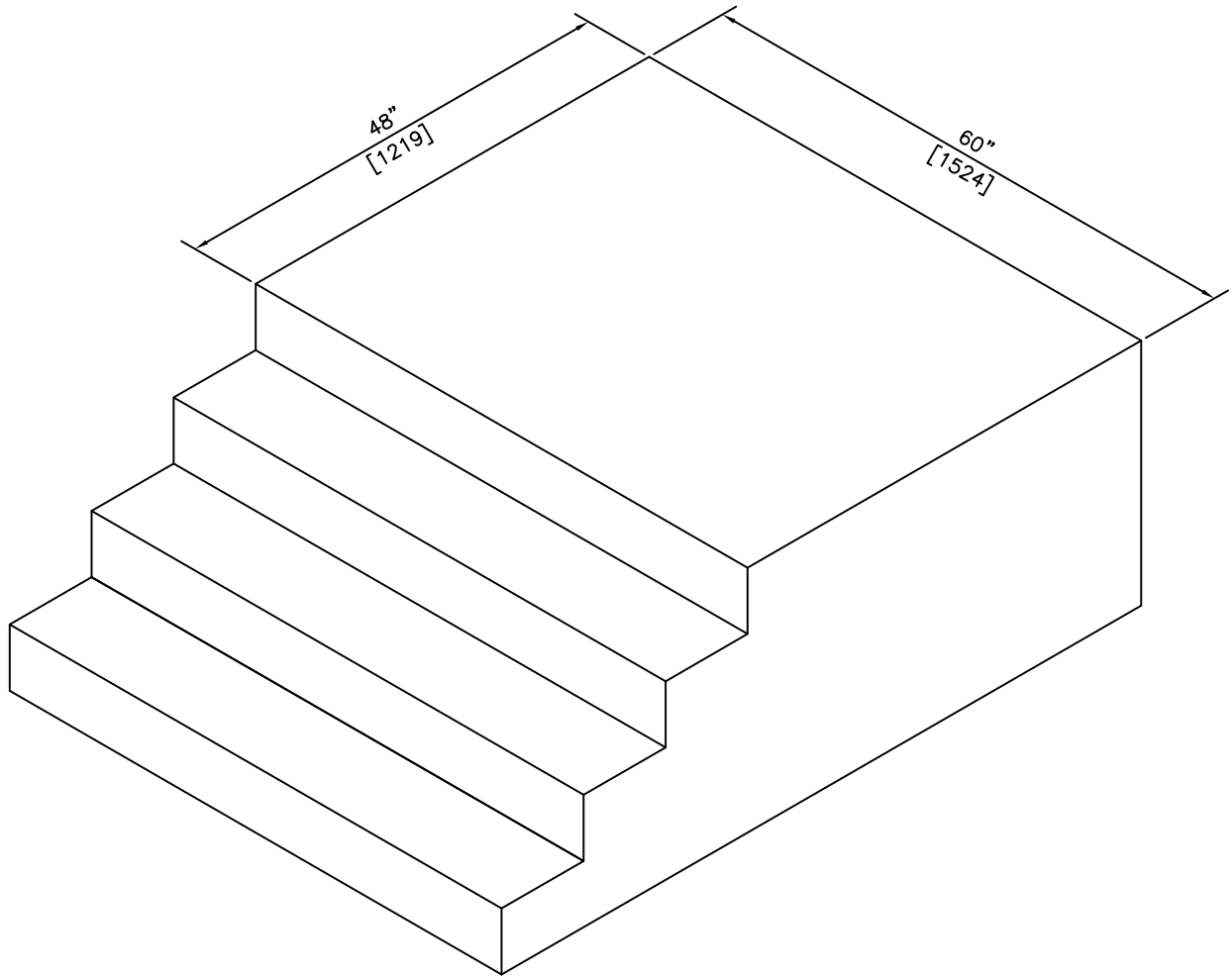
NOTES:

- 1) 25 MPa @ 28 DAYS
- 2) FIBRILATED FIBRE STRAND REINFORCED CONCRETE

ITEM No.	DESCRIPTION
1317	AS SHOWN - APPROX. HT. = 14 1/2"
1318	3 RISER - APPROX. HT. = 21 3/4"

REVISED: MAR 28 2006

 <p>KON KAST products (2005) Ltd. "Committed To Quality And Service"</p>	<p>3440 UNIVERSITY WAY KELOWNA B.C. V1V 1V9 PH: (250)765-1423 FX: (250)765-0820</p>	BY: PKR	<p>5' WIDE x 42" LANDING OPEN BACK STEP</p>	ITEM NO.
		DATE: MAR 15 05		<p>1317 TO 1318</p>
		SCALE: NTS		



RISER = APPROXIMATELY 7 1/4"


ISOMETRIC

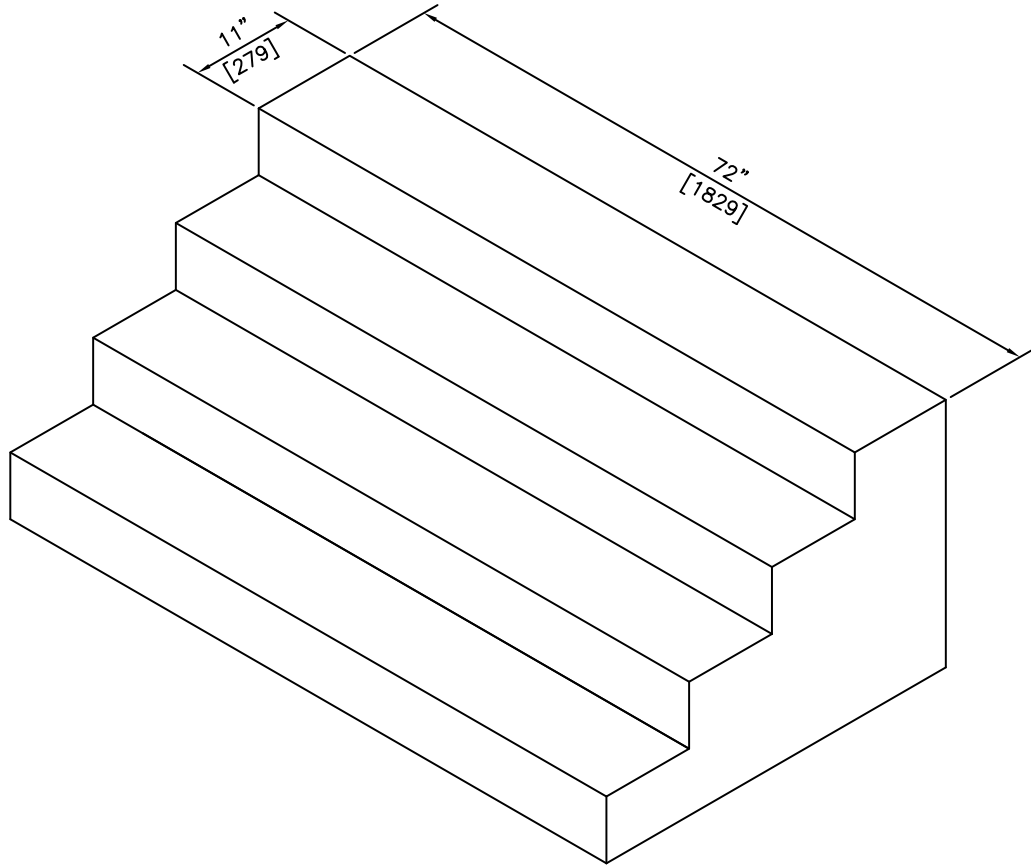
ITEM No.	DESCRIPTION
1319	AS SHOWN - APPROX. HT. = 29"
1320	5 RISER - APPROX. HT. = 36 1/4"
1321	6 RISER - APPROX. HT. = 43 1/2"

NOTES:

- 1) 25 MPa @ 28 DAYS
- 2) FIBRILATED FIBRE STRAND REINFORCED CONCRETE

REVISED: MAR 28 2006

 <p>KON KAST products (2005) Ltd. "Committed To Quality And Service"</p>	<p>3440 UNIVERSITY WAY KELOWNA B.C. V1V 1V9 PH: (250)765-1423 FX: (250)765-0820</p>	BY: PKR	<p>5' WIDE x 48" LANDING OPEN BACK STEP</p>	ITEM NO.
		DATE: MAR 15 05		<p>1319 TO 1321</p>
		SCALE: NTS		



RISER = APPROXIMATELY 7 1/4"


ISOMETRIC

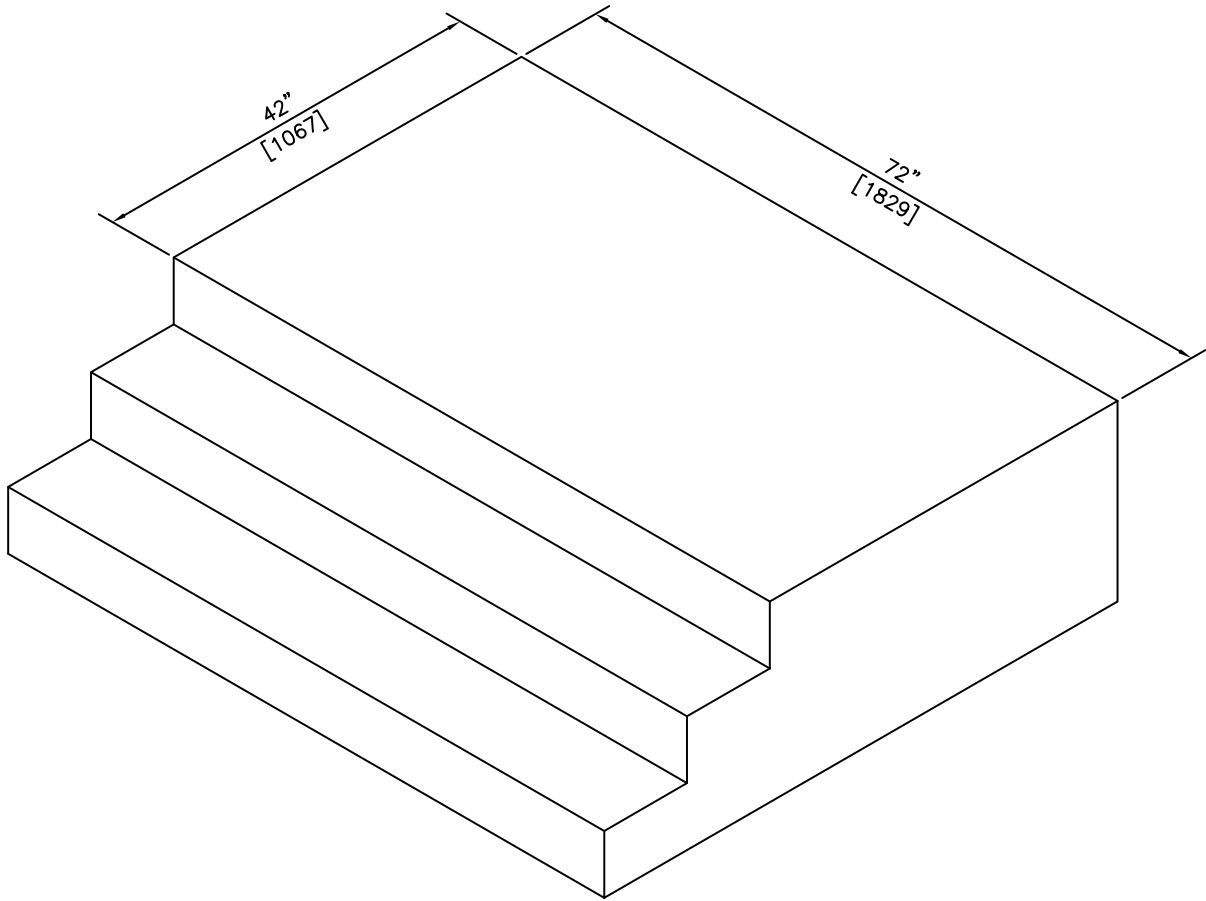
ITEM No.	DESCRIPTION
1322	1 RISER - APPROX. HT. = 7 1/4"
1323	2 RISER - APPROX. HT. = 14 1/2"
1324	3 RISER - APPROX. HT. = 21 3/4"
1325	AS SHOWN - APPROX. HT. = 29"

NOTES:

- 1) 25 MPa @ 28 DAYS
- 2) FIBRILATED FIBRE STRAND REINFORCED CONCRETE

REVISED: MAR 28 2006

 <p>KON KAST products (2005) Ltd. "Committed To Quality And Service"</p>	<p>3440 UNIVERSITY WAY KELOWNA B.C. V1V 1V9 PH: (250)765-1423 FX: (250)765-0820</p>	BY: PKR	<p>6' WIDE x 11" LANDING OPEN BACK STEP</p>	ITEM NO.
		DATE: MAR 15 05		<p>1322 TO 1325</p>
		SCALE: NTS		



RISER = APPROXIMATELY 7 1/4"


ISOMETRIC

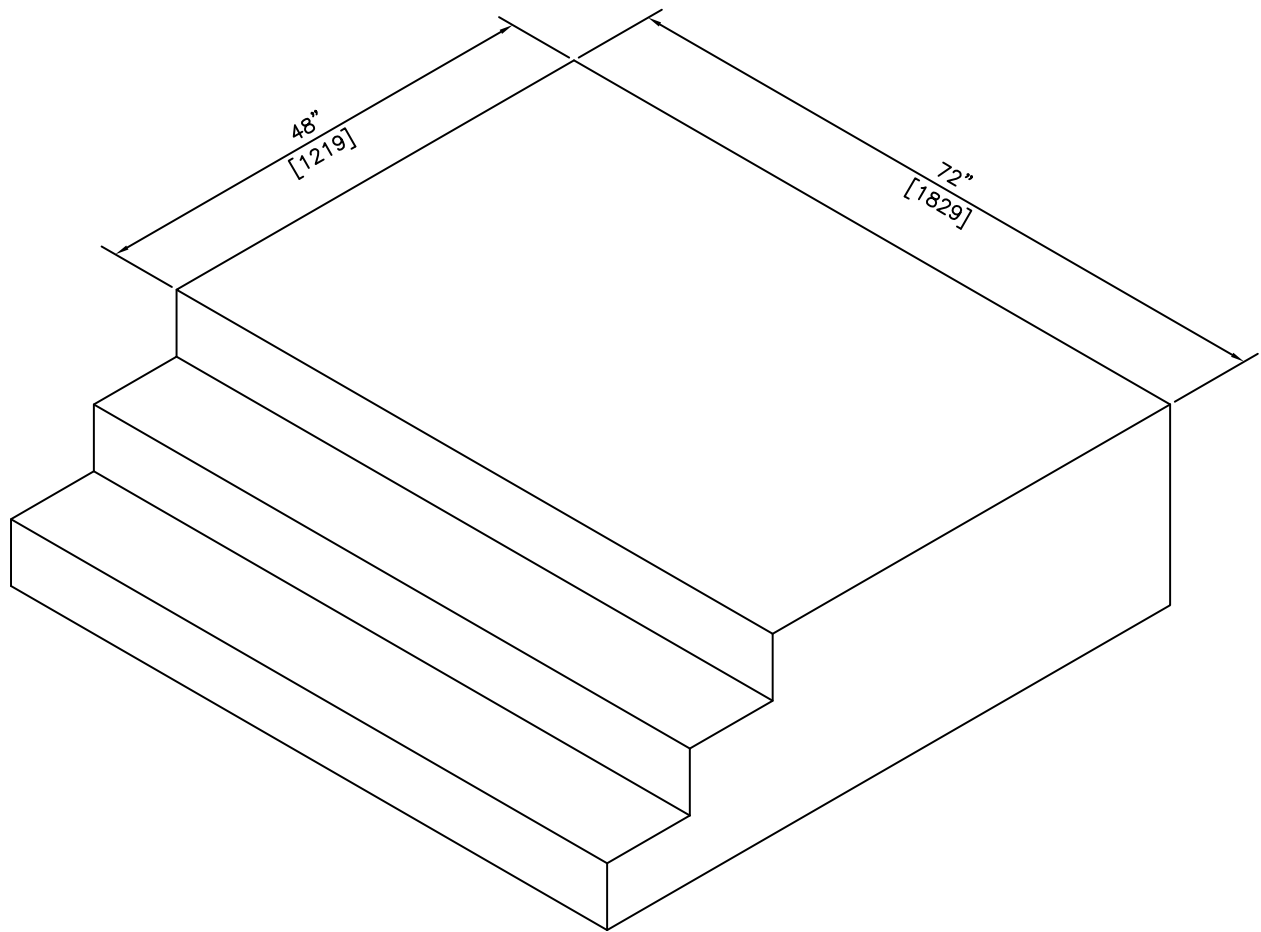
NOTES:

- 1) 25 MPa @ 28 DAYS
- 2) FIBRILATED FIBRE STRAND REINFORCED CONCRETE

ITEM No.	DESCRIPTION
1326	2 RISER - APPROX. HT. = 14 1/2"
1327	AS SHOWN - APPROX. HT. = 21 3/4"

REVISED: MAR 28 2006

 <p>KON KAST products (2005) Ltd. "Committed To Quality And Service"</p>	<p>3440 UNIVERSITY WAY KELOWNA B.C. V1V 1V9 PH: (250)765-1423 FX: (250)765-0820</p>	BY: PKR	<p>6' WIDE x 42" LANDING OPEN BACK STEP</p>	ITEM NO.
		DATE: MAR 15 05		<p>1326 TO 1327</p>
		SCALE: NTS		



RISER = APPROXIMATELY 7 1/4"


ISOMETRIC

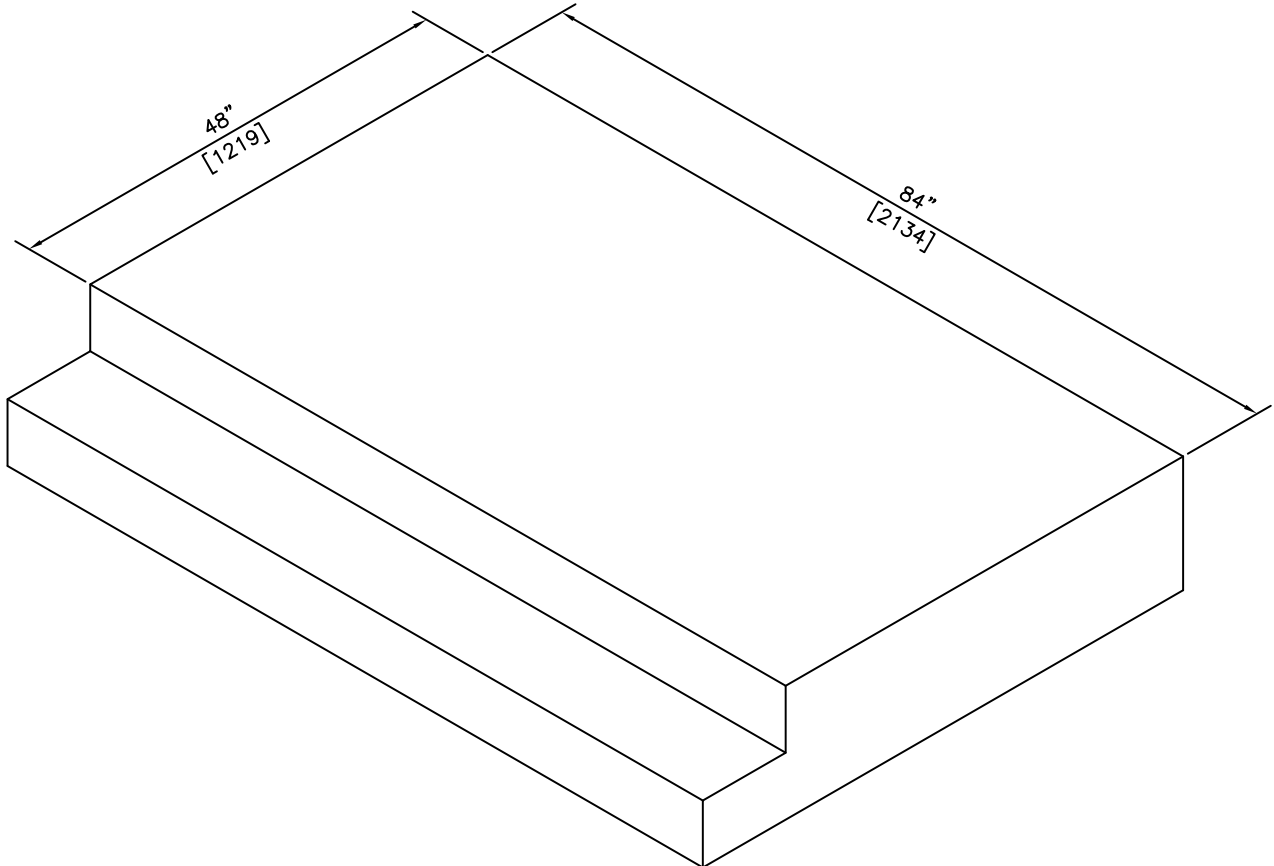
ITEM No.	DESCRIPTION
1328	2 RISER - APPROX. HT. = 14 1/2"
1329	AS SHOWN - APPROX. HT. = 21 3/4"
1330	4 RISER - APPROX. HT. = 29"

NOTES:

- 1) 25 MPa @ 28 DAYS
- 2) FIBRILATED FIBRE STRAND REINFORCED CONCRETE

REVISED: MAR 28 2006

 <p>KON KAST products (2005) Ltd. "Committed To Quality And Service"</p>	<p>3440 UNIVERSITY WAY KELOWNA B.C. V1V 1V9 PH: (250)765-1423 FX: (250)765-0820</p>	<p>BY: PKR</p>	<p>6' WIDE x 48" LANDING OPEN BACK STEP</p>	<p>ITEM NO.</p>
		<p>DATE: MAR 15 05</p>		<p>1328</p>
		<p>SCALE: NTS</p>		<p>TO 1330</p>



RISER = APPROXIMATELY 7 1/4"


ISOMETRIC

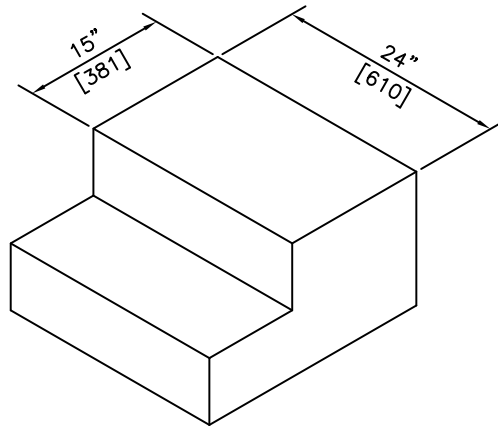
NOTES:

- 1) 25 MPa @ 28 DAYS
- 2) FIBRILATED FIBRE STRAND REINFORCED CONCRETE

ITEM No.	DESCRIPTION
1331	AS SHOWN - APPROX. HT. = 14 1/2"
1332	3 RISER - APPROX. HT. = 21 3/4"

REVISED: MAR 28 2006

 KON KAST products (2005) Ltd. "Committed To Quality And Service"	3440 UNIVERSITY WAY KELOWNA B.C. V1V 1V9 PH: (250)765-1423 FX: (250)765-0820	BY: PKR	7' WIDE x 48" LANDING OPEN BACK STEP	ITEM NO.
		DATE: MAR 15 05		1331 TO 1332
		SCALE: NTS		



RISER = APPROXIMATELY 7 1/4"

ISOMETRIC

NOTES:

- 1) 25 MPa @ 28 DAYS
- 2) FIBRILATED FIBRE STRAND REINFORCED CONCRETE

ITEM No.	DESCRIPTION
1333	1 RISER - APPROX. HT. = 7 1/4"
1334	AS SHOWN - APPROX. HT. = 14 1/2"

REVISED: AUG 24 2006



"Committed To Quality And Service"

KON KAST

products (2005) Ltd.

3440 UNIVERSITY WAY
 KELOWNA B.C.
 V1V 1V9
 PH: (250)765-1423
 FX: (250)765-0820

BY: PKR

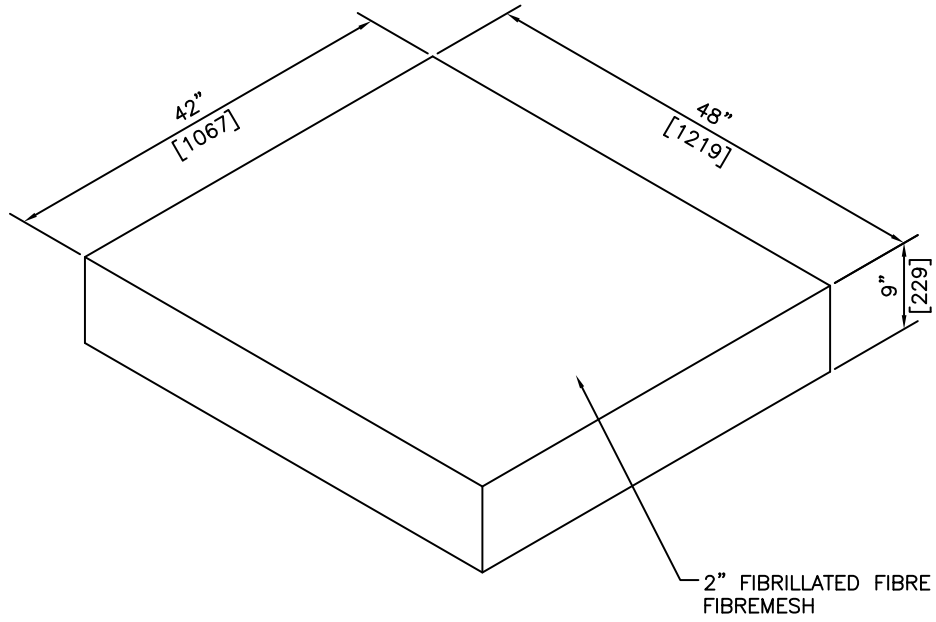
DATE: MAR 15 05

SCALE: NTS

**2' WIDE
 x 15" LANDING
 OPEN BACK STEP**

ITEM NO.

**1333
 TO
 1334**




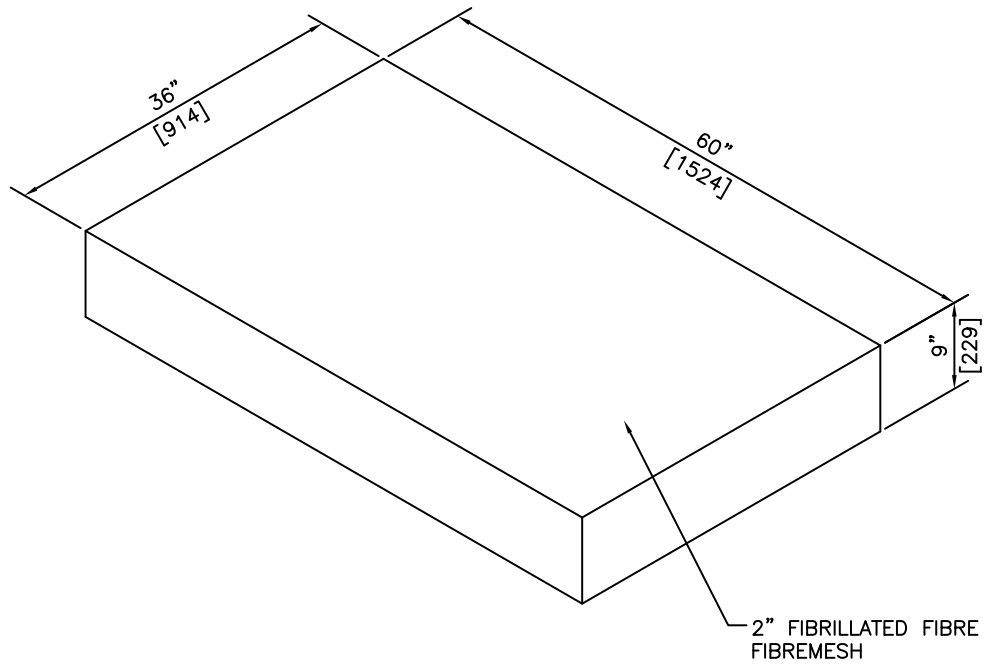
ISOMETRIC

NOTES:

1) 25 MPa @ 28 DAYS

REVISED: MAR 13 2005

 <p>KON KAST products (2005) Ltd. "Committed To Quality And Service"</p>	<p>3440 UNIVERSITY WAY KELOWNA B.C. V1V 1V9 PH: (250)765-1423 FX: (250)765-0820</p>	BY: PKR	<p>PAD</p>	ITEM NO.
		DATE: MAR 13 05		<p>1365</p>
		SCALE: NTS		




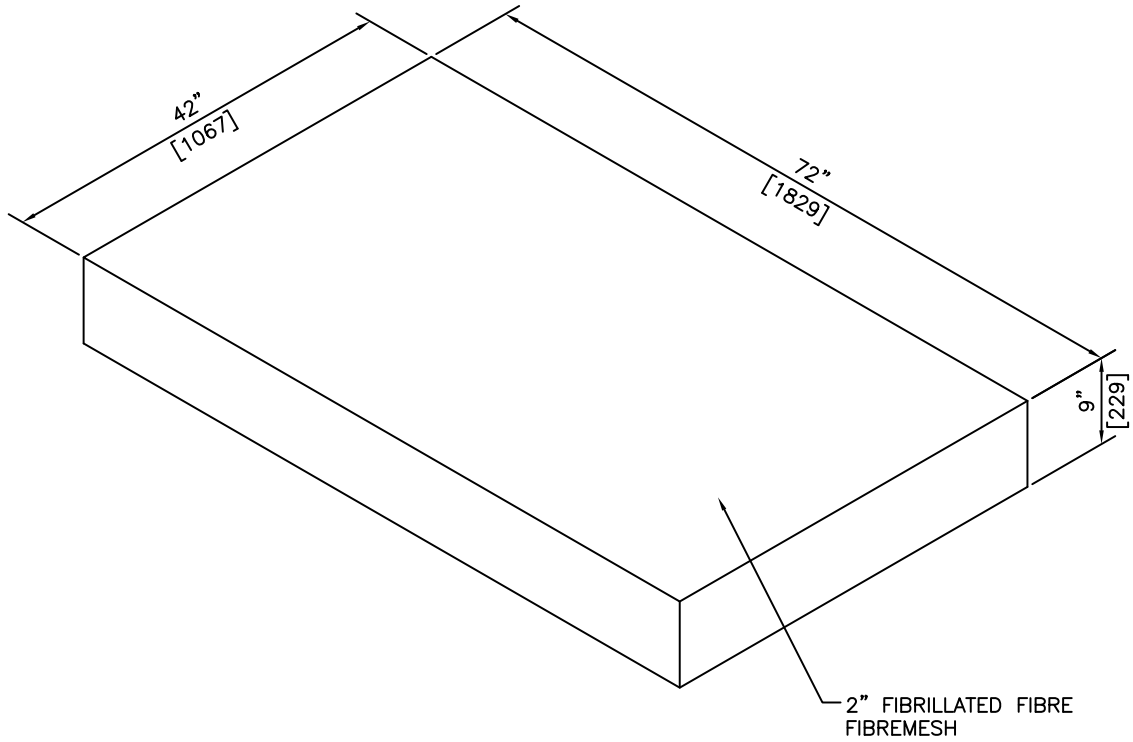
ISOMETRIC

NOTES:

1) 25 MPa @ 28 DAYS

REVISED: MAR 13 2005

 <p>KON KAST products (2005) Ltd. "Committed To Quality And Service"</p>	<p>3440 UNIVERSITY WAY KELOWNA B.C. V1V 1V9 PH: (250)765-1423 FX: (250)765-0820</p>	BY: PKR	<p>PAD</p>	ITEM NO.
		DATE: MAR 13 05		<p>1366</p>
		SCALE: NTS		




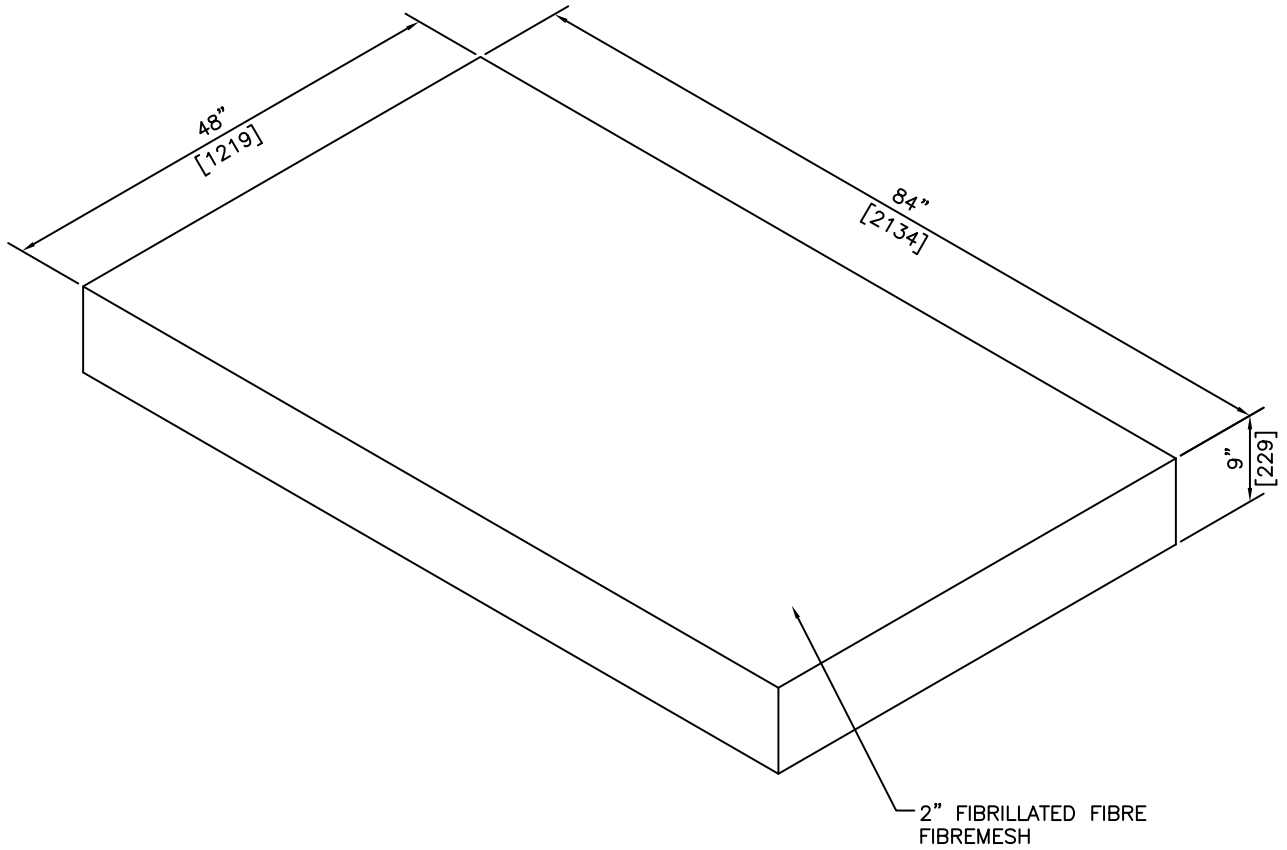
ISOMETRIC

NOTES:

1) 25 MPa @ 28 DAYS

REVISED: MAR 13 2005

 <p>KON KAST products (2005) Ltd. "Committed To Quality And Service"</p>	<p>3440 UNIVERSITY WAY KELOWNA B.C. V1V 1V9 PH: (250)765-1423 FX: (250)765-0820</p>	BY: PKR	<p>PAD</p>	ITEM NO.
		DATE: MAR 13 05		<p>1367</p>
		SCALE: NTS		




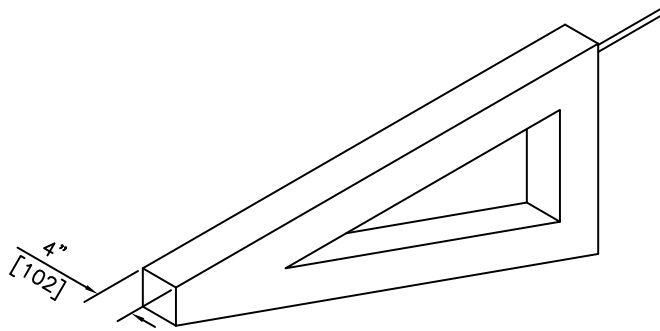
ISOMETRIC

NOTES:

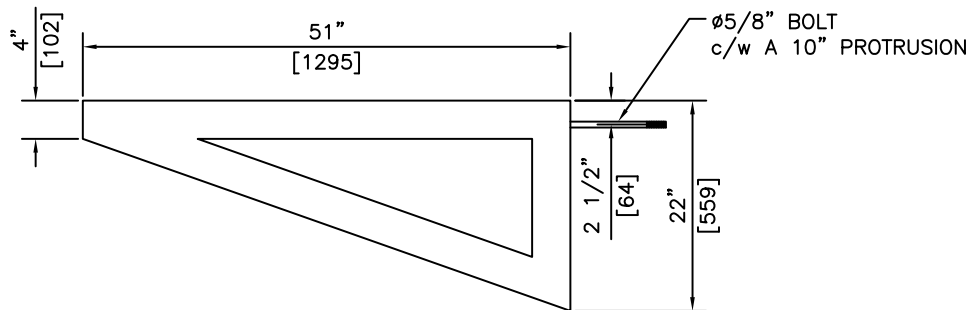
1) 25 MPa @ 28 DAYS

REVISED: MAR 13 2005

 <p>KON KAST products (2005) Ltd. "Committed To Quality And Service"</p>	<p>3440 UNIVERSITY WAY KELOWNA B.C. V1V 1V9 PH: (250)765-1423 FX: (250)765-0820</p>	BY: PKR	<p>PAD</p>	ITEM NO.
		DATE: MAR 13 05		<p>1368</p>
		SCALE: NTS		



ISOMETRIC




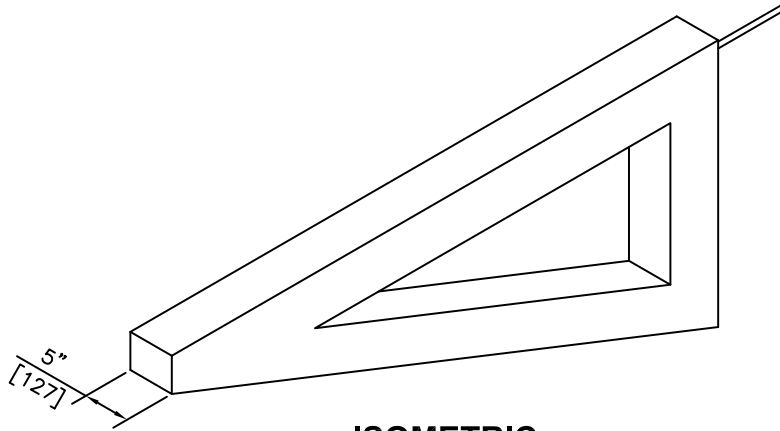
SECTION

NOTES:

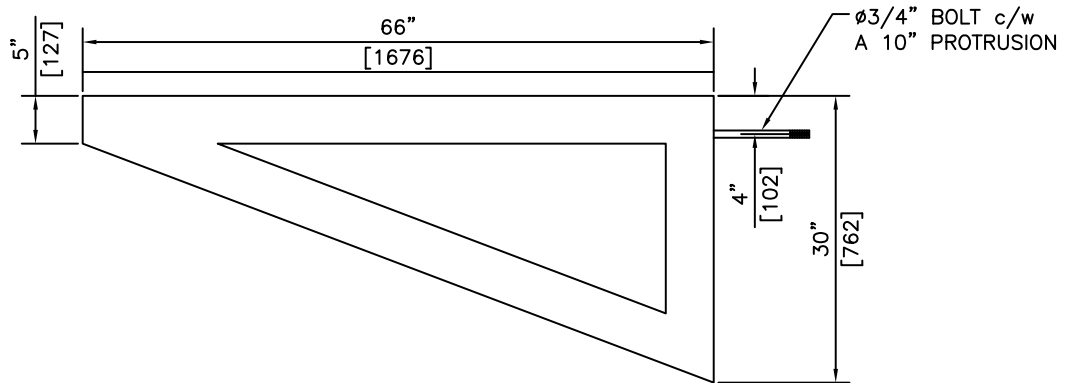
1) 27.6MPa @ 28 DAYS

REVISED: MAR 13 2005

 <p>KON KAST products (2005) Ltd. "Committed To Quality And Service"</p>	<p>3440 UNIVERSITY WAY KELOWNA B.C. V1V 1V9 PH: (250)765-1423 FX: (250)765-0820</p>	BY: PKR	<p>SMALL STEP BRACKETS</p>	ITEM NO.
		DATE: MAR 13 05		<p>1373</p>
		SCALE: NTS		



ISOMETRIC



SECTION

NOTES:

1) 27.6MPa @ 28 DAYS

REVISED: MAR 13 2005



KON KAST

products (2005) Ltd.
"Committed To Quality And Service"

3440 UNIVERSITY WAY
KELOWNA B.C.
V1V 1V9
PH: (250)765-1423
FX: (250)765-0820

BY: PKR

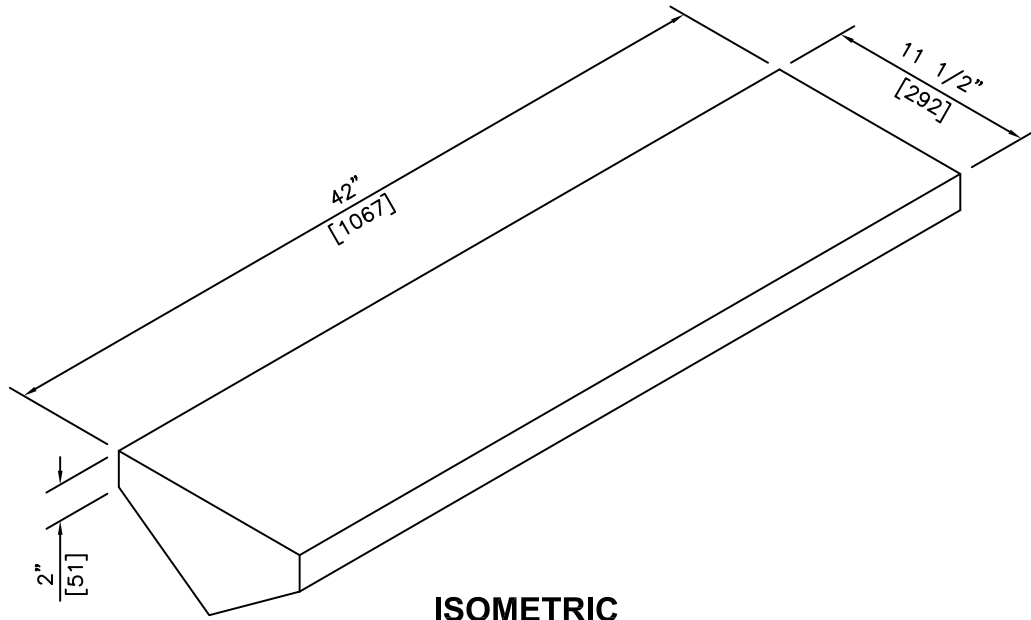
DATE: MAR 13 05

SCALE: NTS

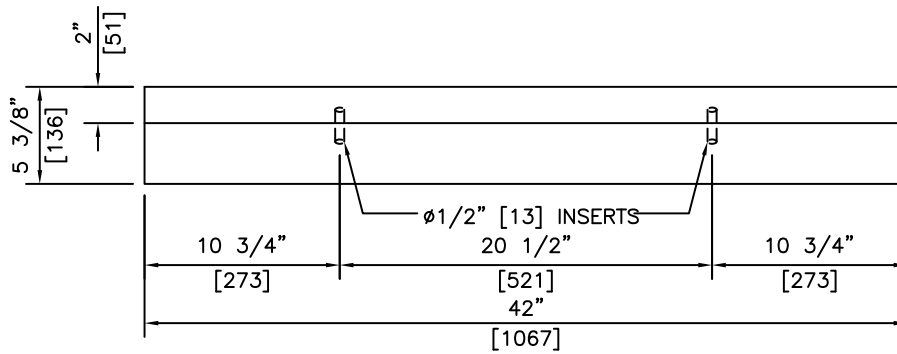
**LARGE
STEP
BRACKETS**

ITEM NO.

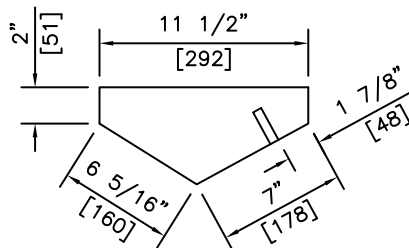
1374



ISOMETRIC



ELEVATION



SECTION

NOTES:

1) 27.6MPa @ 28 DAYS

REVISED: MAR 13 2005



KON KAST

products (2005) Ltd.
"Committed To Quality And Service"

3440 UNIVERSITY WAY
KELOWNA B.C.
V1V 1V9
PH: (250)765-1423
FX: (250)765-0820

BY: PKR

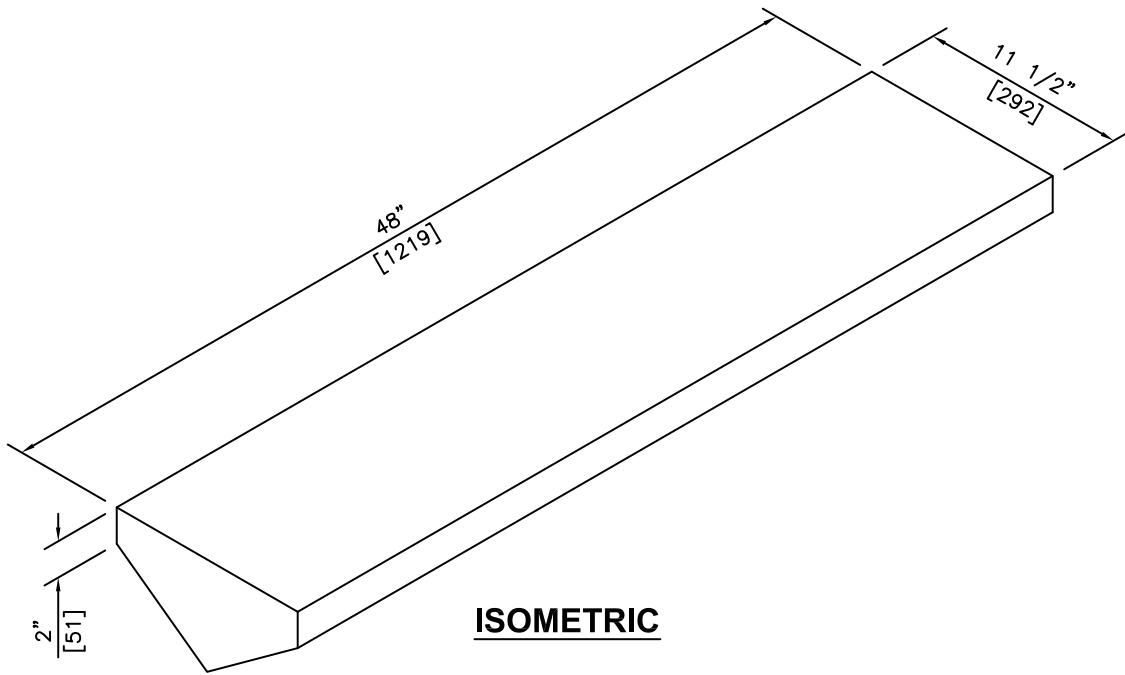
DATE: MAR 13 05

SCALE: NTS

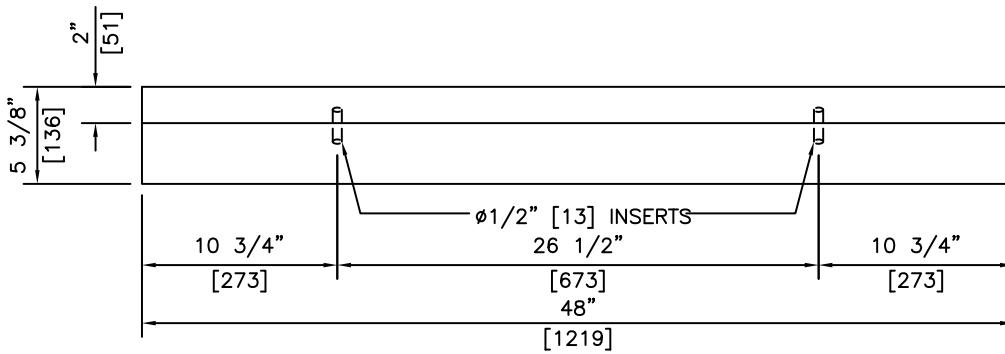
42" STEP TREADS

ITEM NO.

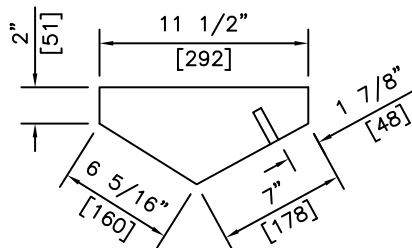
1377



ISOMETRIC



ELEVATION



SECTION

NOTES:

1) 27.6MPa @ 28 DAYS

REVISED: MAR 13 2005



KON KAST

products (2005) Ltd.
"Committed To Quality And Service"

3440 UNIVERSITY WAY
KELOWNA B.C.
V1V 1V9
PH: (250)765-1423
FX: (250)765-0820

BY: PKR

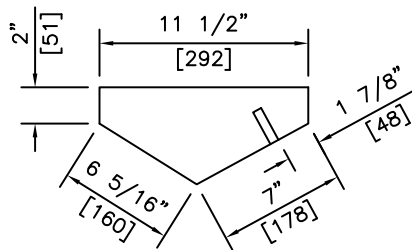
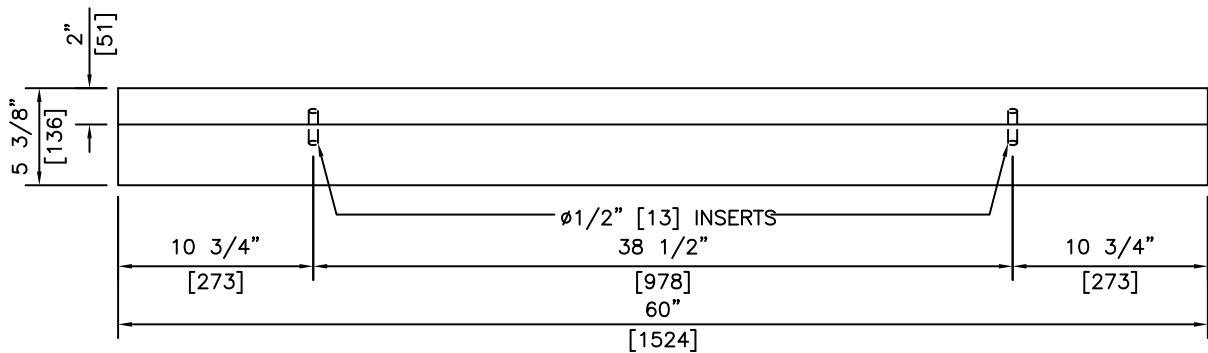
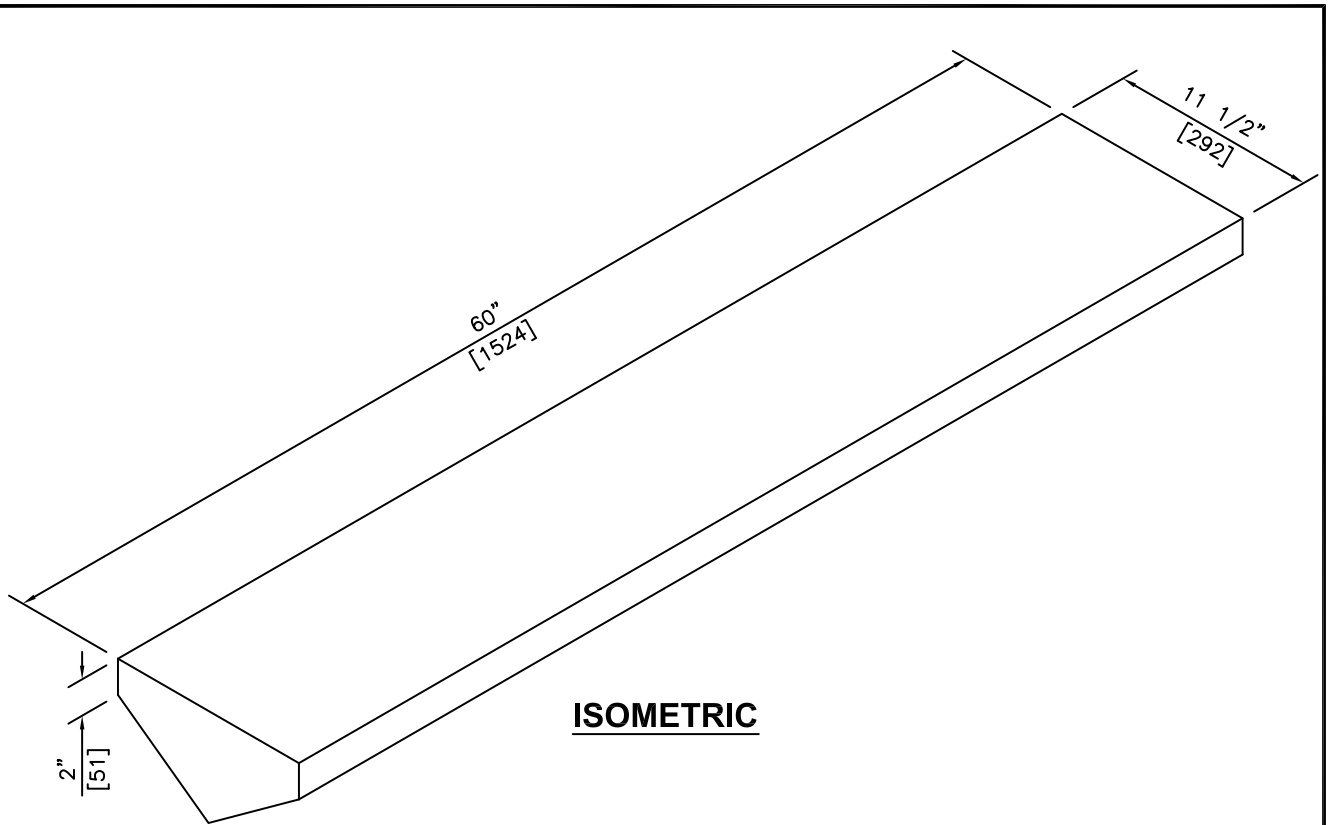
DATE: MAR 13 05

SCALE: NTS

48" STEP TREADS


ITEM NO.

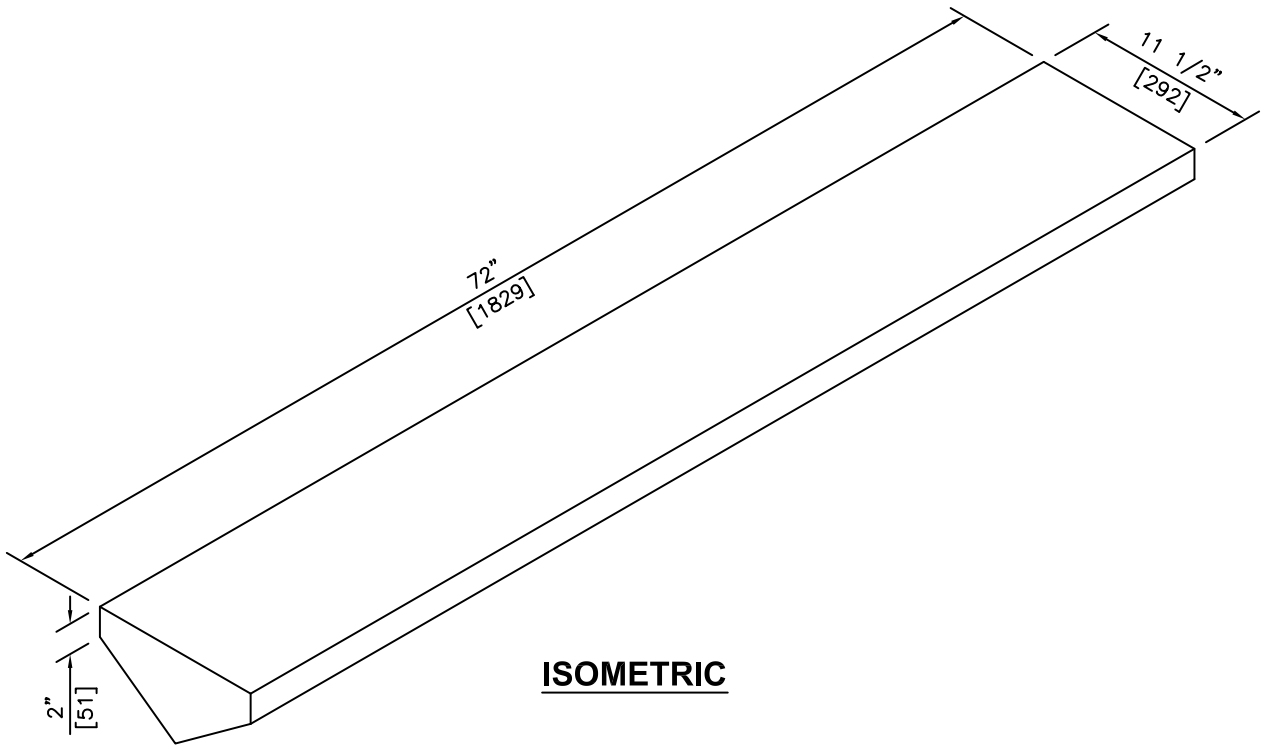
1378



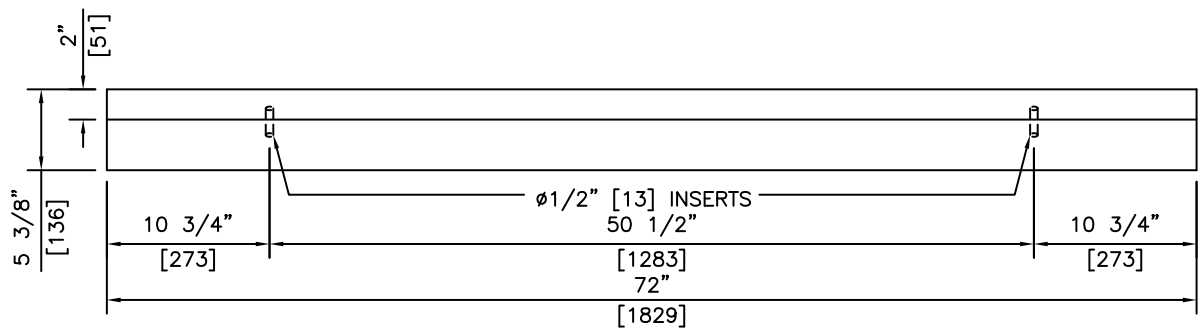
NOTES:
1) 27.6MPa @ 28 DAYS

REVISED: MAR 13 2005

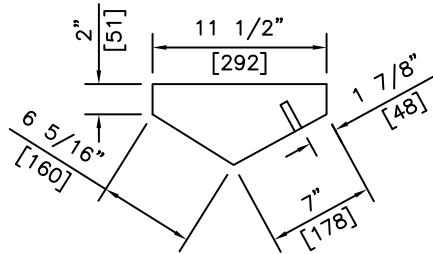
 KON KAST products (2005) Ltd. "Committed To Quality And Service"	3440 UNIVERSITY WAY KELOWNA B.C. V1V 1V9 PH: (250)765-1423 FX: (250)765-0820	BY: PKR DATE: MAR 13 05 SCALE: NTS	60" STEP TREADS	ITEM NO. 1379



ISOMETRIC




ELEVATION



SECTION

NOTES:
1) 27.6MPa @ 28 DAYS

REVISED: MAR 13 2005

 KON KAST products (2005) Ltd. "Committed To Quality And Service"	3440 UNIVERSITY WAY KELOWNA B.C. V1V 1V9 PH: (250)765-1423 FX: (250)765-0820	BY: PKR DATE: MAR 13 05 SCALE: NTS	72" STEP TREADS	ITEM NO. 1380