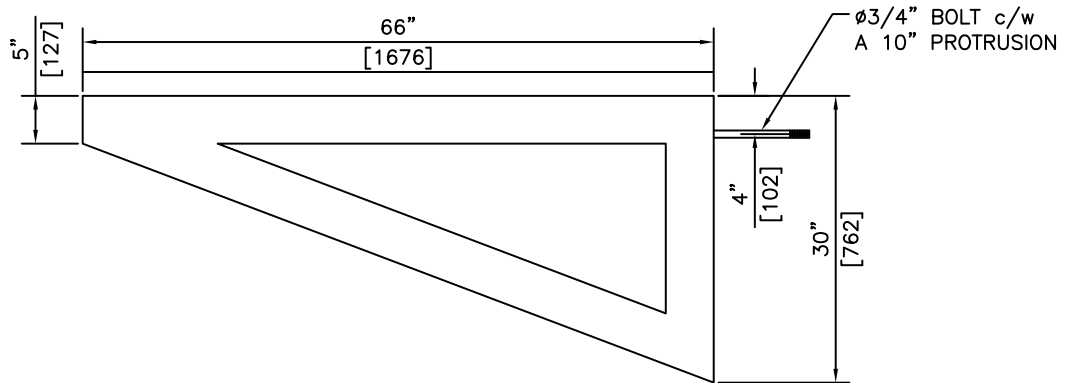


ISOMETRIC



SECTION

NOTES:

1) 27.6MPa @ 28 DAYS

REVISED: MAR 13 2005



KON KAST

products (2005) Ltd.
"Committed To Quality And Service"

3440 UNIVERSITY WAY
KELOWNA B.C.
V1V 1V9
PH: (250)765-1423
FX: (250)765-0820

BY: PKR

DATE: MAR 13 05

SCALE: NTS

**LARGE
STEP
BRACKETS**

ITEM NO.

1374