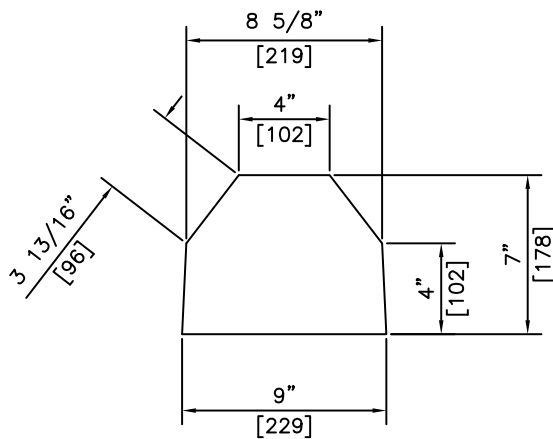


2 - $\phi 5/8$ " (16) HOLES
FOR HOLD DOWN PINS

ISOMETRIC




SECTION

NOTES:

- 1) 25 MPa @ 28 DAYS
- 2) c/w 10M x 15 1/2" LONG PINS

REVISED: FEB 16 2005

 <p>KON KAST products (2005) Ltd. "Committed To Quality And Service"</p>	<p>3440 UNIVERSITY WAY KELOWNA B.C. V1V 1V9 PH: (250)765-1423 FX: (250)765-0820</p>	BY: BMR	<p>PARKING LOT CURB 7" x 9" x 96" (178 x 229 x 2438)</p>	ITEM NO.
		DATE: FEB 16 05		<p>904</p>
		SCALE: NTS		