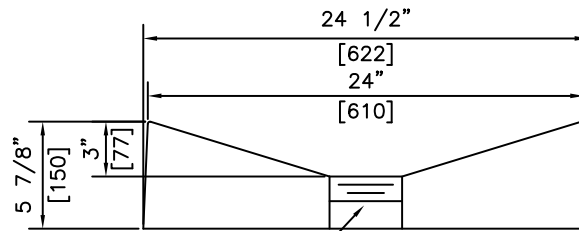


**ISOMETRIC**



Ø4" (100)  
SCREW PLUG

**SECTION**

**NOTES:**

1) 27.6 MPa @ 28 DAYS

REVISED: MAR 9 2005



"Committed To Quality And Service"

**KON KAST**

products (2005) Ltd.

3440 UNIVERSITY WAY  
KELOWNA B.C.  
V1V 1V9

PH: (250)765-1423

FX: (250)765-0820

BY: PKR

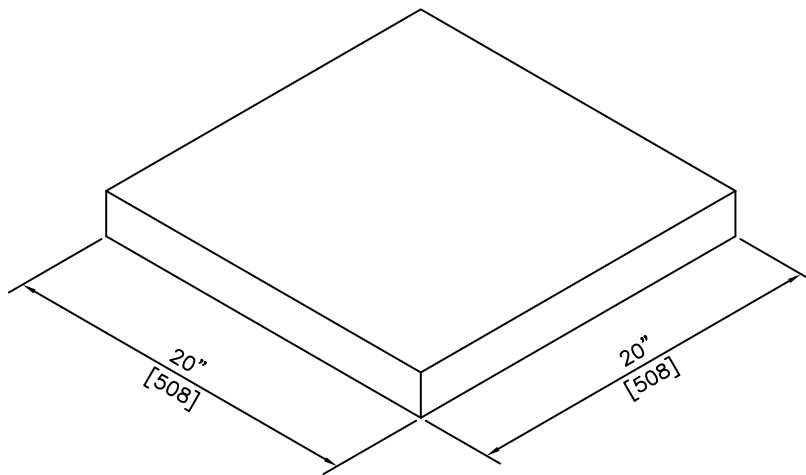
DATE: MAR 9 05

SCALE: NTS

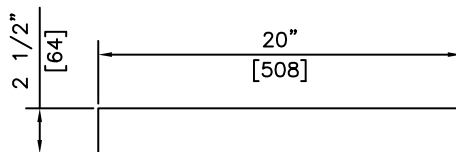
**24" (662)**  
**R.V. SEWER**  
**INLET PAD**

ITEM NO.

**1403**



**ISOMETRIC**



**SECTION**

**NOTES:**

1) 27.6 MPa @ 28 DAYS

REVISED: MAR 9 2005



"Committed To Quality And Service"

**KON KAST**

products (2005) Ltd.

3440 UNIVERSITY WAY  
KELOWNA B.C.  
V1V 1V9

PH: (250)765-1423

FX: (250)765-0820

BY: PKR

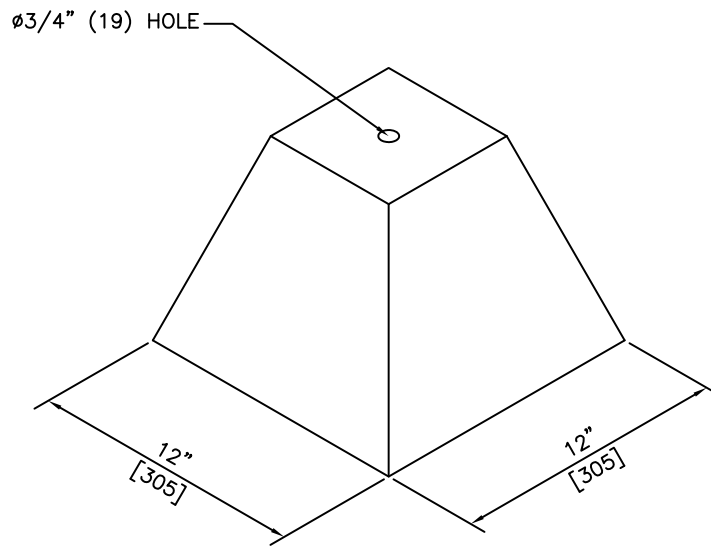
DATE: MAR 9 05

SCALE: NTS

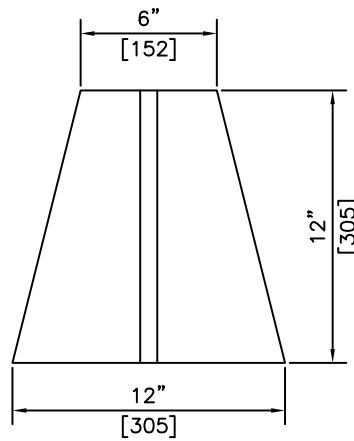
**TRAILER PAD**

ITEM NO.

**1404**



**ISOMETRIC**




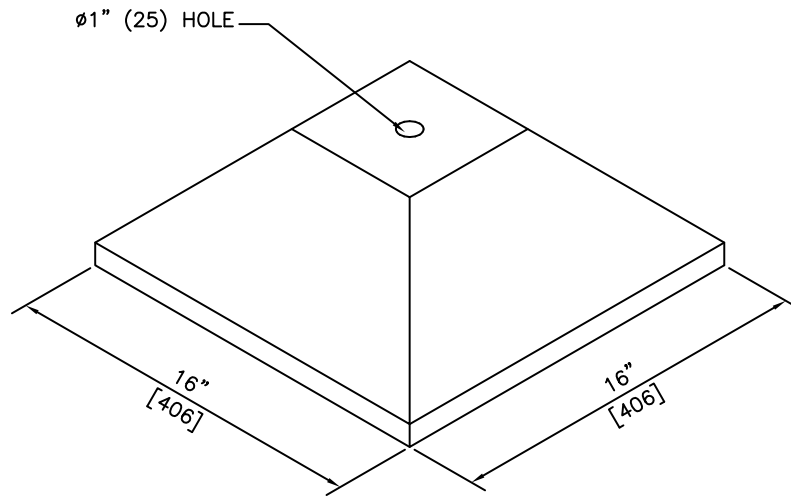
**SECTION**

**NOTES:**

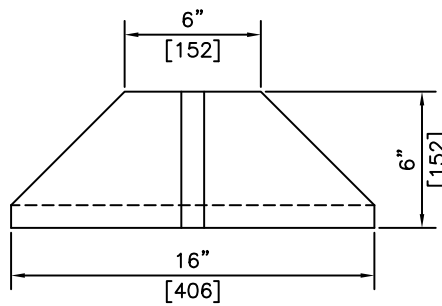
1) 27.6 MPa @ 28 DAYS

REVISED: MAR 9 2005

 <b>KON KAST</b> products (2005) Ltd. "Committed To Quality And Service"	3440 UNIVERSITY WAY KELOWNA B.C. V1V 1V9 PH: (250)765-1423 FX: (250)765-0820	BY: PKR	<b>12" x 12" x 12"</b> <b>PYRAMID</b> <b>BLOCK</b>	ITEM NO.
		DATE: MAR 9 05		<b>1405</b>
		SCALE: NTS		



**ISOMETRIC**




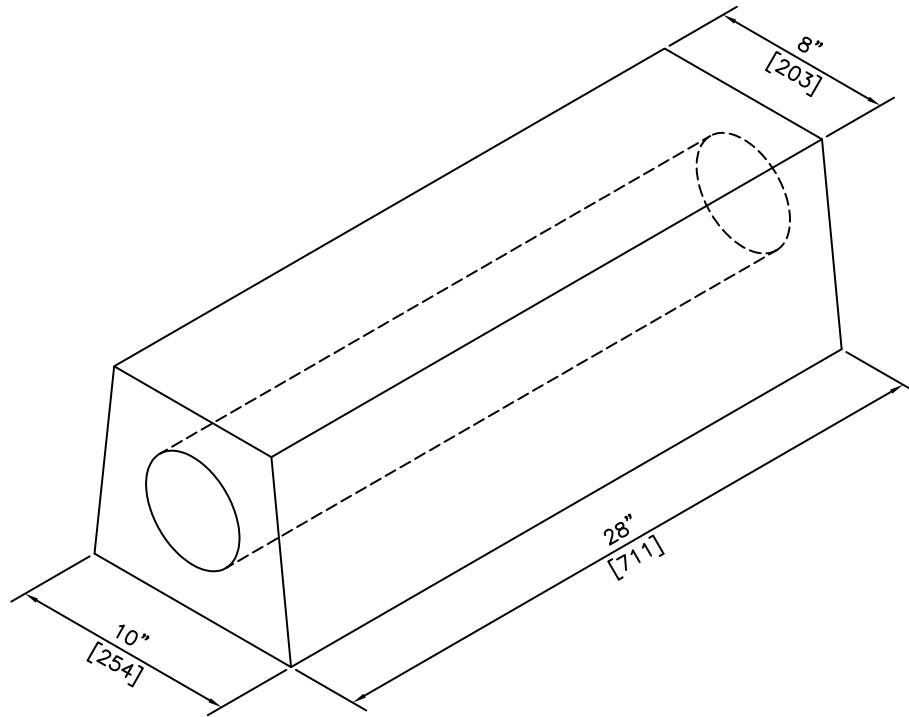
**SECTION**

**NOTES:**

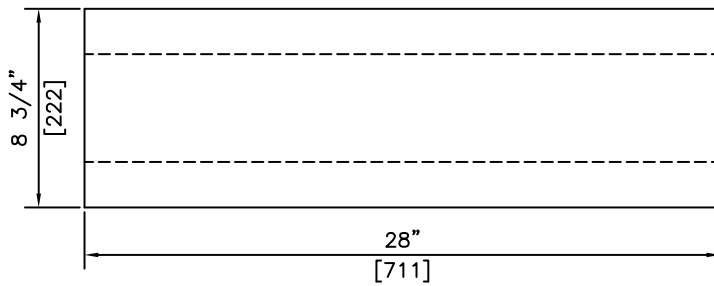
1) 27.6 MPa @ 28 DAYS

REVISED: MAR 10 2005

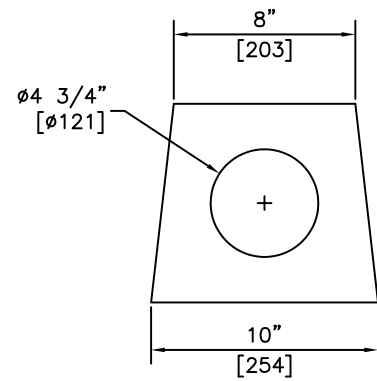
 <b>KON KAST</b> products (2005) Ltd. "Committed To Quality And Service"	3440 UNIVERSITY WAY KELOWNA B.C. V1V 1V9 PH: (250)765-1423 FX: (250)765-0820	BY: PKR DATE: MAR 10 05 SCALE: NTS	<b>16" x 16" x 6"</b> <b>PYRAMID</b> <b>BLOCK</b>	ITEM NO. <b>1406</b>



**ISOMETRIC**



**SECTION**




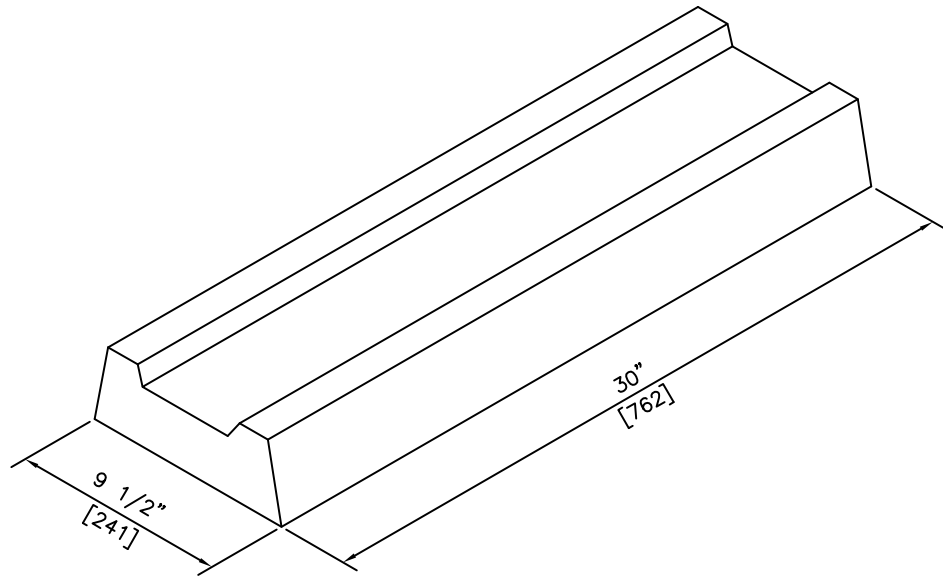
**ELEVATION**

**NOTES:**

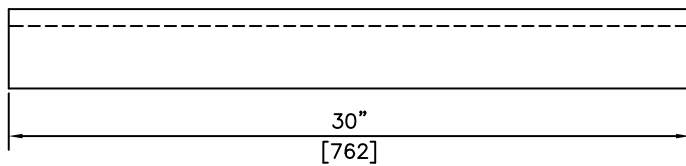
- 1) 27.6 MPa @ 28 DAYS
- 2) NOTE THAT THERE IS NOT ANY REBAR OR MESH INSTALLED

REVISED: MAR 10 2005

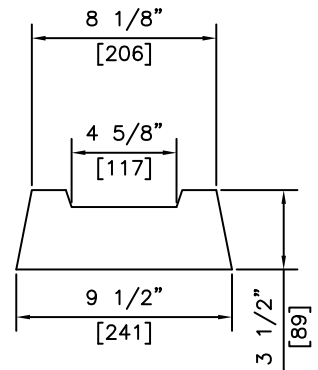
 <p><b>KON KAST</b> products (2005) Ltd. "Committed To Quality And Service"</p>	<p>3440 UNIVERSITY WAY KELOWNA B.C. V1V 1V9 PH: (250)765-1423 FX: (250)765-0820</p>	BY: PKR	<p><b>OLD STYLE PROPANE STAND</b></p>	ITEM NO.
		DATE: MAR 10 05		<p><b>1407</b></p>
		SCALE: NTS		



**ISOMETRIC**



**SECTION**




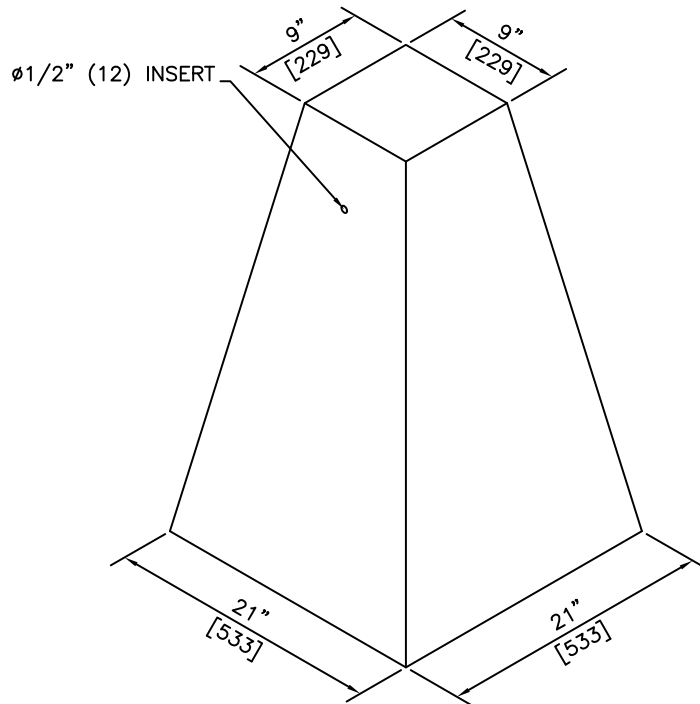
**ELEVATION**

**NOTES:**

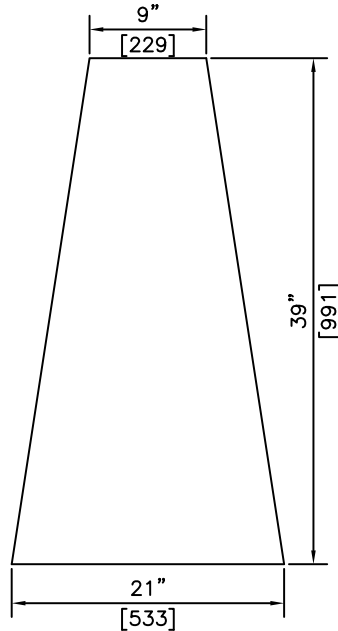
1) 27.6 MPa @ 28 DAYS

REVISED: MAY 3 2006

 <p><b>KON KAST</b> products (2005) Ltd. "Committed To Quality And Service"</p>	<p>3440 UNIVERSITY WAY KELOWNA B.C. V1V 1V9 PH: (250)765-1423 FX: (250)765-0820</p>	BY: PKR	<p><b>NEW STYLE PROPANE STAND</b></p>	ITEM NO.
		DATE: MAR 10 05		<p><b>1408</b></p>
		SCALE: NTS		



**ISOMETRIC**



**SECTION**

**NOTES:**

1) 27.6 MPa @ 28 DAYS

REVISED: MAR 10 2005



"Committed To Quality And Service"

**KON KAST**

products (2005) Ltd.

3440 UNIVERSITY WAY  
KELOWNA B.C.  
V1V 1V9

PH: (250)765-1423

FX: (250)765-0820

BY: PKR

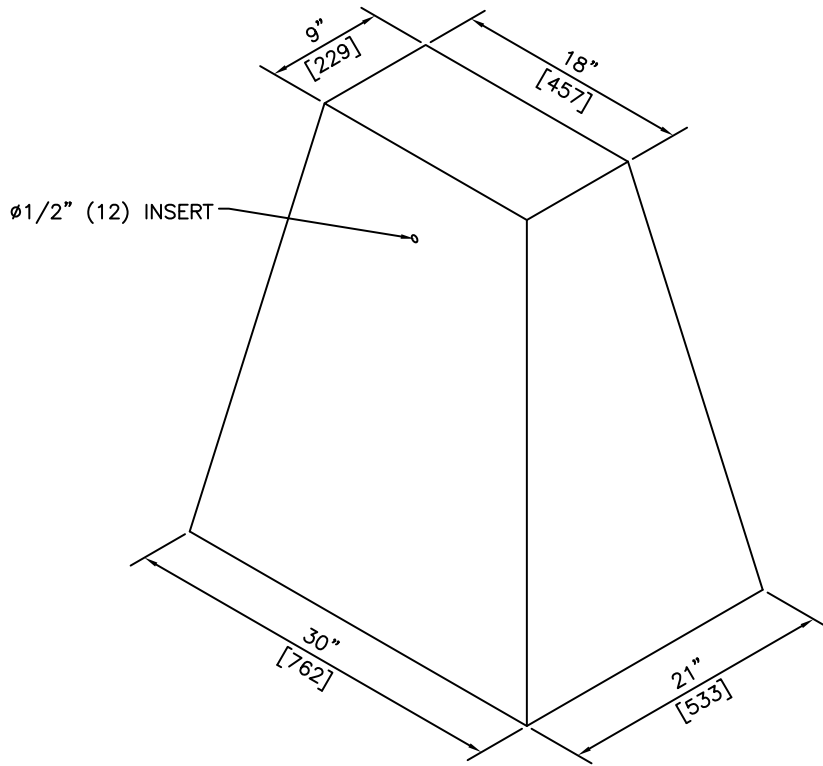
DATE: MAR 10 05

SCALE: NTS

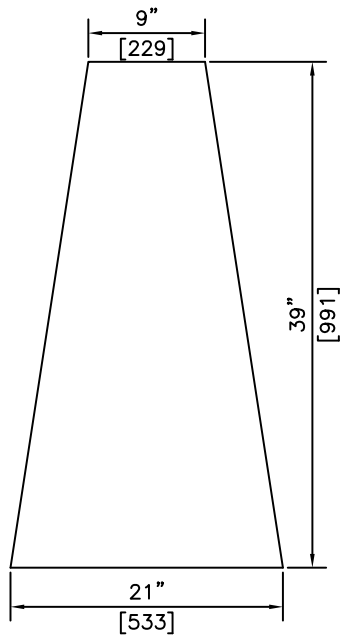
**PYRAMID BLOCK**

ITEM NO.

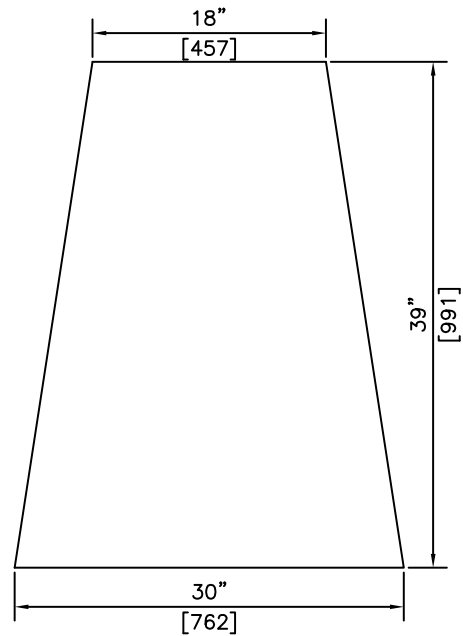
**1409**



**ISOMETRIC**



**SECTION**



**SECTION**

**NOTES:**

1) 27.6 MPa @ 28 DAYS

REVISED: MAR 10 2005



**KON KAST**  
products (2005) Ltd.

"Committed To Quality And Service"

3440 UNIVERSITY WAY  
KELOWNA B.C.  
V1V 1V9  
PH: (250)765-1423  
FX: (250)765-0820

BY: PKR

DATE: MAR 10 05

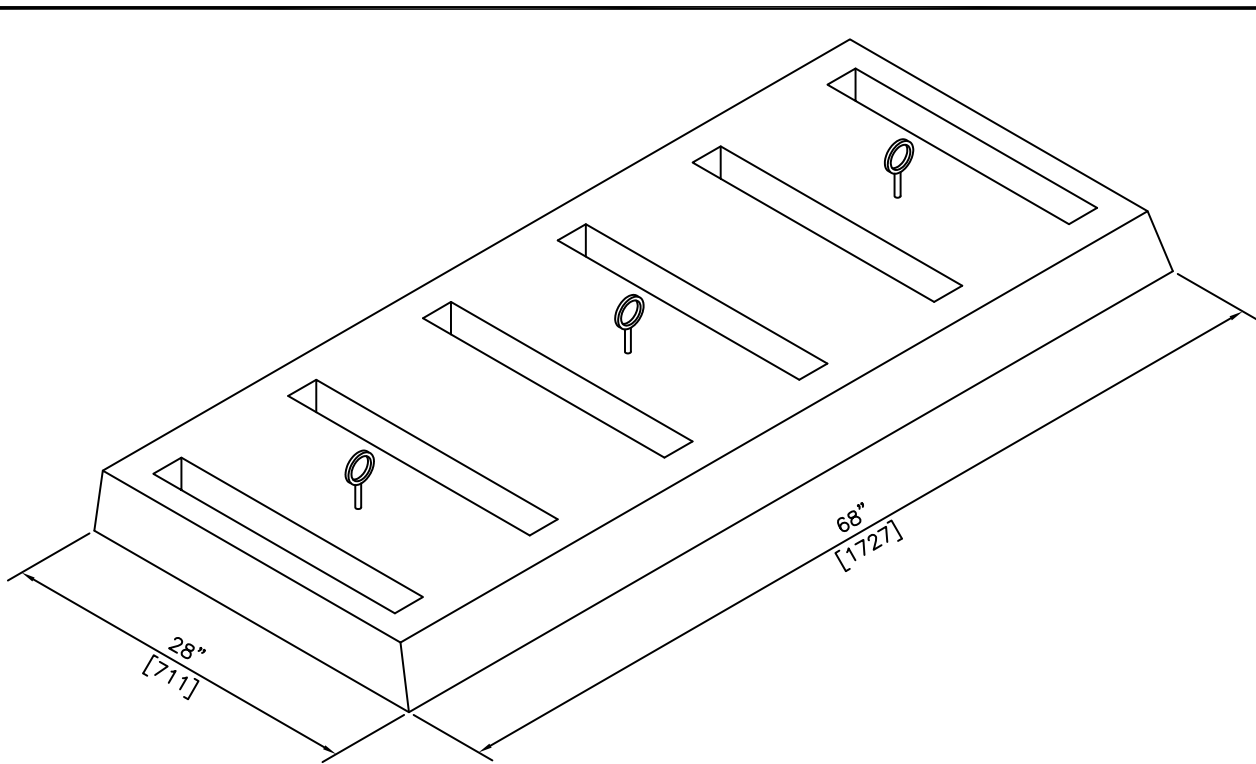
SCALE: NTS

**PYRAMID BLOCK**

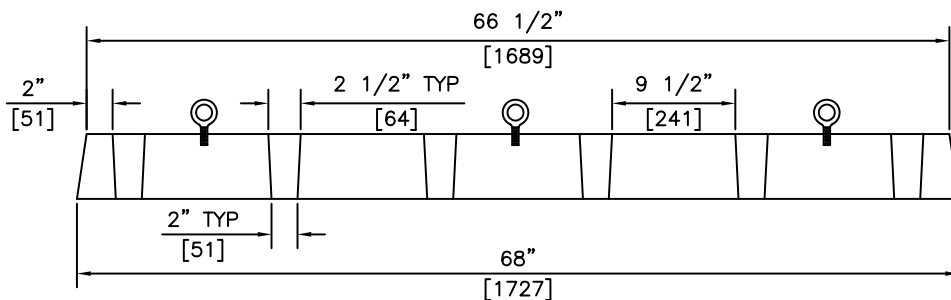
ITEM NO.

**1410**





**SECTION**



**SECTION**

ITEM No.	DESCRIPTION
1413	2 GROUP BICYCLE STAND
1414	3 GROUP BICYCLE STAND
1415	4 GROUP BICYCLE STAND
1416	5 GROUP BICYCLE STAND
1417	AS SHOWN

**NOTES:**

1) 25 MPa @ 28 DAYS

REVISED: JAN 27 2006

**KON KAST**  
products (2005) Ltd.  
"Committed To Quality And Service"

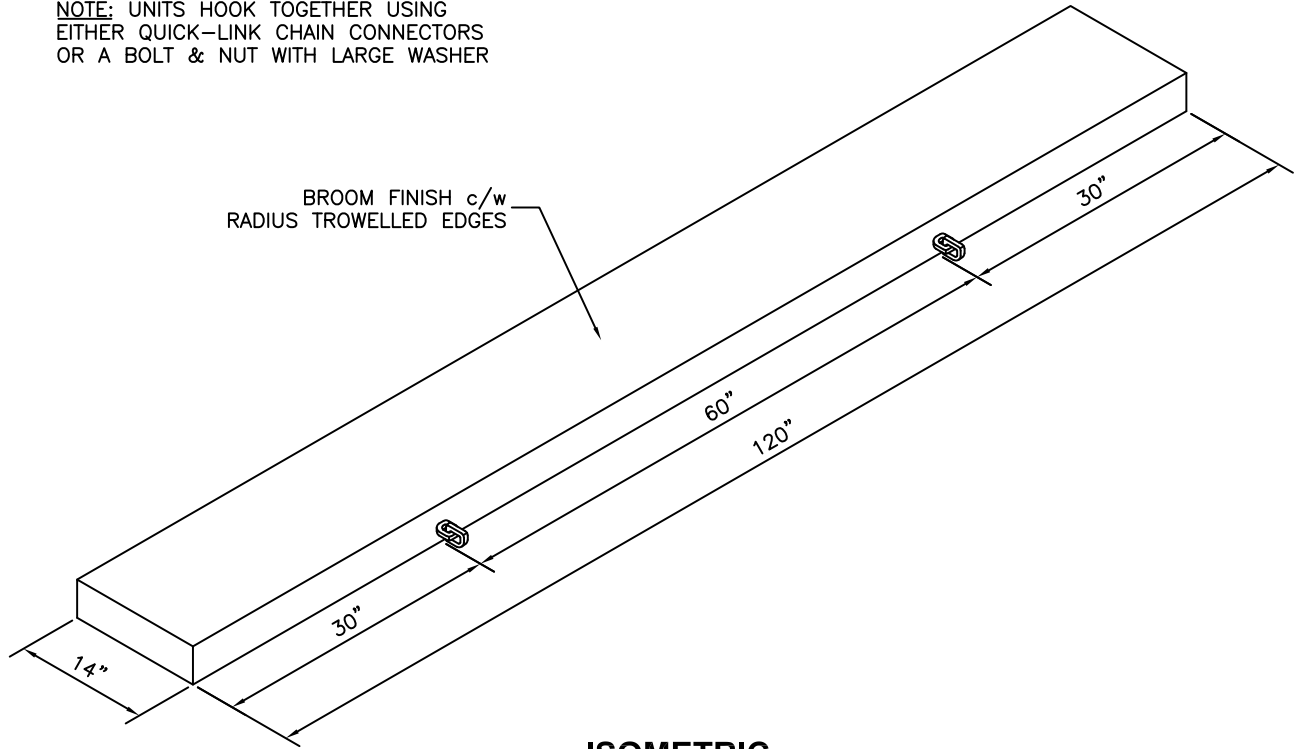
3440 UNIVERSITY WAY  
KELOWNA B.C.  
V1V 1V9  
PH: (250)765-1423  
FX: (250)765-0820

BY: PKR  
DATE: MAR 10 05  
SCALE: NTS

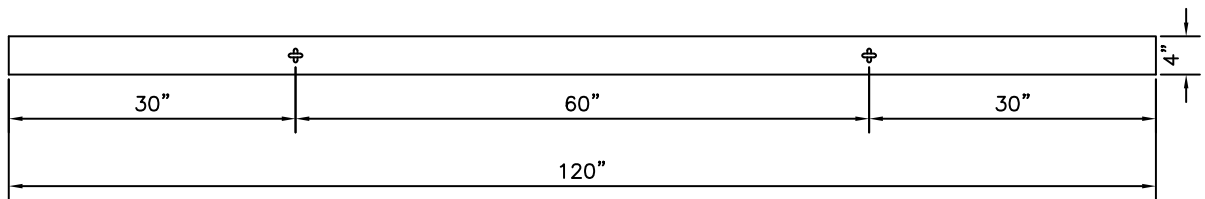
**GROUP SIX  
BICYCLE  
STAND**

ITEM NO.  
**1417**

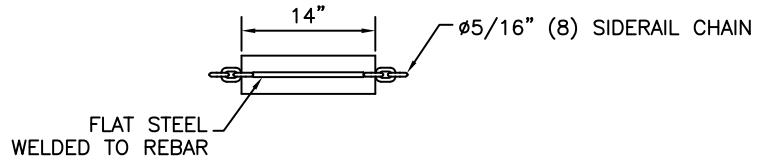
**NOTE:** UNITS HOOK TOGETHER USING  
EITHER QUICK-LINK CHAIN CONNECTORS  
OR A BOLT & NUT WITH LARGE WASHER



**ISOMETRIC**



**SECTION**



**SECTION**

**NOTES:**

1) 27.6 MPa @ 28 DAYS

REVISED: MAR 10 2005



**KON KAST**

products (2005) Ltd.  
"Committed To Quality And Service"

3440 UNIVERSITY WAY  
KELOWNA B.C.  
V1V 1V9  
PH: (250)765-1423  
FX: (250)765-0820

BY: PKR

DATE: MAR 10 05

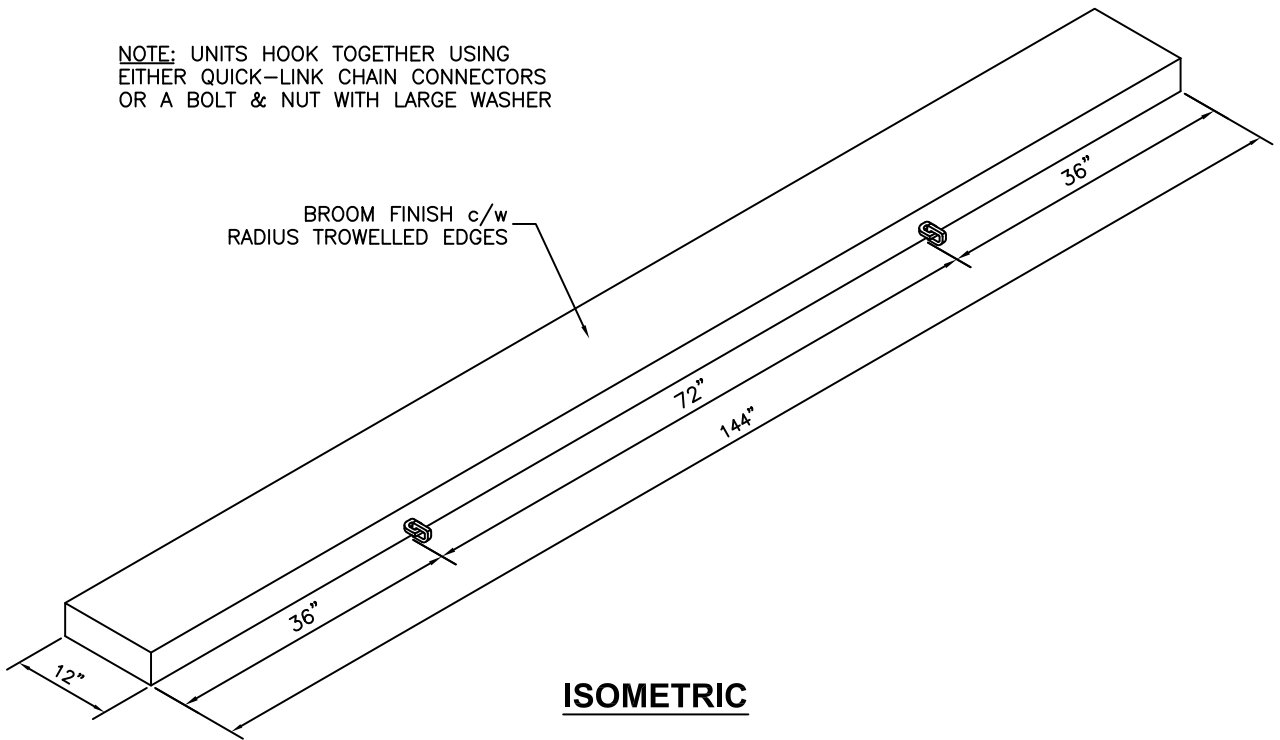
SCALE: NTS

**BOAT LAUNCHING PAD**

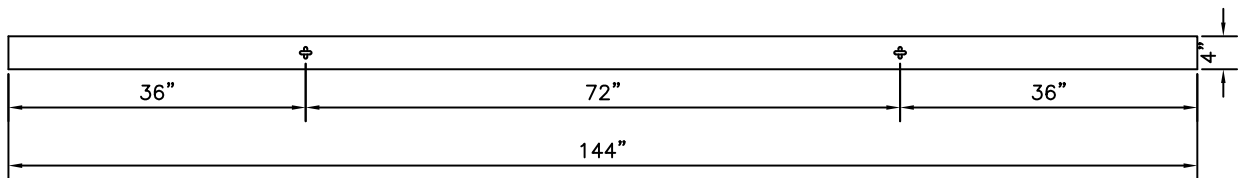
ITEM NO.

**1418**

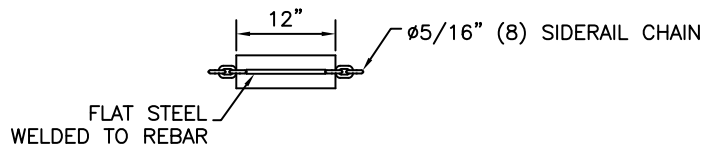
**NOTE:** UNITS HOOK TOGETHER USING  
EITHER QUICK-LINK CHAIN CONNECTORS  
OR A BOLT & NUT WITH LARGE WASHER



**ISOMETRIC**



**SECTION**




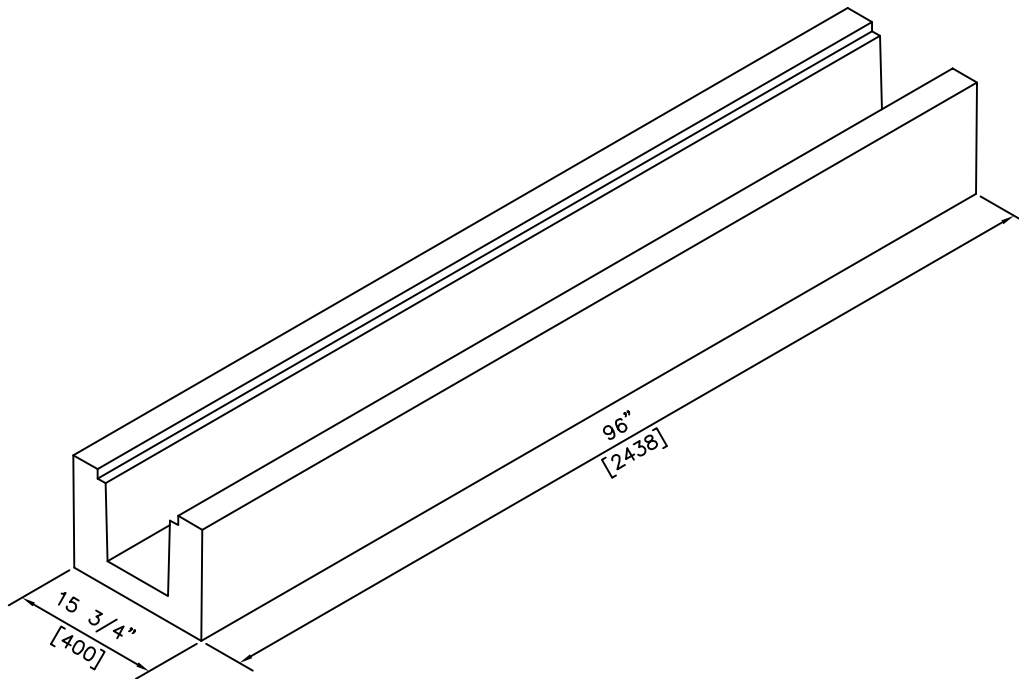
**SECTION**

**NOTES:**

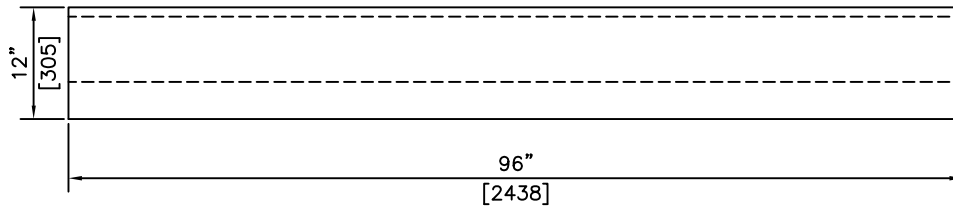
1) 27.6 MPa @ 28 DAYS

REVISED: MAR 10 2005

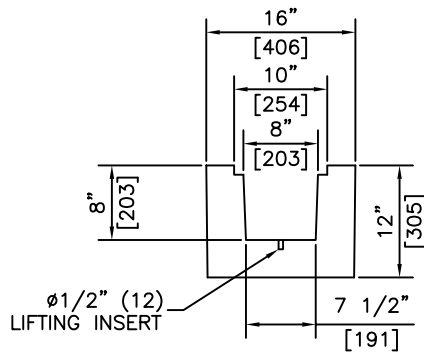
 <p><b>KON KAST</b> products (2005) Ltd. "Committed To Quality And Service"</p>	<p>3440 UNIVERSITY WAY KELOWNA B.C. V1V 1V9 PH: (250)765-1423 FX: (250)765-0820</p>	BY: PKR	<p><b>LARGE BOAT LAUNCHING PAD</b></p>	ITEM NO.
		DATE: MAR 10 05		<p><b>1419</b></p>
		SCALE: NTS		



**ISOMETRIC**



**SECTION**




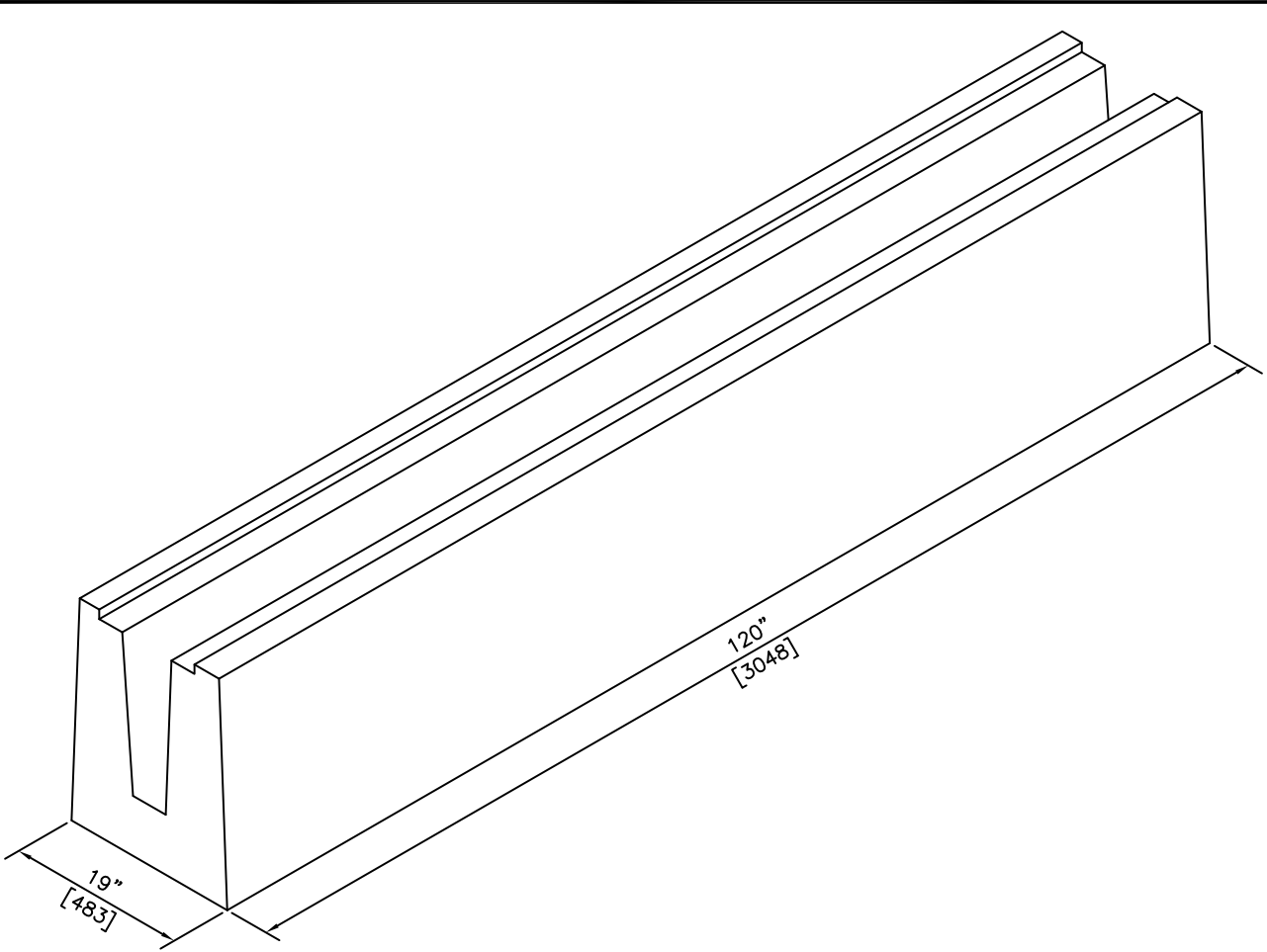
**SECTION**

**NOTES:**

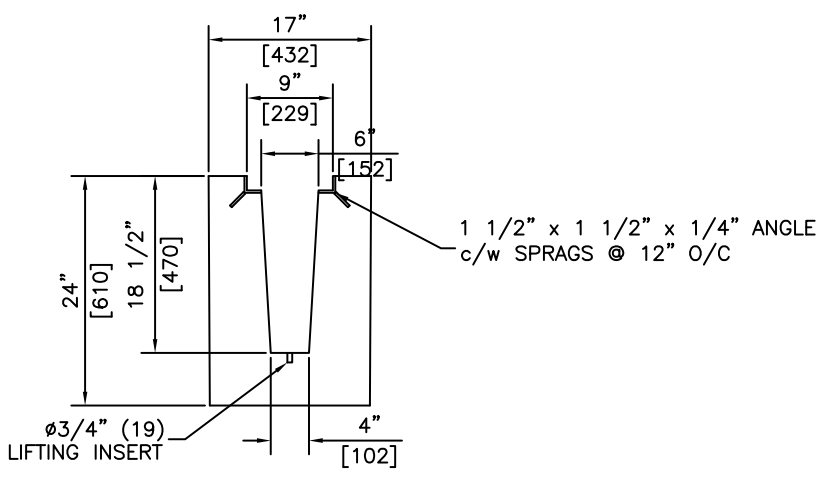
- 1) 27.6 MPa @ 28 DAYS
- 2) DESIGNED FOR LIGHT TRAFFIC ONLY, CONTACT US FOR OTHER APPLICATIONS

REVISED: MAR 5 2010

 <p><b>KON KAST</b> products (2005) Ltd. "Committed To Quality And Service"</p>	<p>3440 UNIVERSITY WAY KELOWNA B.C. V1V 1V9 PH: (250)765-1423 FX: (250)765-0820</p>	BY: PKR	<p><b>DRAINAGE TROUGH</b></p>	ITEM NO.
		DATE: MAR 10 05		<p><b>1430</b></p>
		SCALE: NTS		




**ISOMETRIC**



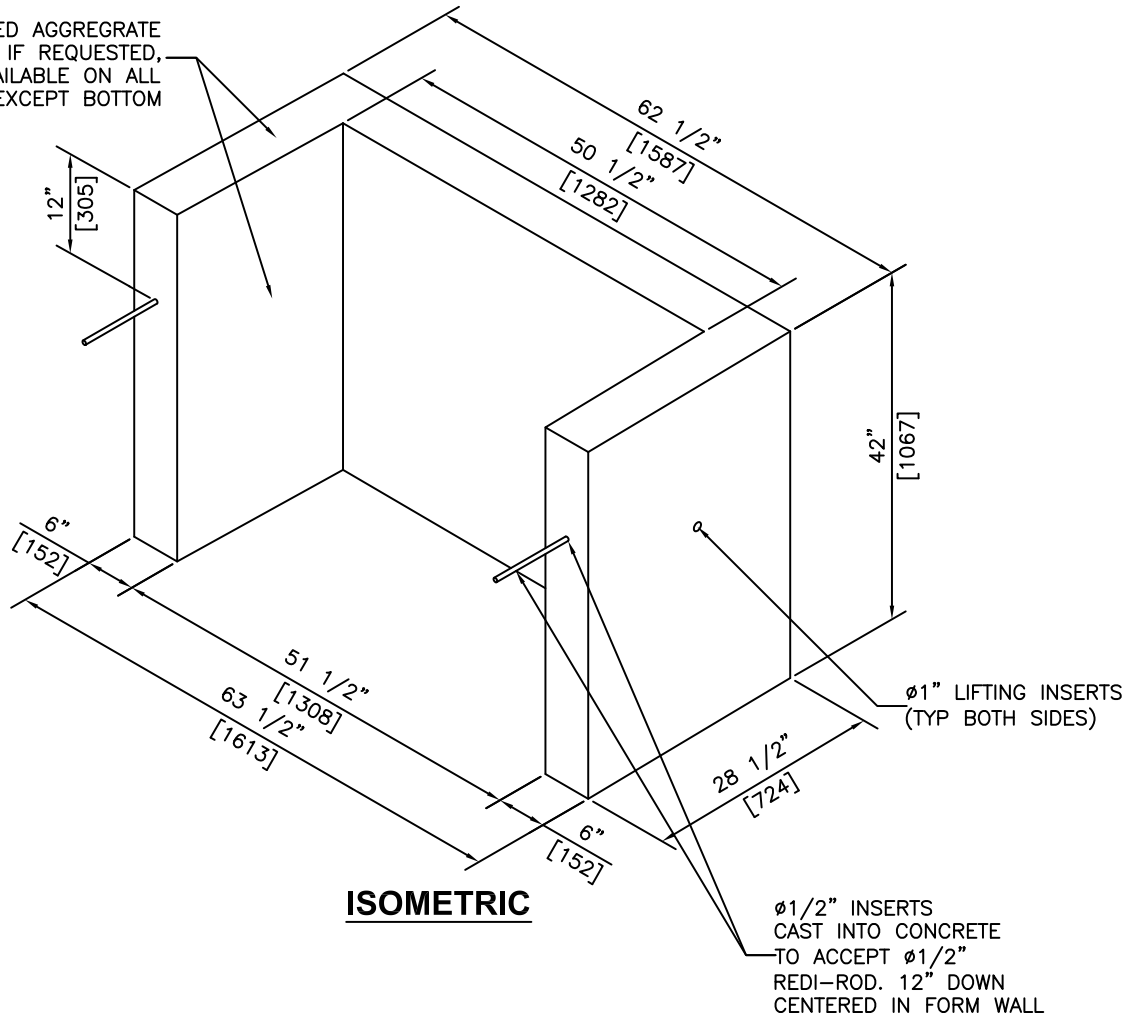
**SECTION**

- NOTES:**  
 1) 27.6 MPa @ 28 DAYS  
 2) NOTE THAT UNITS DO NOT HAVE INTERLOCKING TONGUE & GROOVE

REVISED: MAR 10 2005

 <b>KON KAST</b> products (2005) Ltd. "Committed To Quality And Service"	3440 UNIVERSITY WAY KELOWNA B.C. V1V 1V9 PH: (250)765-1423 FX: (250)765-0820	BY: PKR DATE: MAR 10 05 SCALE: NTS	<b>DRAINAGE TROUGH</b>	ITEM NO. <b>1431</b>

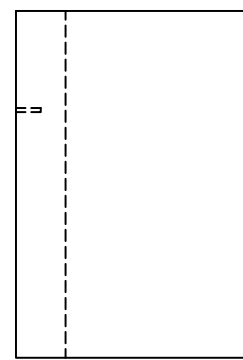
EXPOSED AGGREGATE FINISH, IF REQUESTED, IS AVAILABLE ON ALL SIDES, EXCEPT BOTTOM



**ISOMETRIC**



**REAR ELEVATION**




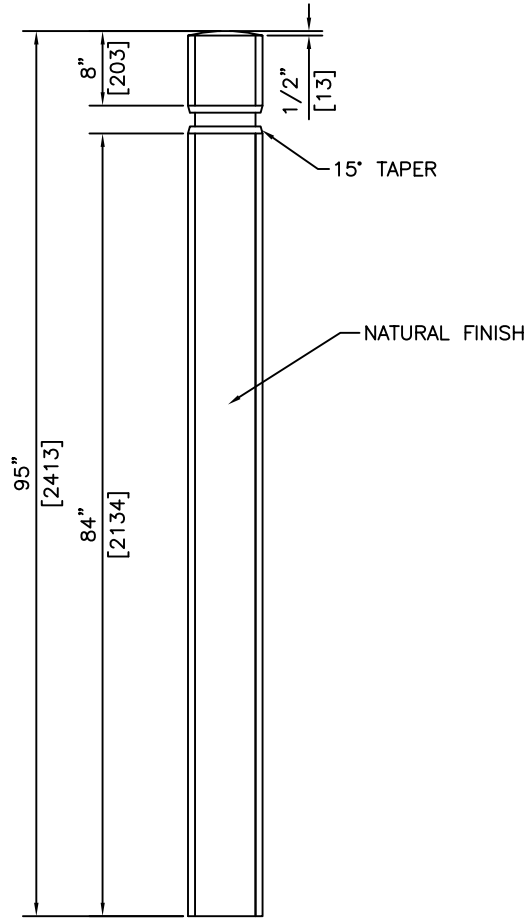
**SIDE ELEVATION**

**NOTES:**

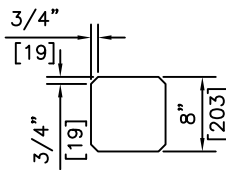
- 1) 27.6MPa @ 28 DAYS
- 2) AVAILABLE IN EXPOSED AS WELL ITEM # 1460E

REVISED: MAR 10 2005

 <p><b>KON KAST</b> products (2005) Ltd. "Committed To Quality And Service"</p>	<p>3440 UNIVERSITY WAY KELOWNA B.C. V1V 1V9 PH: (250)765-1423 FX: (250)765-0820</p>	BY: PKR	<p><b>PRECAST PLAIN WINDOW WELL</b></p>	ITEM NO.
		DATE: MAR 10 05		<p><b>1460</b></p>
		SCALE: NTS		



**ISOMETRIC**




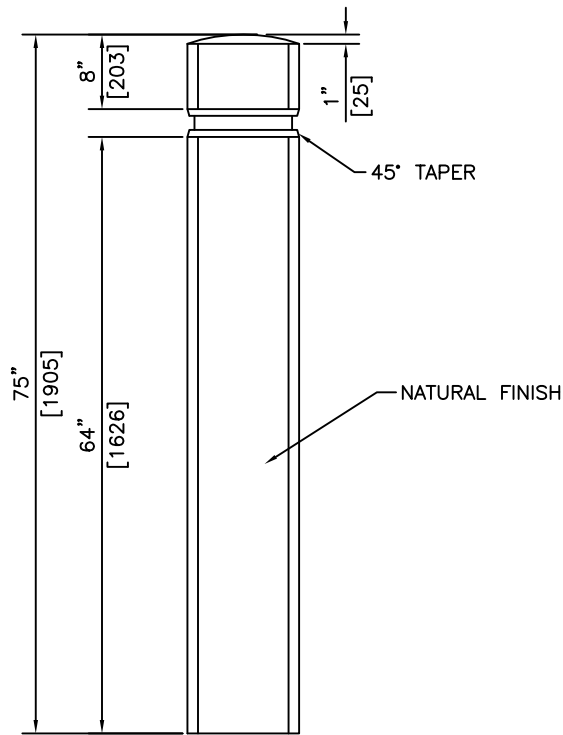
**SECTION**

**NOTES:**

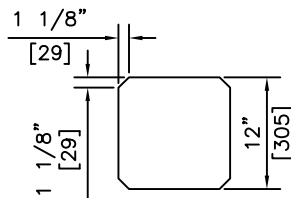
1) 27.6 MPa @ 28 DAYS

REVISED: JAN 14 2008

 <p><b>KON KAST</b> products (2005) Ltd. "Committed To Quality And Service"</p>	<p>3440 UNIVERSITY WAY KELOWNA B.C. V1V 1V9 PH: (250)765-1423 FX: (250)765-0820</p>	BY: PKR	<p><b>8" SQUARE FENCE POST</b></p>	ITEM NO.
		DATE: MAR 10 05		<p><b>1468</b></p>
		SCALE: NTS		



**ISOMETRIC**




**SECTION**

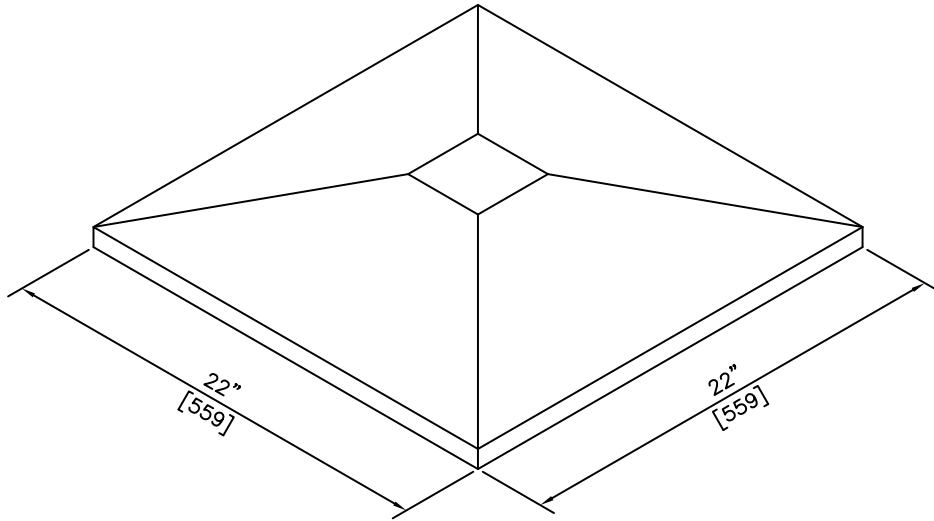
**NOTES:**

1) 27.6 MPa @ 28 DAYS

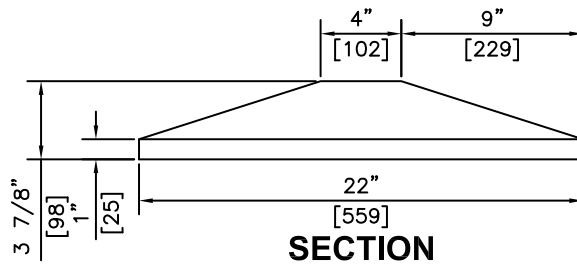
REVISED: JAN 14 2008

 <p><b>KON KAST</b>          products (2005) Ltd.          "Committed To Quality And Service"</p>	3440 UNIVERSITY WAY KELOWNA B.C. V1V 1V9 PH: (250)765-1423 FX: (250)765-0820	BY: PKR	<b>12"</b> <b>SQUARE FENCE</b> <b>POST</b>	ITEM NO.
		DATE: MAR 10 05		<b>1469</b>
		SCALE: NTS		





**ISOMETRIC**



**SECTION**

**NOTES:**

1) 27.6 MPa @ 28 DAYS

REVISED: MAR 10 2005



**KON KAST**

products (2005) Ltd.  
"Committed To Quality And Service"

3440 UNIVERSITY WAY  
KELOWNA B.C.  
V1V 1V9  
PH: (250)765-1423  
FX: (250)765-0820

BY: PKR

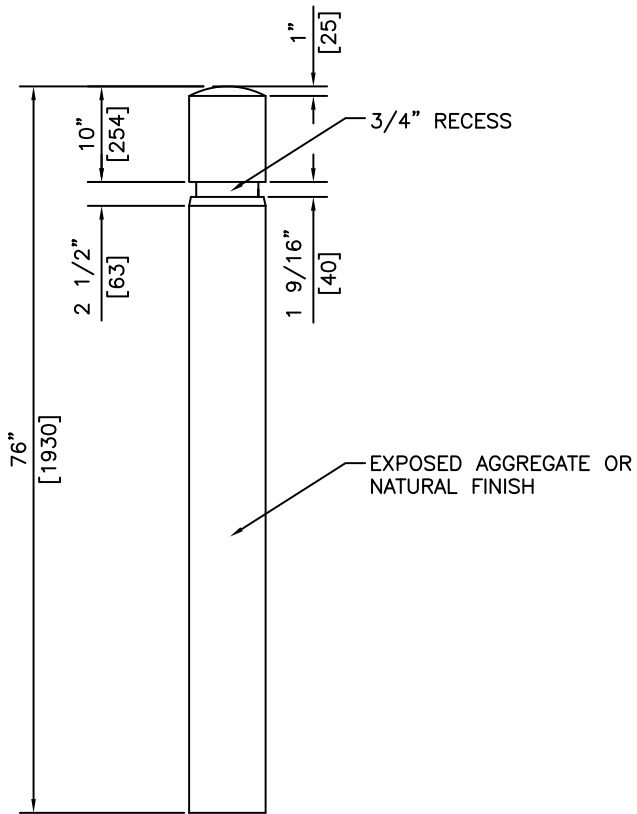
DATE: MAR 10 05

SCALE: NTS

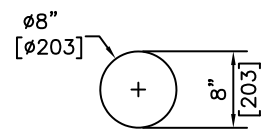
**POST CAP**

ITEM NO.

**1470**




**ELEVATION**

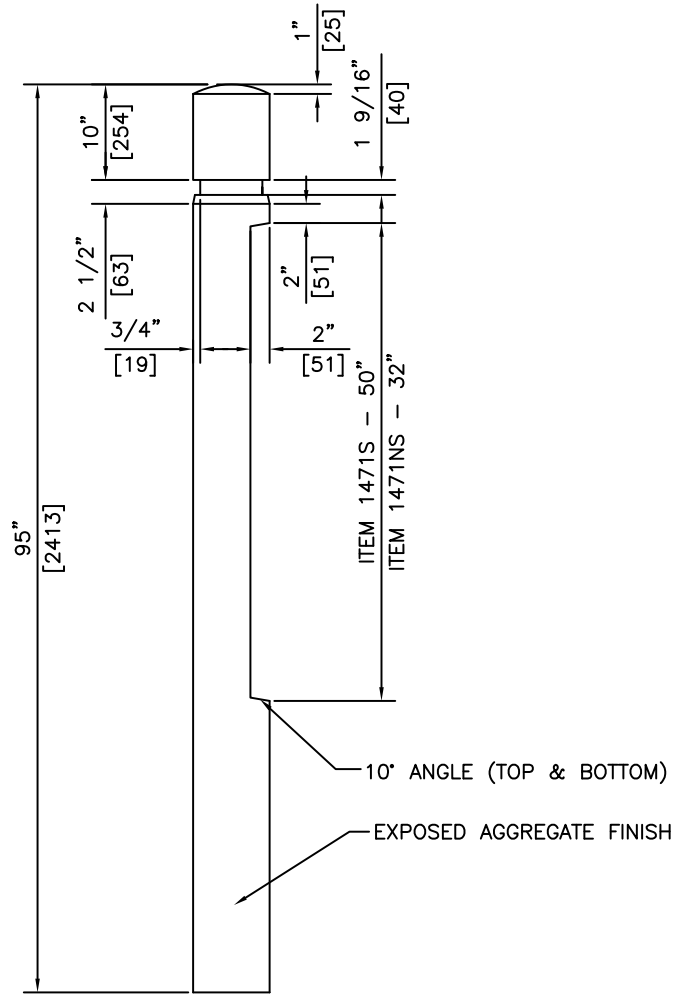


**SECTION**

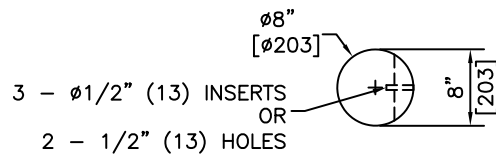
**NOTES:**  
 1) 27.6 MPa @ 28 DAYS

REVISED: MAR 10 2005

 <b>KON KAST</b> products (2005) Ltd. "Committed To Quality And Service"	3440 UNIVERSITY WAY KELOWNA B.C. V1V 1V9 PH: (250)765-1423 FX: (250)765-0820	BY: PKR DATE: MAR 10 05 SCALE: NTS	<b>8"</b> <b>ROUND FENCE</b> <b>POST</b>	ITEM NO. <b>1471</b>



**ELEVATION**



**SECTION**

**NOTES:**

- 1) 27.6 MPa @ 28 DAYS
- 2) ITEM 1471S - 3 -  $\phi$ 1/2" (13) INSERTS
- 3) ITEM 1471NS - 2 -  $\phi$ 1/2" (13) HOLES

REVISED: MAR 10 2005

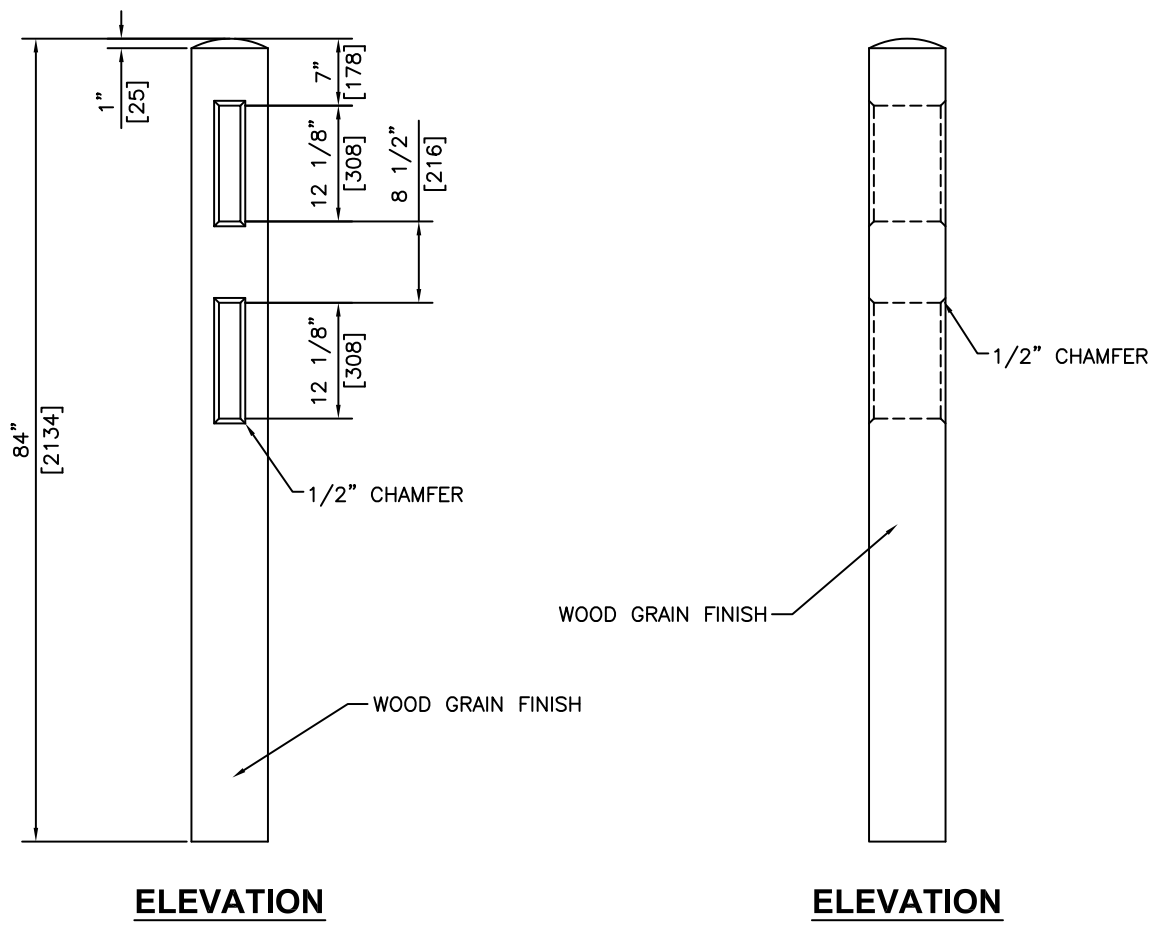
  
**KON KAST**  
 products (2005) Ltd.  
 "Committed To Quality And Service"

3440 UNIVERSITY WAY  
 KELOWNA B.C.  
 V1V 1V9  
 PH: (250)765-1423  
 FX: (250)765-0820

BY: PKR  
 DATE: MAR 10 05  
 SCALE: NTS

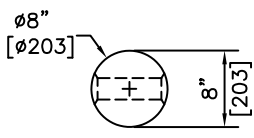
**8"**  
**3/4 ROUND**  
**SIGN POST**

ITEM NO.  
**1471S**  
**1471NS**



**ELEVATION**


**ELEVATION**

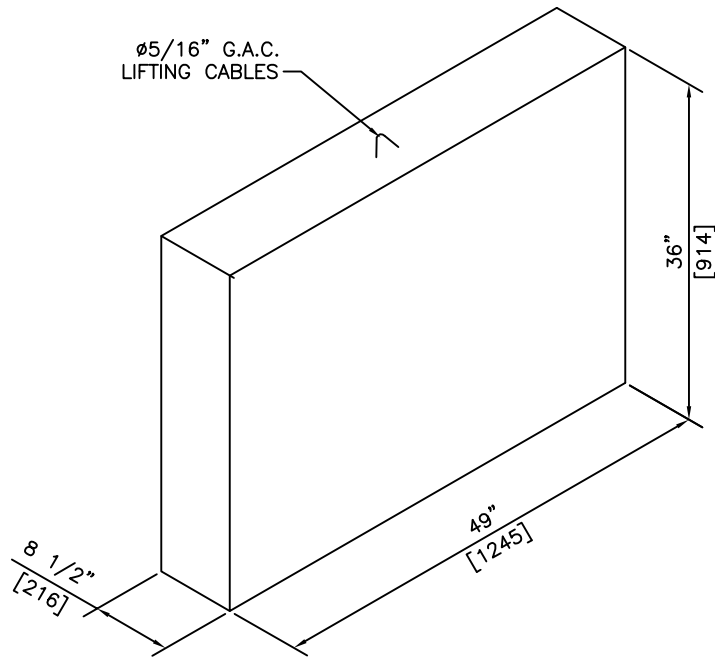


**SECTION**

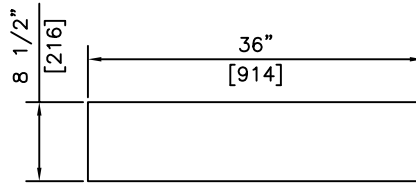
**NOTES:**  
 1) 27.6 MPa @ 28 DAYS

REVISED: MAR 11 2005

 <b>KON KAST</b> products (2005) Ltd. "Committed To Quality And Service"	3440 UNIVERSITY WAY KELOWNA B.C. V1V 1V9 PH: (250)765-1423 FX: (250)765-0820	BY: PKR DATE: MAR 11 05 SCALE: NTS	<b>8" ROUND          FENCE POST          WOOD GRAIN</b>	ITEM NO. <b>1472</b>



**ISOMETRIC**




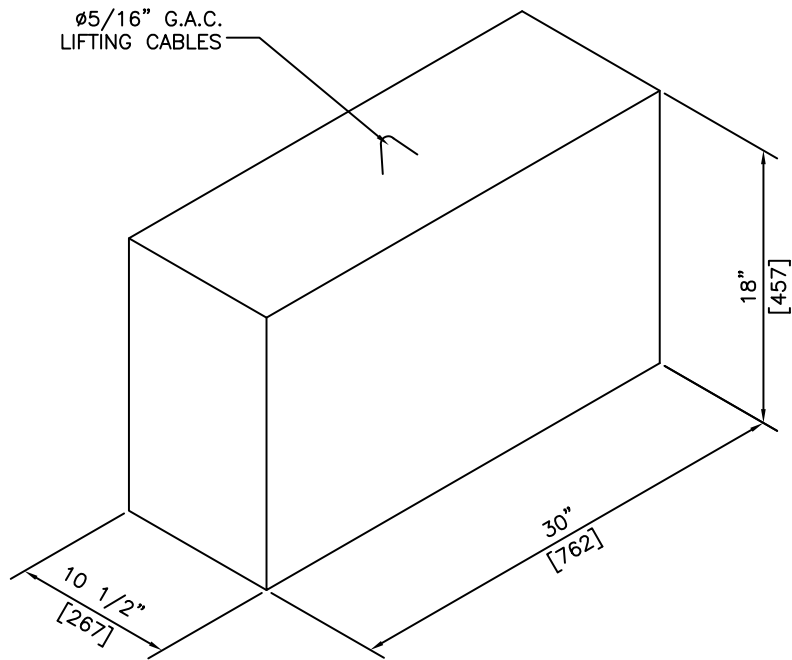
**SECTION**

**NOTES:**

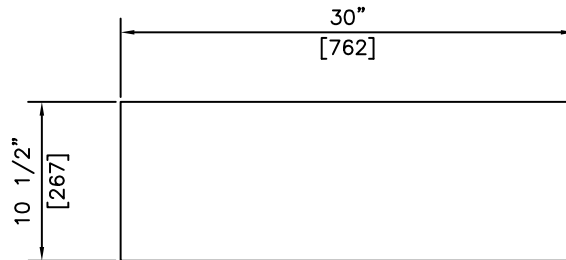
1) 27.6 MPa @ 28 DAYS

REVISED: MAR 2 2010

 <p><b>KON KAST</b> products (2005) Ltd. "Committed To Quality And Service"</p>	<p>3440 UNIVERSITY WAY KELOWNA B.C. V1V 1V9 PH: (250)765-1423 FX: (250)765-0820</p>	<p>BY: PKR DATE: MAR 11 05 SCALE: NTS</p>	<p><b>49" x 36" (1245x914)</b> <b>SOLID</b> <b>THRUST BLOCK</b></p>	<p>ITEM NO. <b>1473</b></p>



**ISOMETRIC**




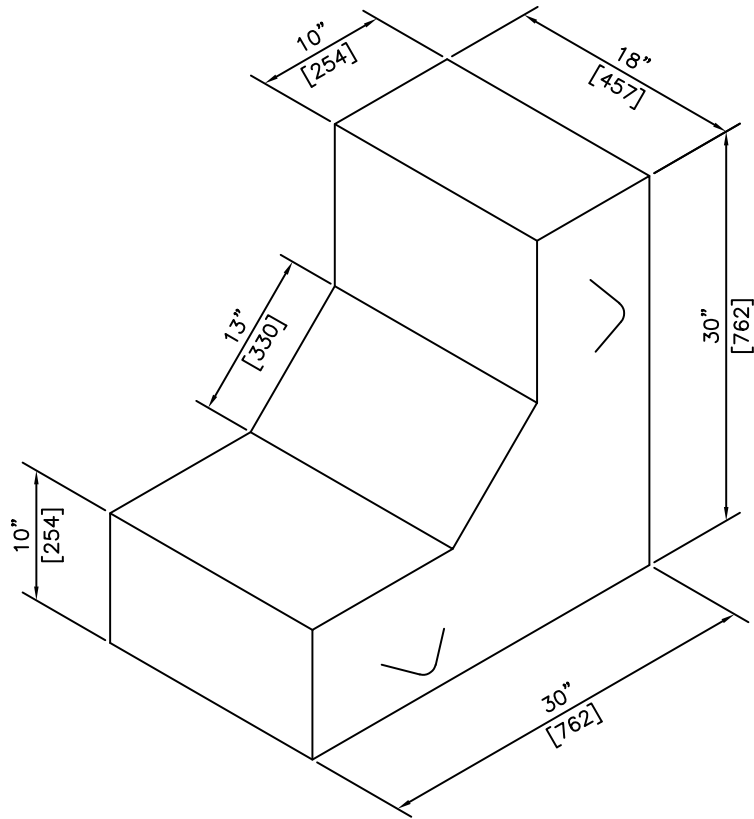
**SECTION**

**NOTES:**

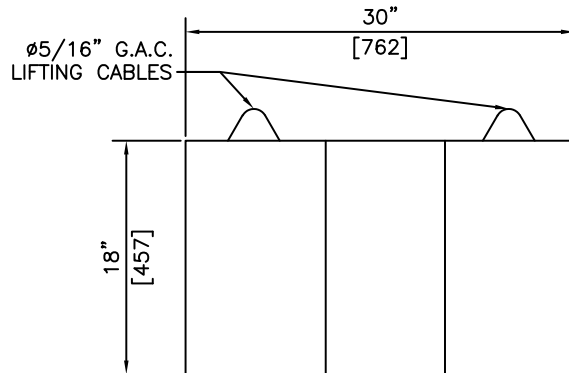
1) 27.6 MPa @ 28 DAYS

REVISED: MAR 11 2005

 <p><b>KON KAST</b> products (2005) Ltd. "Committed To Quality And Service"</p>	<p>3440 UNIVERSITY WAY KELOWNA B.C. V1V 1V9 PH: (250)765-1423 FX: (250)765-0820</p>	BY: PKR	<p><b>18" x 30" (457x762)</b> <b>SOLID</b> <b>THRUST BLOCK</b></p>	ITEM NO.
		DATE: MAR 11 05		<p><b>1474</b></p>
		SCALE: NTS		



**ISOMETRIC**




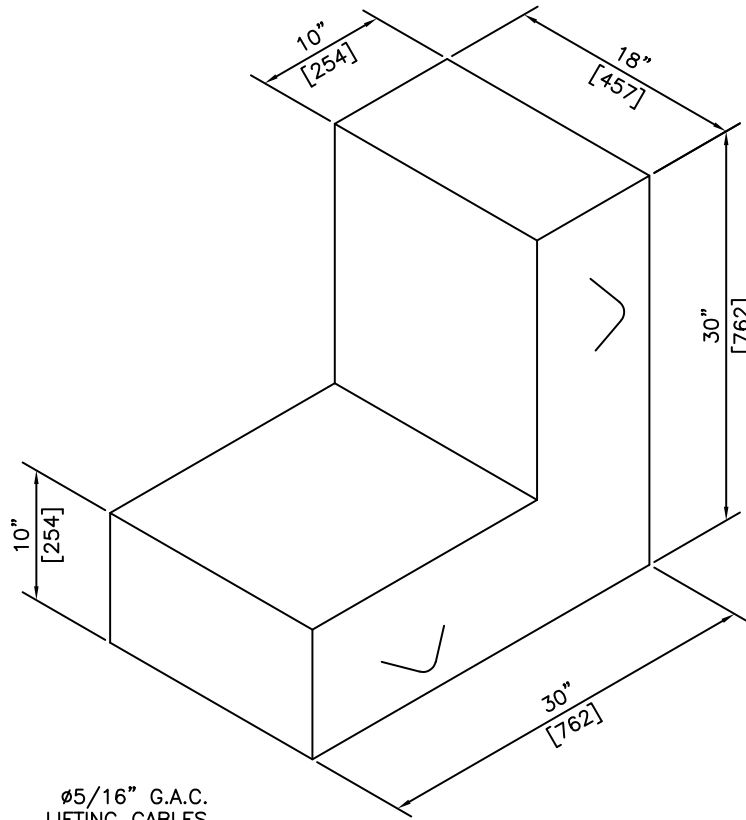
**SECTION**

**NOTES:**

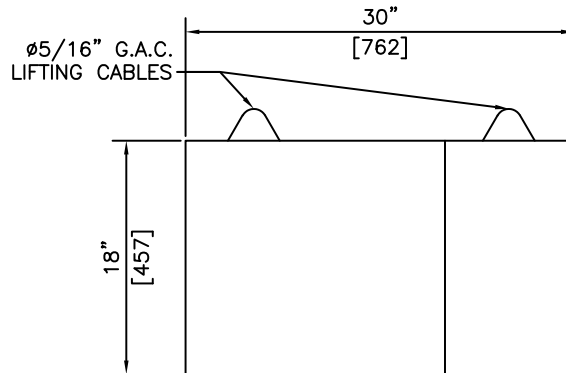
1) 27.6MPa @ 28 DAYS

REVISED: MAR 11 2005

 <p><b>KON KAST</b> products (2005) Ltd. "Committed To Quality And Service"</p>	<p>3440 UNIVERSITY WAY KELOWNA B.C. V1V 1V9 PH: (250)765-1423 FX: (250)765-0820</p>	<p>BY: PKR</p>	<p><b>45° THRUST BLOCK</b></p>	<p>ITEM NO.</p>
		<p>DATE: MAR 11 05</p>		<p><b>1476</b></p>
		<p>SCALE: NTS</p>		



**ISOMETRIC**




**SECTION**

**NOTES:**

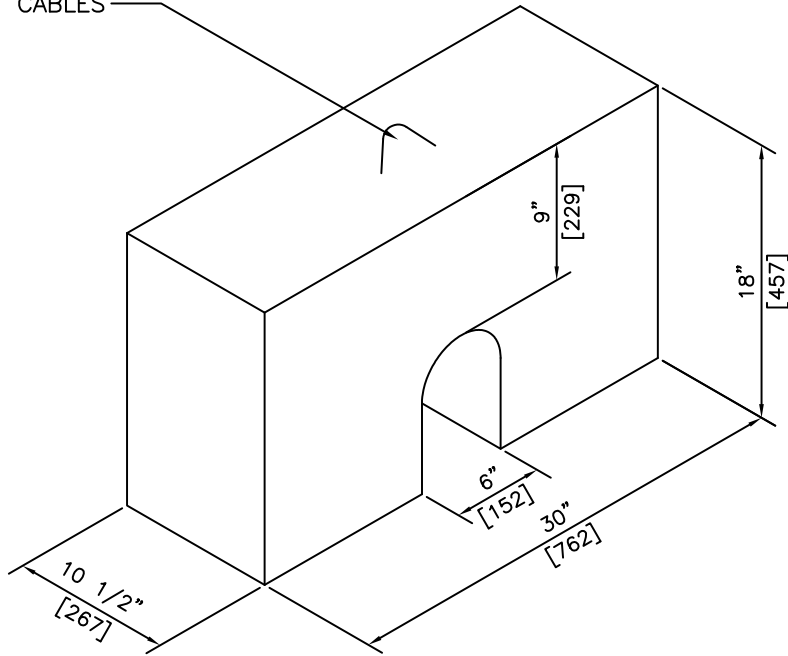
1) 27.6MPa @ 28 DAYS

REVISED: MAR 11 2005

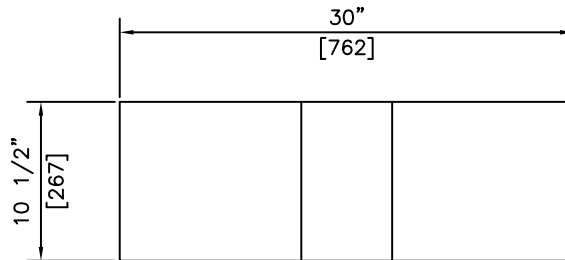
 <b>KON KAST</b> products (2005) Ltd. "Committed To Quality And Service"	3440 UNIVERSITY WAY KELOWNA B.C. V1V 1V9 PH: (250)765-1423 FX: (250)765-0820	BY: PKR DATE: SCALE: NTS	<b>90° THRUST BLOCK</b>	ITEM NO. <b>1477</b>



ø5/16" G.A.C.  
LIFTING CABLES



**ISOMETRIC**



**SECTION**

**NOTES:**

1) 27.6 MPa @ 28 DAYS

REVISED: MAR 11 2005



"Committed To Quality And Service"

**KON KAST**

products (2005) Ltd.

3440 UNIVERSITY WAY  
KELOWNA B.C.  
V1V 1V9

PH: (250)765-1423

FX: (250)765-0820

BY: PKR

DATE: MAR 11 05

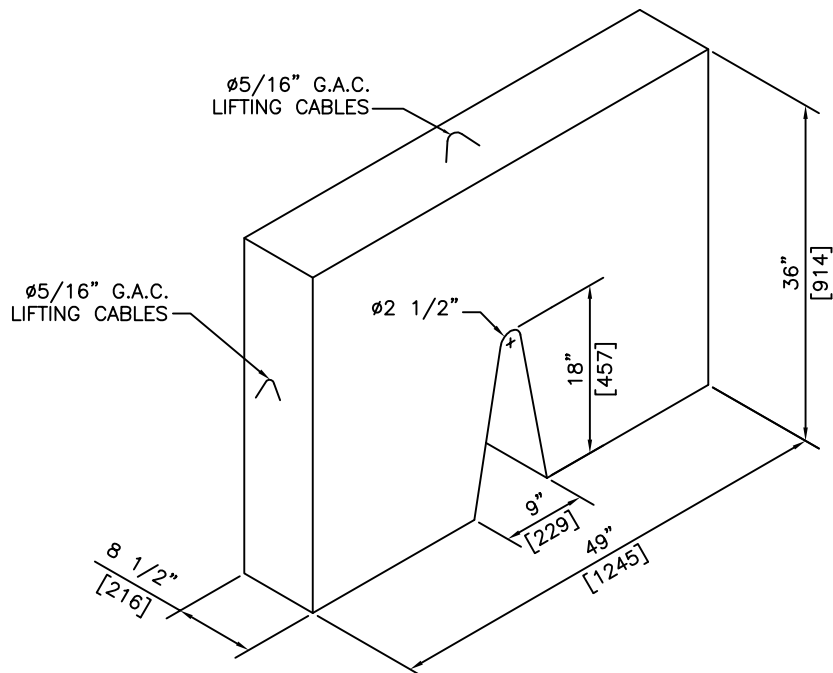
SCALE: NTS

**18" x 30" (457x762)**

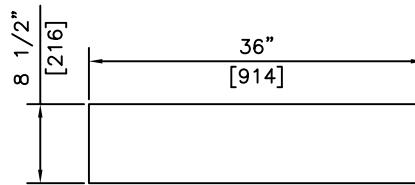
**U - VOID  
THRUST BLOCK**

ITEM NO.

**1478**



**ISOMETRIC**




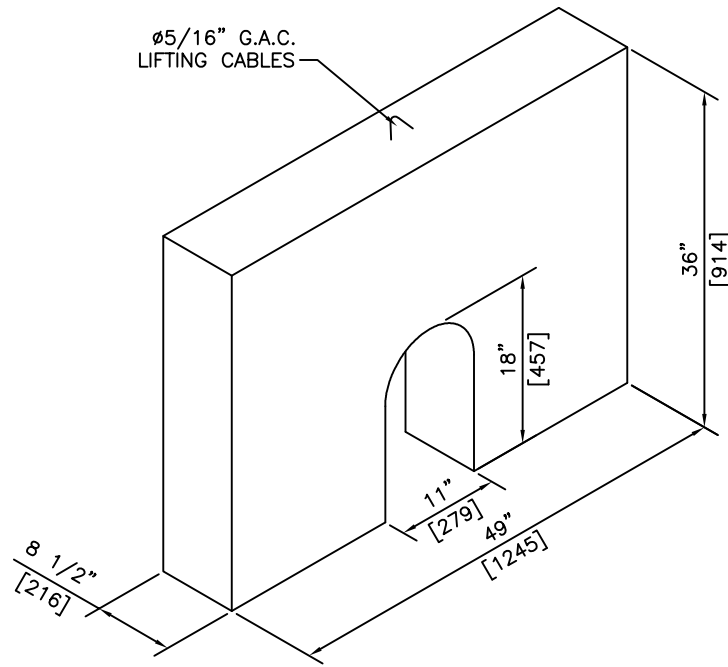
**SECTION**

**NOTES:**

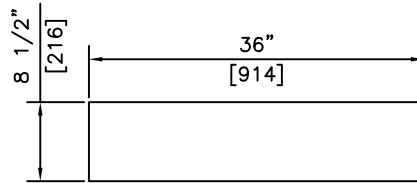
1) 27.6 MPa @ 28 DAYS

REVISED: MAR 2 2010

 <p><b>KON KAST</b> products (2005) Ltd. "Committed To Quality And Service"</p>	<p>3440 UNIVERSITY WAY KELOWNA B.C. V1V 1V9 PH: (250)765-1423 FX: (250)765-0820</p>	<p>BY: PKR DATE: MAR 11 05 SCALE: NTS</p>	<p><b>49" x 36" (1245x914)</b> <b>V - VOID</b> <b>THRUST BLOCK</b></p>	<p>ITEM NO. <b>1479</b></p>



**ISOMETRIC**




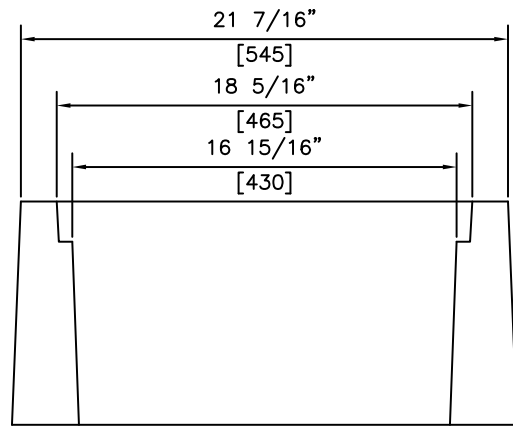
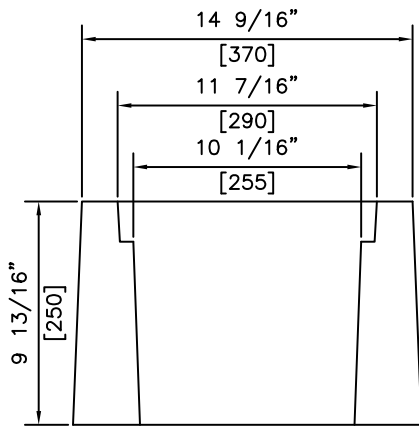
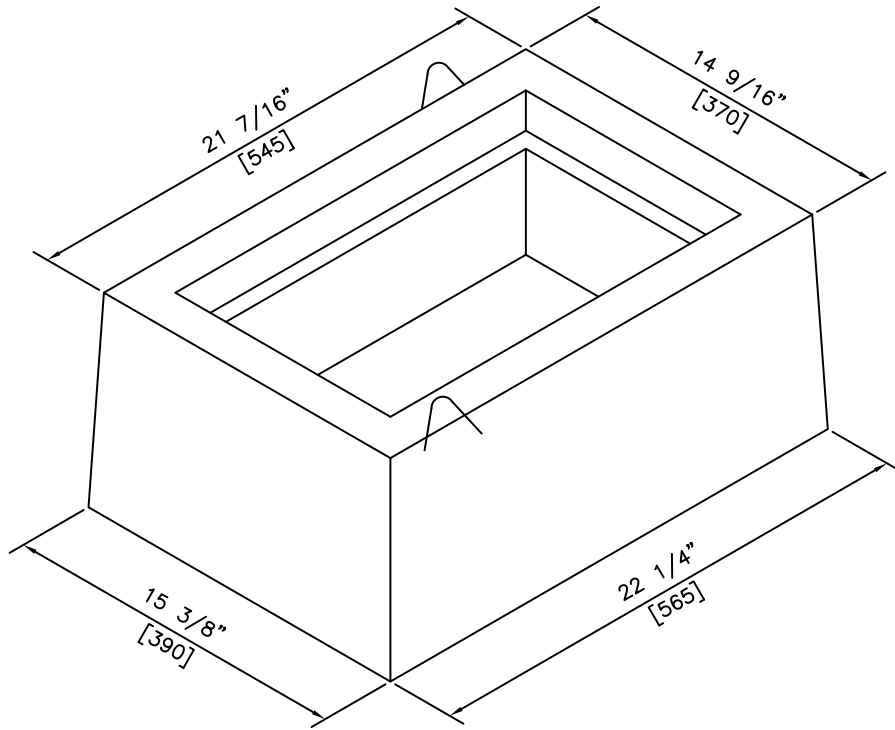
**SECTION**

**NOTES:**

1) 27.6 MPa @ 28 DAYS

REVISED: MAR 2 2010


 <p><b>KON KAST</b> products (2005) Ltd. "Committed To Quality And Service"</p>	<p>3440 UNIVERSITY WAY KELOWNA B.C. V1V 1V9 PH: (250)765-1423 FX: (250)765-0820</p>	<p>BY: PKR DATE: MAR 11 05 SCALE: NTS</p>	<p><b>49" x 36" (1245x914)</b> <b>U - VOID</b> <b>THRUST BLOCK</b></p>	<p>ITEM NO. <b>1479U</b></p>

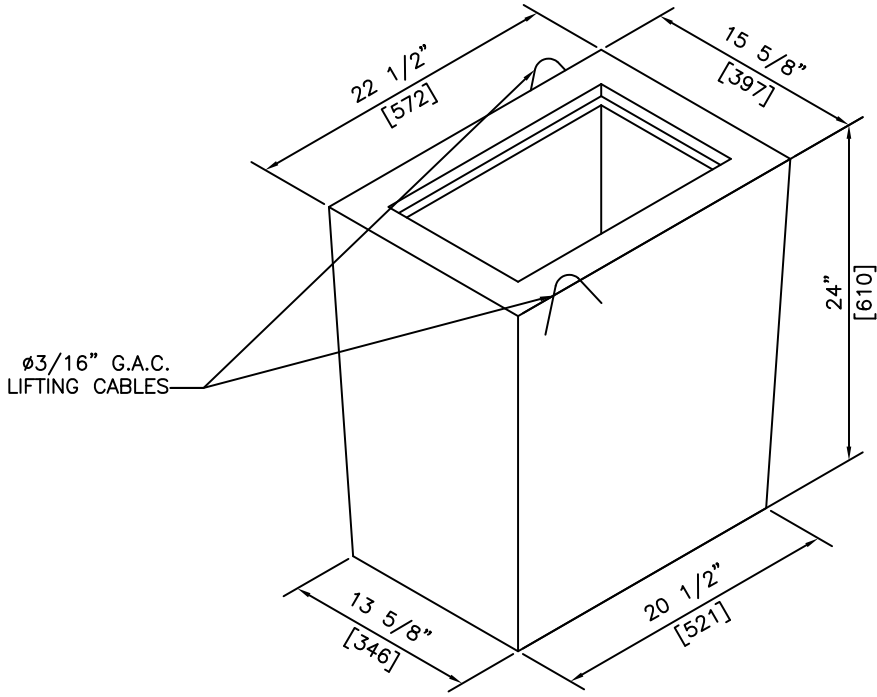


### SECTIONS

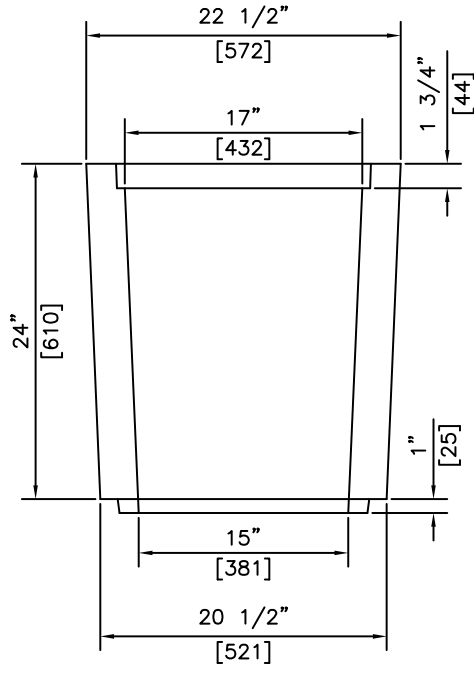
**NOTES:**

REVISED: APR 22 2005

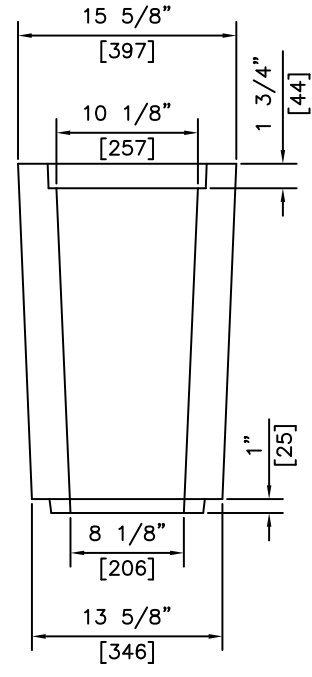
 <p><b>KON KAST</b> products (2005) Ltd. "Committed To Quality And Service"</p>	<p>3440 UNIVERSITY WAY KELOWNA B.C. V1V 1V9 PH: (250)765-1423 FX: (250)765-0820</p>	BY: PKR	<p><b>BROOKS STYLE BOX</b></p>	ITEM NO.
		DATE: APR 22 05		<p><b>1480</b></p>
		SCALE: NTS		



**ISOMETRIC**




**SECTION**

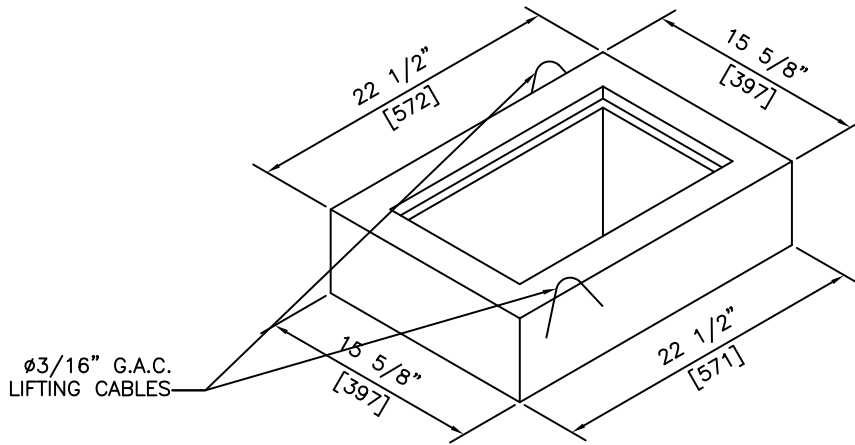


**SECTION**

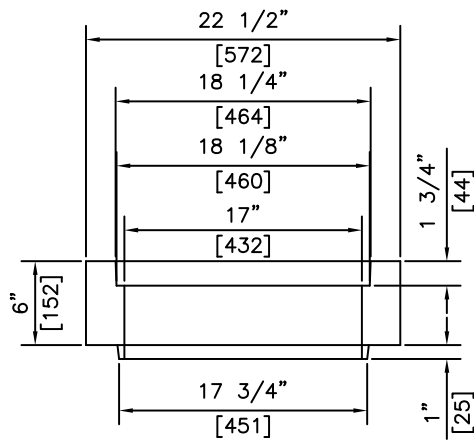
**NOTES:**  
1) 27.6 MPa @ 28 DAYS

REVISED: MAY 3 2006

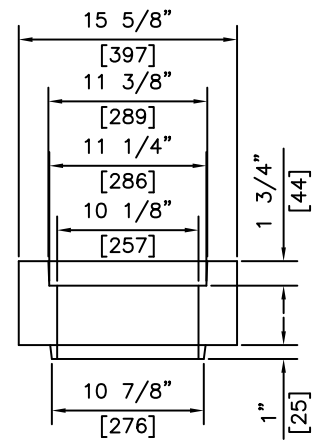
 <p><b>KON KAST</b> products (2005) Ltd. "Committed To Quality And Service"</p>	<p>3440 UNIVERSITY WAY KELOWNA B.C. V1V 1V9 PH: (250)765-1423 FX: (250)765-0820</p>	BY: PKR	<p><b>24"</b> <b>BROOKS BOX</b> <b>RISER</b></p>	ITEM NO.
		DATE: MAR 11 05		<p><b>1482</b></p>
		SCALE: NTS		



**ISOMETRIC**



**SECTION**



**SECTION**

**NOTES:**

1) 27.6 MPa @ 28 DAYS

REVISED: MAR 16 2005



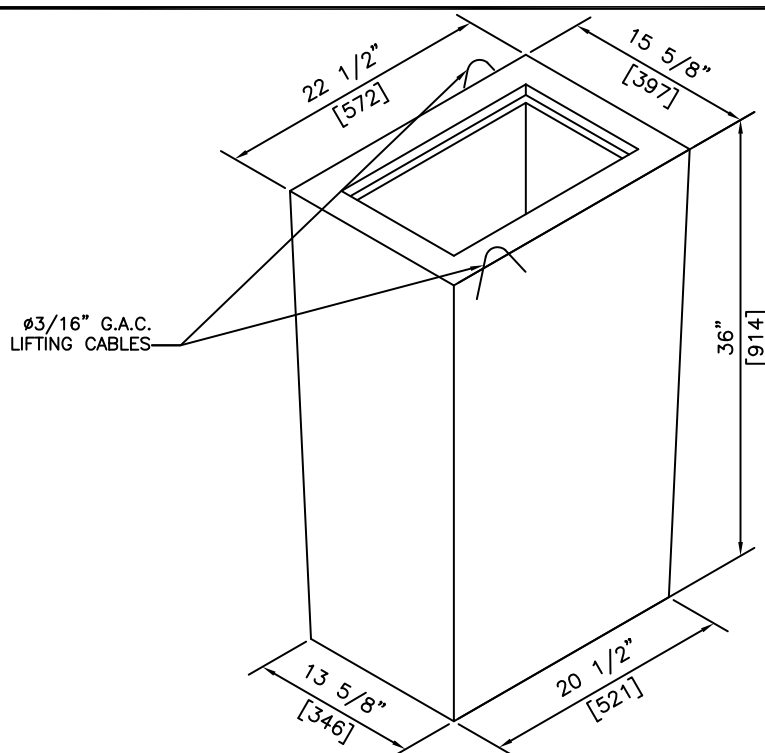
**KON KAST**  
products (2005) Ltd.  
"Committed To Quality And Service"

3440 UNIVERSITY WAY  
KELOWNA B.C.  
V1V 1V9  
PH: (250)765-1423  
FX: (250)765-0820

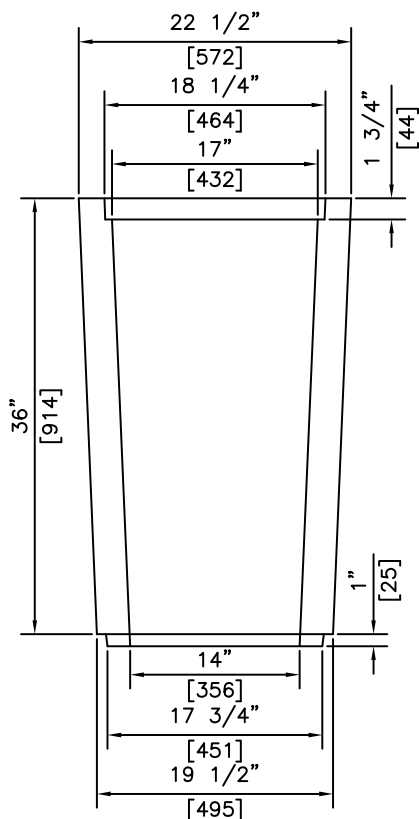
BY: PKR  
DATE: MAR 16 05  
SCALE: NTS

**6"**  
**BROOKS BOX**  
**RISER**

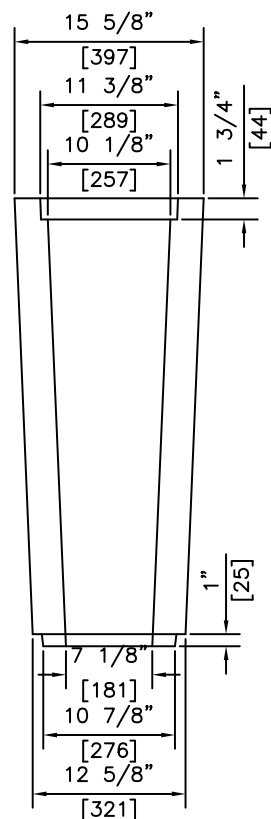
ITEM NO.  
**1483**



**ISOMETRIC**



**SECTION**



**SECTION**

**NOTES:**  
1) 27.6 MPa @ 28 DAYS

REVISED: MAR 11 2005

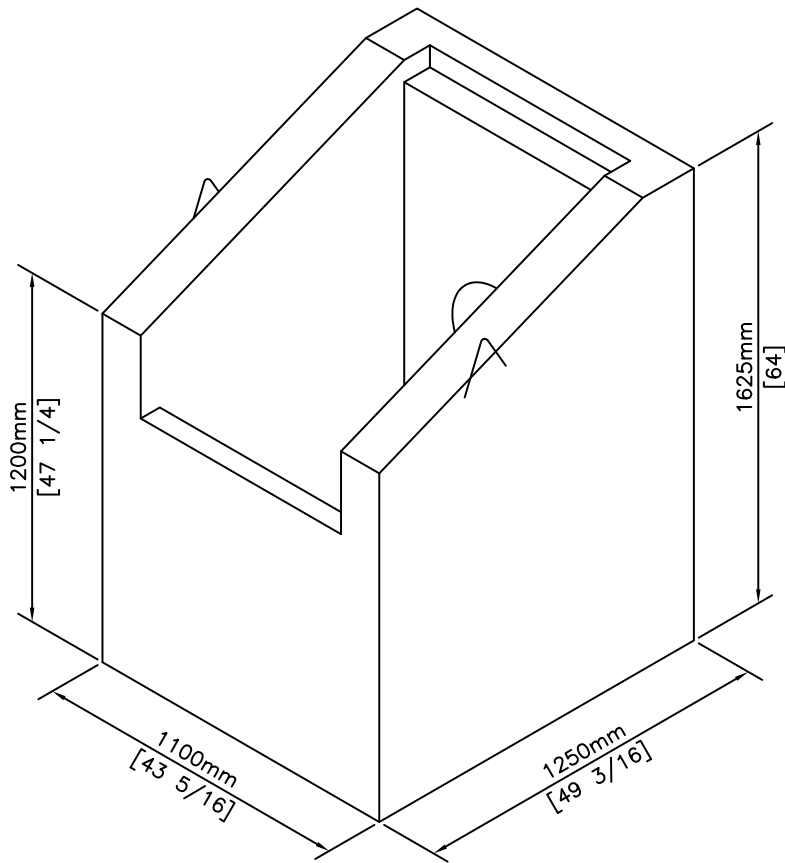
**KON KAST**  
products (2005) Ltd.  
"Committed To Quality And Service"

3440 UNIVERSITY WAY  
KELOWNA B.C.  
V1V 1V9  
PH: (250)765-1423  
FX: (250)765-0820

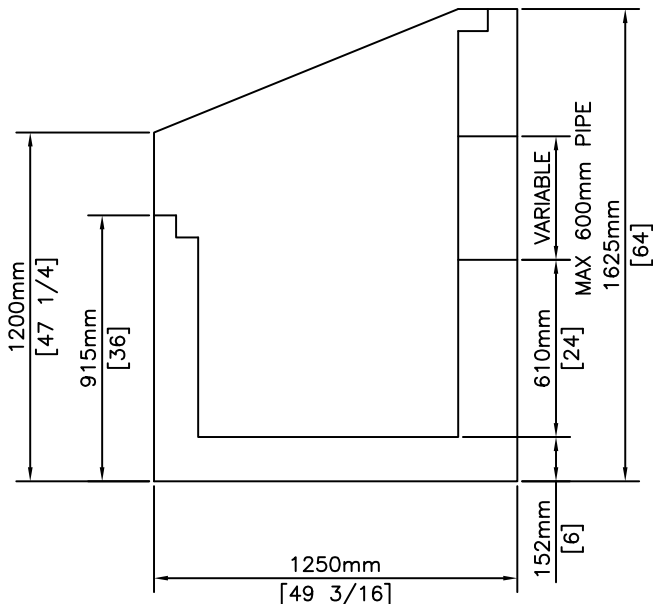
BY: PKR  
DATE: MAR 11 05  
SCALE: NTS

**36"**  
**BROOKS BOX**  
**RISER**

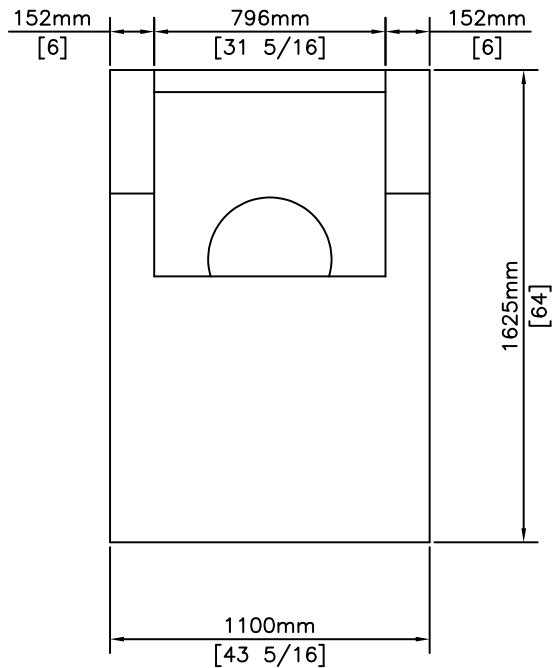
ITEM NO.  
**1484**



**ISOMETRIC**



**SECTION**



**SECTION**

**NOTES:**

- 1) 27.6MPa @ 28 DAYS
- 2) MAX Ø600mm PIPE

REVISED: MAY 3 2006



**KON KAST**

products (2005) Ltd.  
"Committed To Quality And Service"

3440 UNIVERSITY WAY  
KELOWNA B.C.  
V1V 1V9  
PH: (250)765-1423  
FX: (250)765-0820

BY: PKR

DATE: MAR 16 05

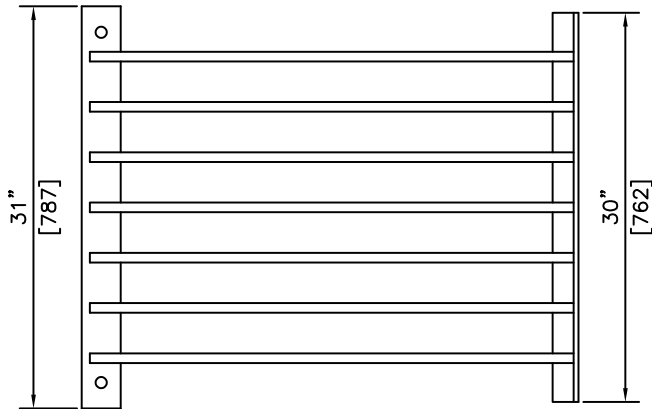
SCALE: NTS

**INLET STRUCTURE**

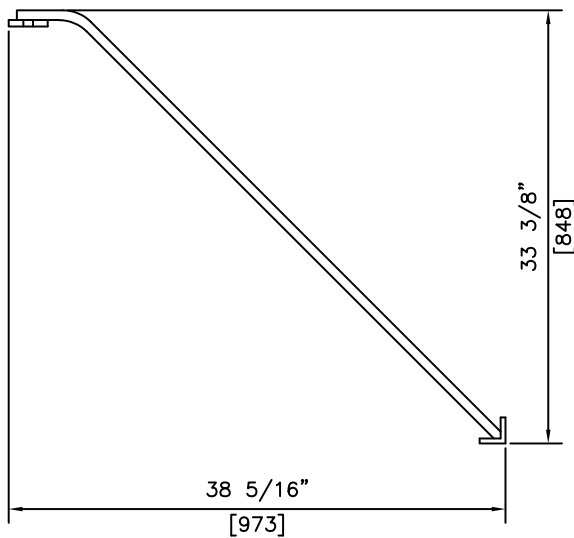
ITEM NO.

**1487**





**TOP VIEW**




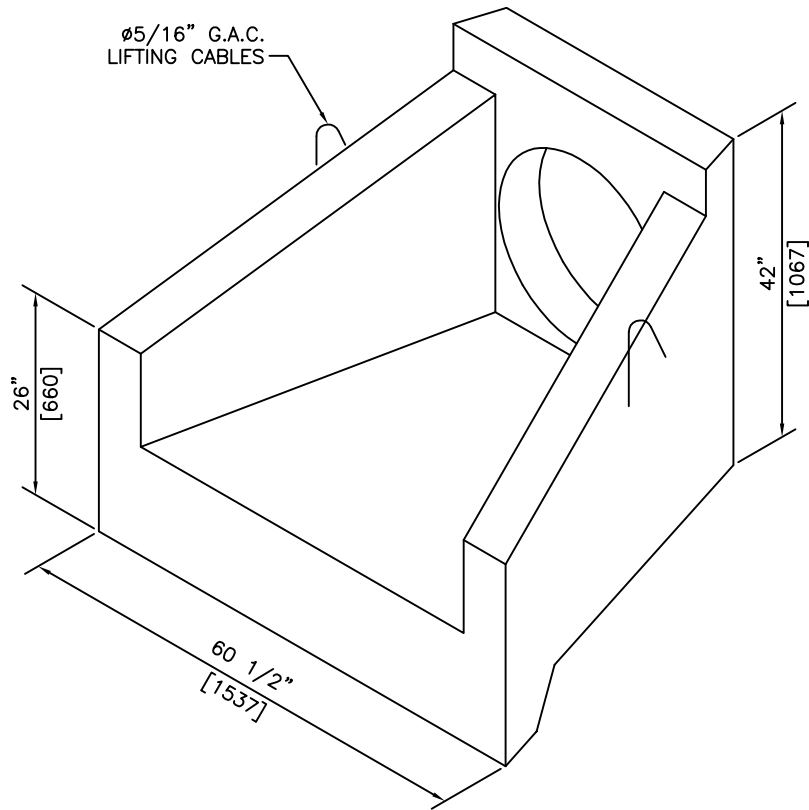
**SIDE VIEW**

**NOTES:**

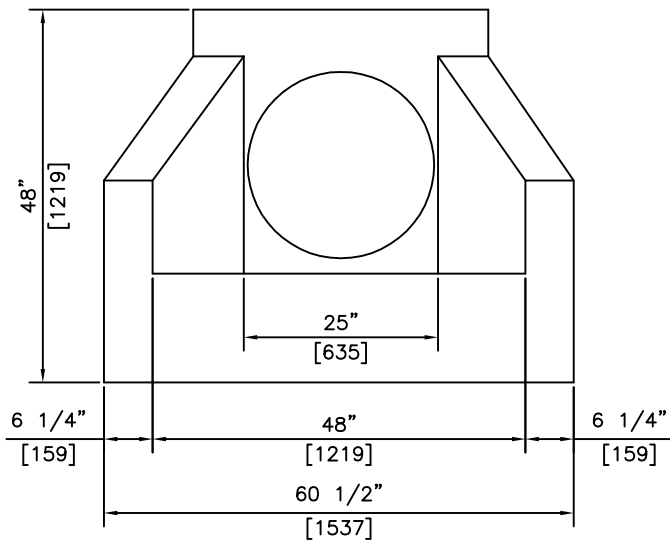
1) ALL MATERIAL IS PAINTED BLACK

REVISED: MAY 3 2006

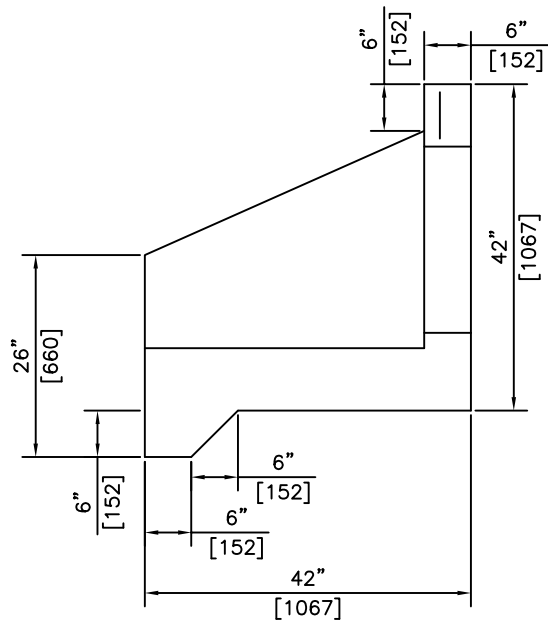
 <p><b>KON KAST</b> products (2005) Ltd. "Committed To Quality And Service"</p>	<p>3440 UNIVERSITY WAY KELOWNA B.C. V1V 1V9 PH: (250)765-1423 FX: (250)765-0820</p>	BY: PKR	<p><b>INLET STRUCTURE GRATE</b></p>	ITEM NO.
		DATE: MAR 16 05		<p><b>1487-G</b></p>
		SCALE: NTS		



**ISOMETRIC**



**ELEVATION**




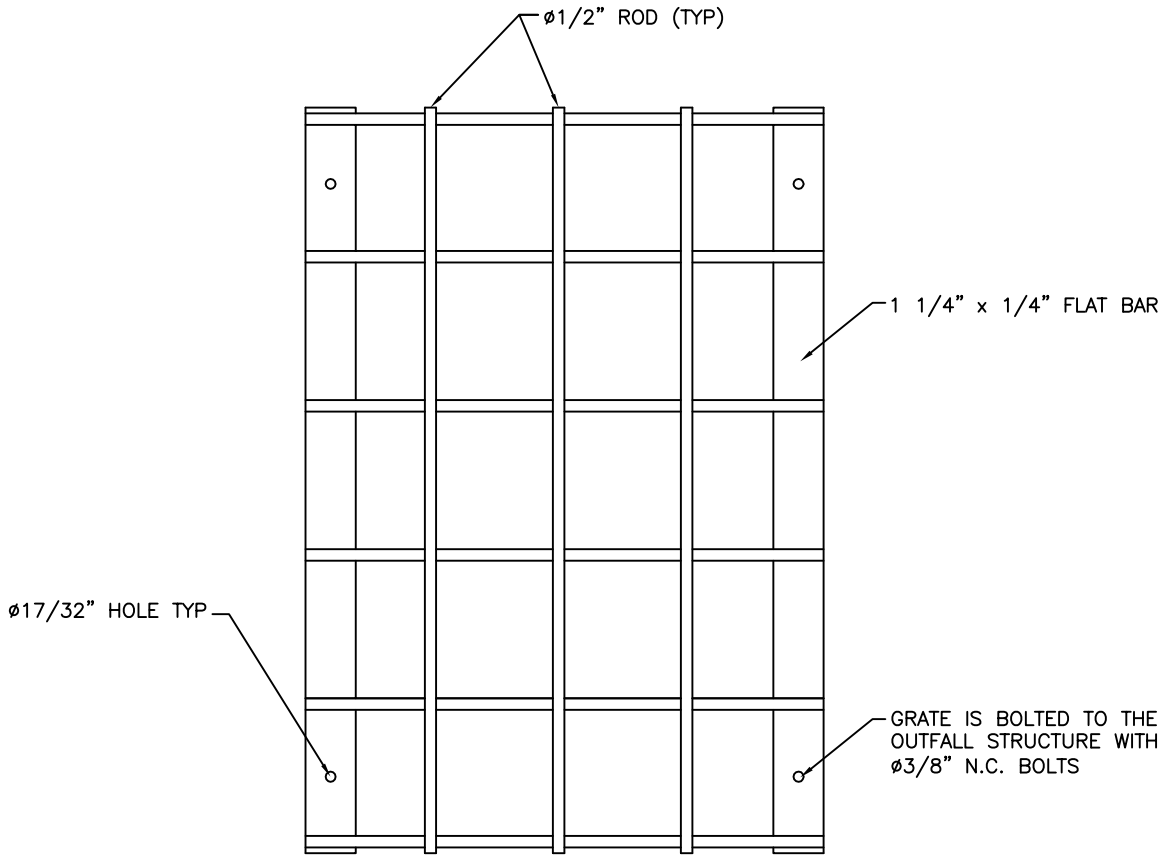
**ELEVATION**

**NOTES:**

1) 27.6MPa @ 28 DAYS

REVISED: APR 2 2014

 <p><b>KON KAST</b> products (2005) Ltd. "Committed To Quality And Service"</p>	<p>1313 INNOVATION DR KELOWNA B.C. V1V 3B3 PH: (250)765-1423 FX: (250)765-0820</p>	<p>BY: PKR DATE: MAR 16 05 SCALE: NTS</p>	<p><b>HEADWALL STRUCTURE "SMALL"</b></p>	<p>DRAWING <b>1490</b></p>




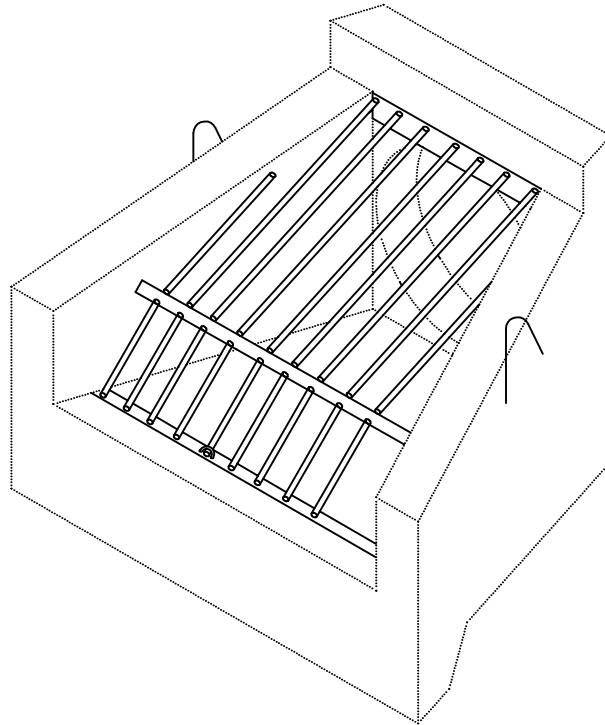
**PLAN VIEW**

**NOTES:**

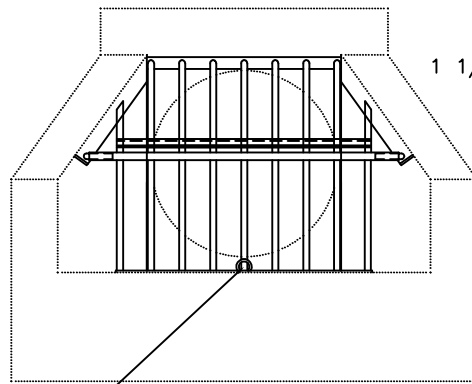
1) HOT DIPPED GALVANIZED

REVISED: APR 2 2014

 <p><b>KON KAST</b> products (2005) Ltd. "Committed To Quality And Service"</p>	<p>1313 INNOVATION DRIVE KELOWNA B.C. V1V 3B3 PH: (250)765-1423 FX: (250)765-0820</p>	BY:PKR	<p><b>FLAT GRATE</b> <b>"SMALL"</b> <b>HEADWALL</b></p>	ITEM NO.
		DATE:MAR 17 05		<p><b>1490FG</b></p>
		SCALE:NTS		



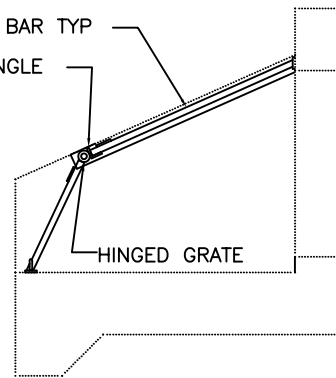
**ISOMETRIC**



ø2" LIFTING HOOP

**FRONT VIEW**

ø3/4" ROUND BAR TYP  
1 1/2"x1 1/2"x1/4" ANGLE



HINGED GRATE

**SIDE VIEW**

**NOTES:**

1) HOT DIPPED GALVANIZED

REVISED: APR 2 2014



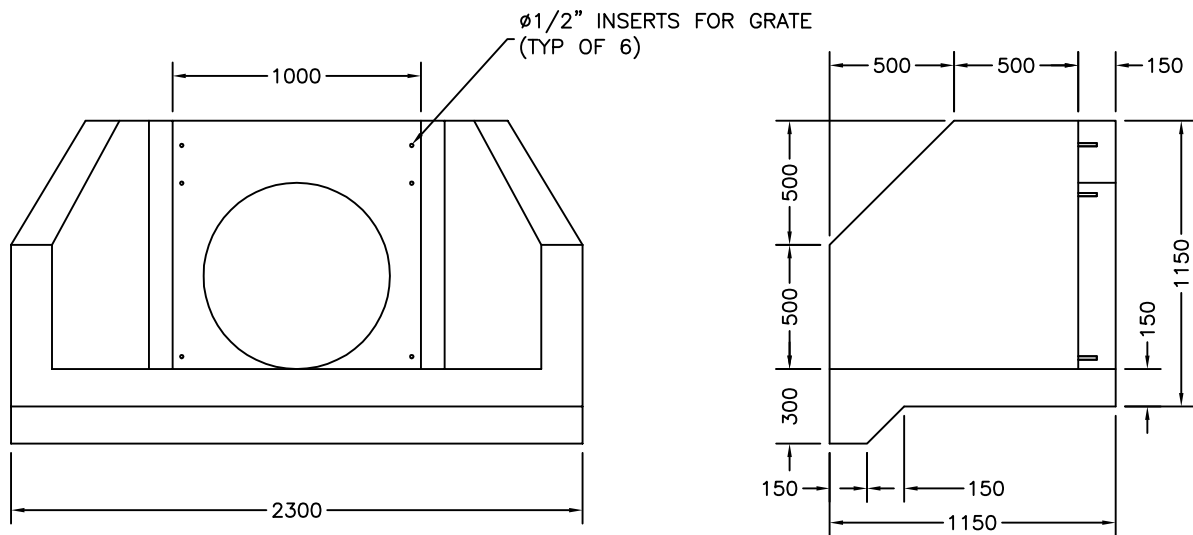
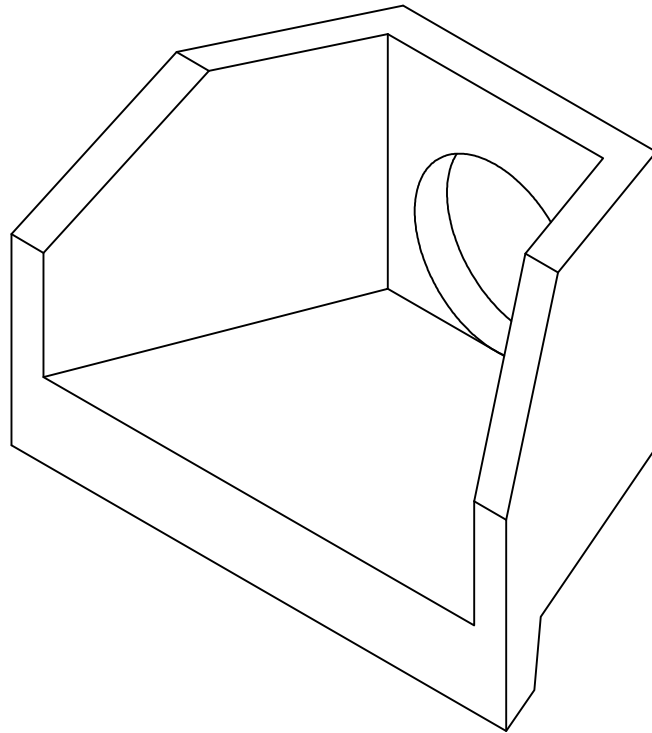
**KON KAST**  
products (2005) Ltd.  
"Committed To Quality And Service"

1313 INNOVATION DR  
KELOWNA B.C.  
V1V 3B3  
PH: (250)765-1423  
FX: (250)765-0820

BY: PKR  
DATE: MAR 17 05  
SCALE: NTS

**HINGED GRATE**  
**"SMALL"**  
**HEADWALL**

DRAWING  
**1490HG**



30Mpa @ 28 days  
 Maximum Pipe Size - 750mm (30")

WEIGHT: 2030 kg

REVISED: APR 2 2014



**KON KAST**  
 products (2005) ltd.

ph: (250) 765 1423  
 fx: (250) 765 0820  
 www.konkast.com

DESCRIPTION

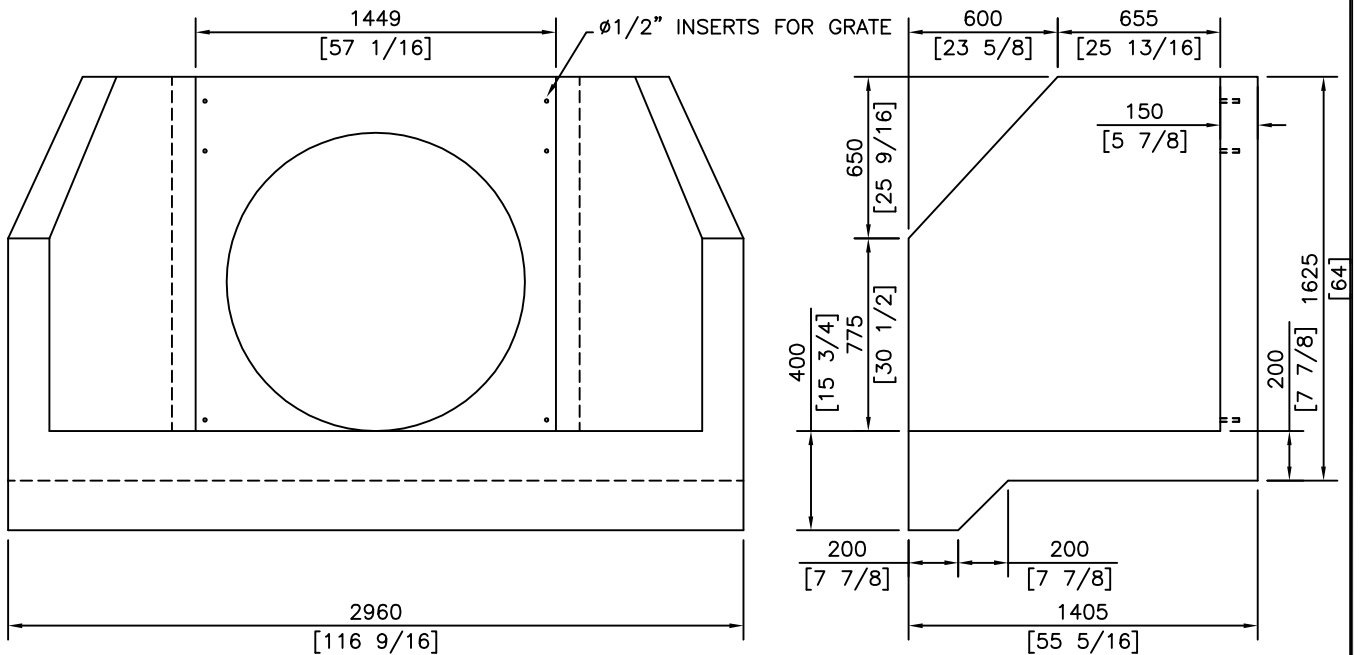
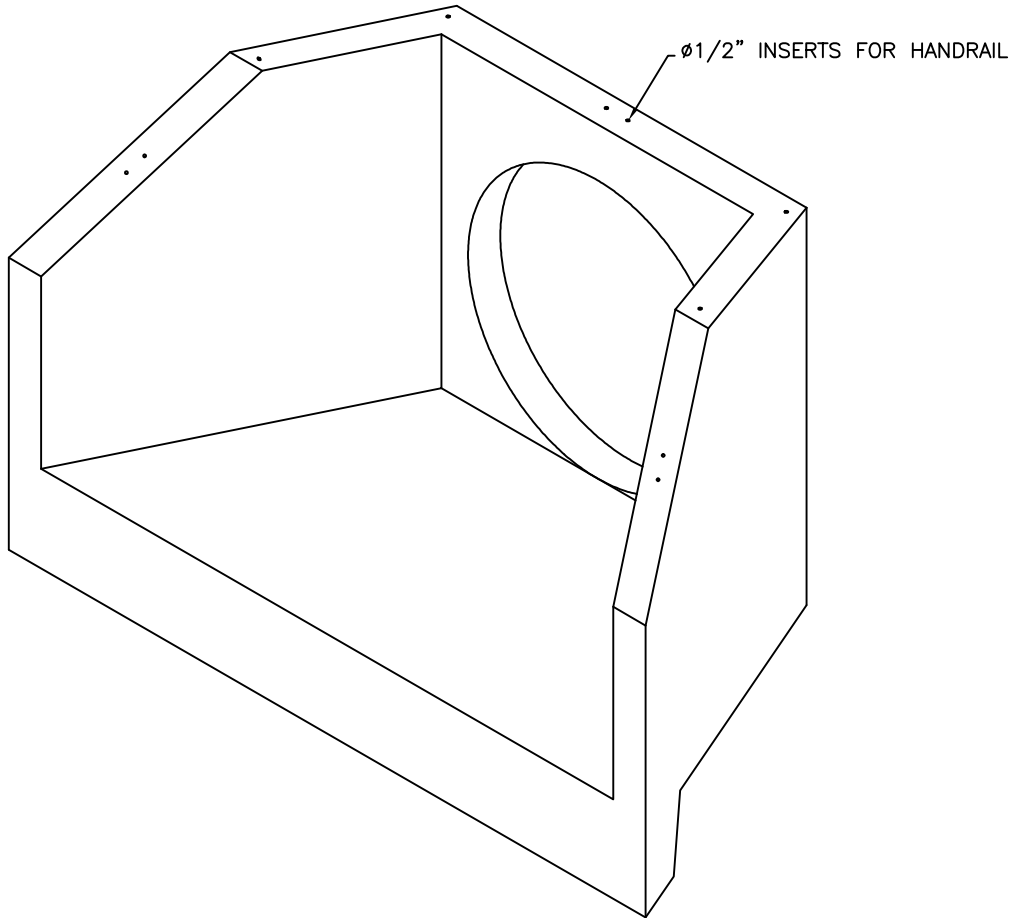
**HEADWALL  
 STRUCTURE  
 "MEDIUM"**

DRAWN BY: PKR  
 DATE: APR 2 2014  
 SCALE: NTS

DRAWING:

**1491**


"Committed To Quality And Service"

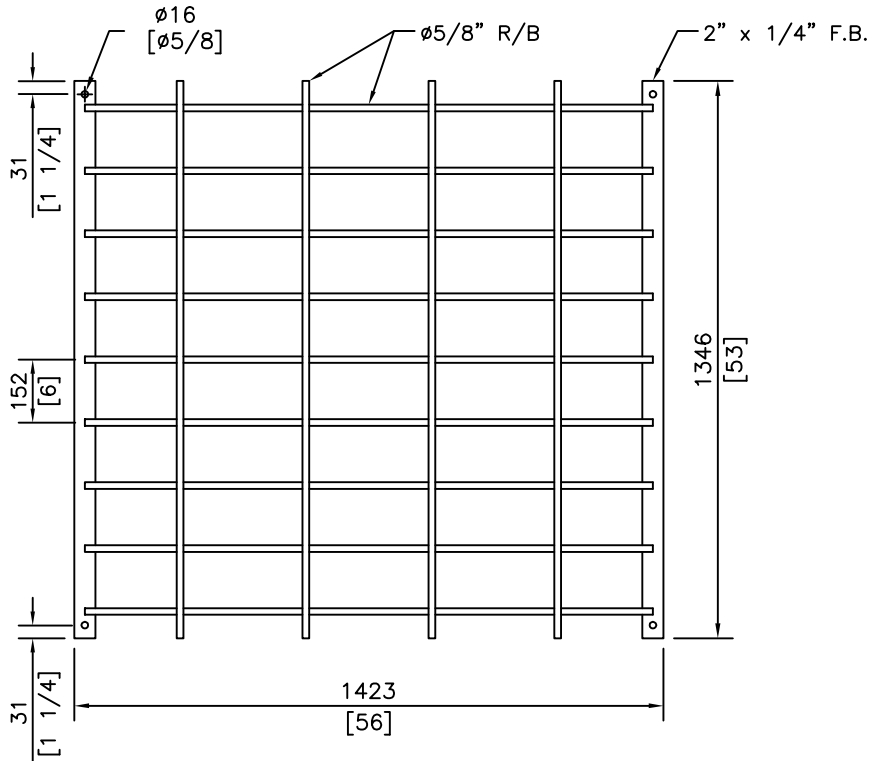


**NOTES:**

1) 27.6 MPa @ 28 DAYS

REVISED: JUNE 13 2011

 <p><b>KON KAST</b> products (2005) Ltd. "Committed To Quality And Service"</p>	<p>1313 INNOVATION DRIVE KELOWNA B.C. V1V 3B3 PH: (250)765-1423 FX: (250)765-0820</p>	BY: PKR	<p><b>HEADWALL STRUCTURE "LARGE"</b></p>	ITEM NO.
		DATE: JAN 10 11		<p><b>1492</b></p>
		SCALE: NTS		




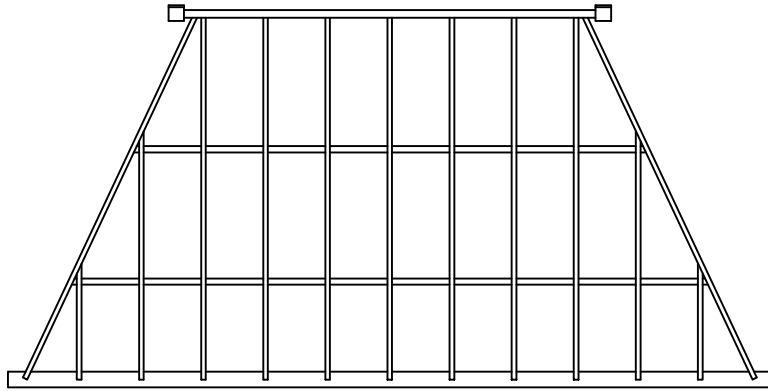
**FLAT GRATE**

**NOTES:**

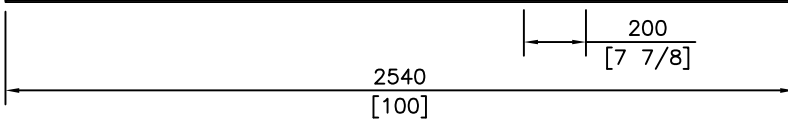
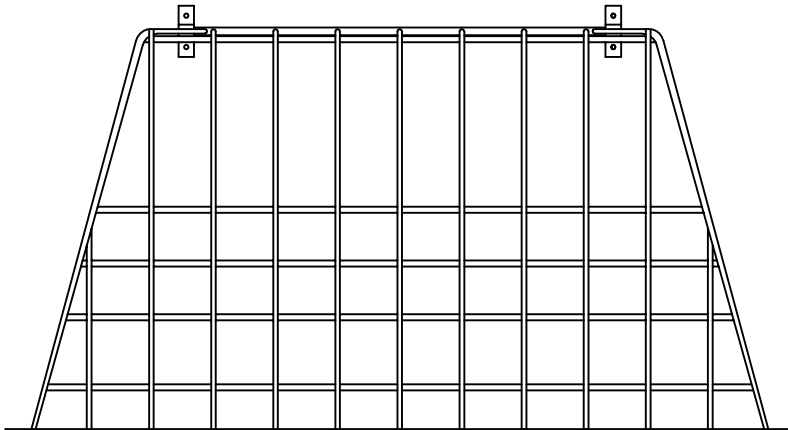
1) HOT DIPPED GALVANIZED

REVISED: JUNE 9 2011

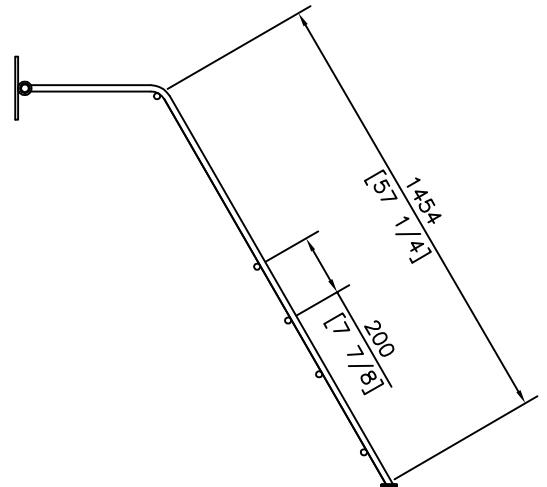
 <p><b>KON KAST</b> products (2005) Ltd. "Committed To Quality And Service"</p>	<p>1313 INNOVATION DRIVE KELOWNA B.C. V1V 3B3 PH: (250)765-1423 FX: (250)765-0820</p>	BY: PKR	<p><b>FLAT GRATE</b> <b>"LARGE"</b> <b>HEADWALL</b></p>	ITEM NO.
		DATE: JAN 10 11		<p><b>1492FG</b></p>
		SCALE: NTS		



**TOP VIEW**



**FRONT VIEW**




**SIDE VIEW**

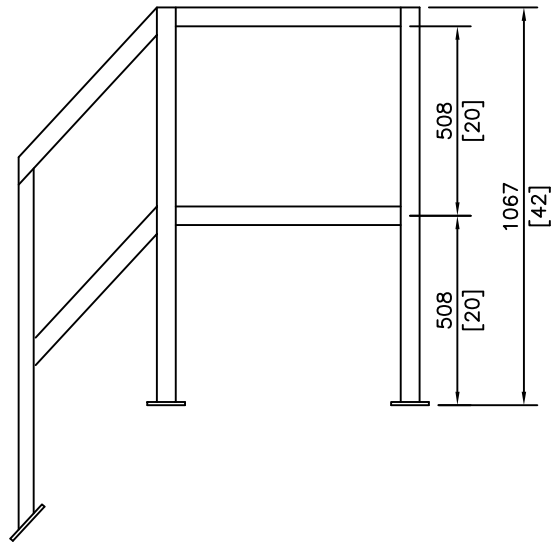
**NOTES:**

1) HOT DIPPED GALVANIZED

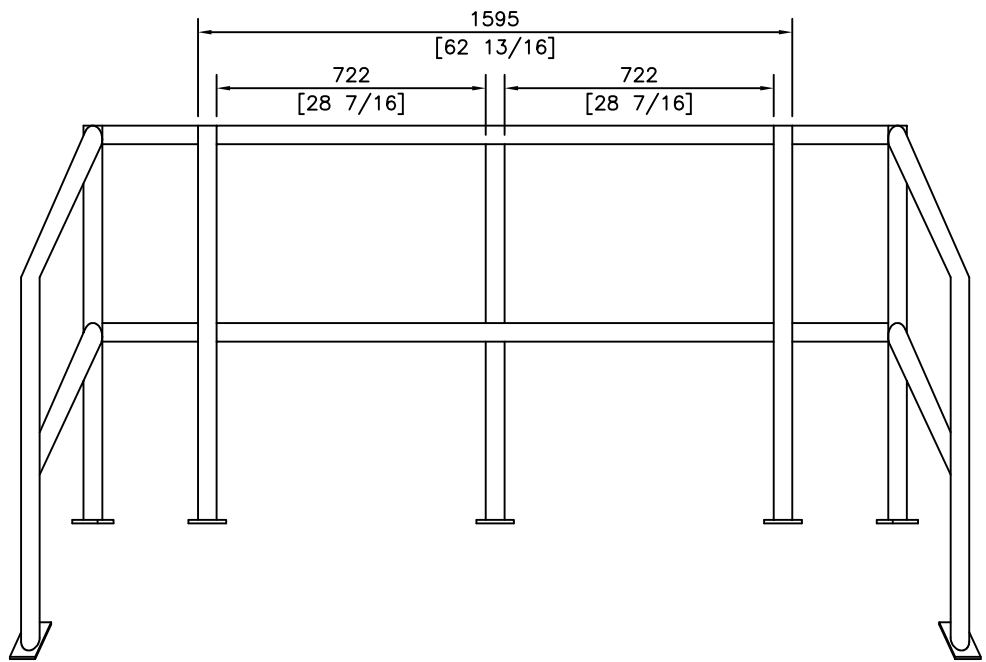
REVISED: JUNE 9 2011

 <p><b>KON KAST</b> products (2005) Ltd. "Committed To Quality And Service"</p>	<p>1313 INNOVATION DRIVE KELOWNA B.C. V1V 3B3 PH: (250)765-1423 FX: (250)765-0820</p>	<p>BY: PKR</p>	<p><b>HINGED GRATE</b> <b>"LARGE"</b> <b>HEADWALL</b></p>	<p>ITEM NO.</p>
		<p>DATE: JAN 10 11</p>		<p><b>1492HG</b></p>
		<p>SCALE: NTS</p>		





**SIDE VIEW**




**FRONT VIEW**

**NOTES:**

- 1) HOT DIPPED GALVANIZED
- 2) 1.5" x 1.5" x .100 WALL SQ TUBING

REVISED: JUNE 9 2011

 <p><b>KON KAST</b> products (2005) Ltd. "Committed To Quality And Service"</p>	<p>1313 INNOVATION DRIVE KELOWNA B.C. V1V 3B3 PH: (250)765-1423 FX: (250)765-0820</p>	BY: PKR	<p><b>HANDRAIL "LARGE" HEADWALL</b></p>	ITEM NO.
		DATE: JAN 13 11		<p><b>1492HR</b></p>
		SCALE: NTS		