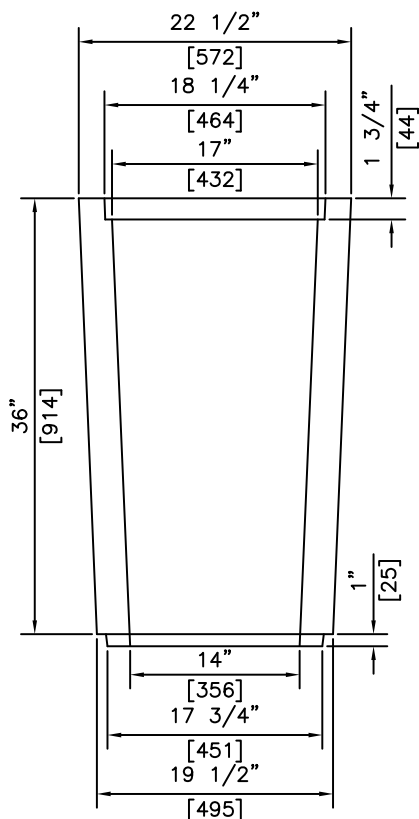
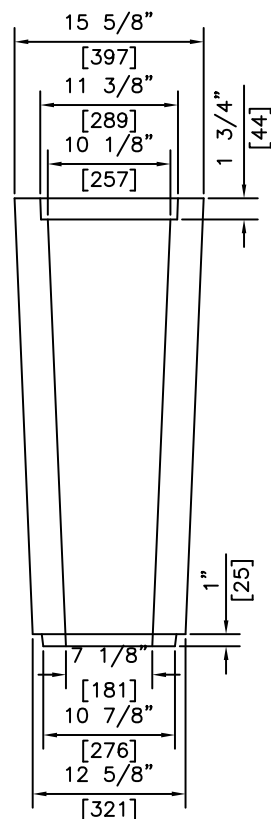


ISOMETRIC



SECTION



SECTION

NOTES:

1) 27.6 MPa @ 28 DAYS

REVISED: MAR 11 2005



KON KAST
products (2005) Ltd.
"Committed To Quality And Service"

3440 UNIVERSITY WAY
KELOWNA B.C.
V1V 1V9
PH: (250)765-1423
FX: (250)765-0820

BY: PKR
DATE: MAR 11 05
SCALE: NTS

36"
BROOKS BOX
RISER

ITEM NO.
1484