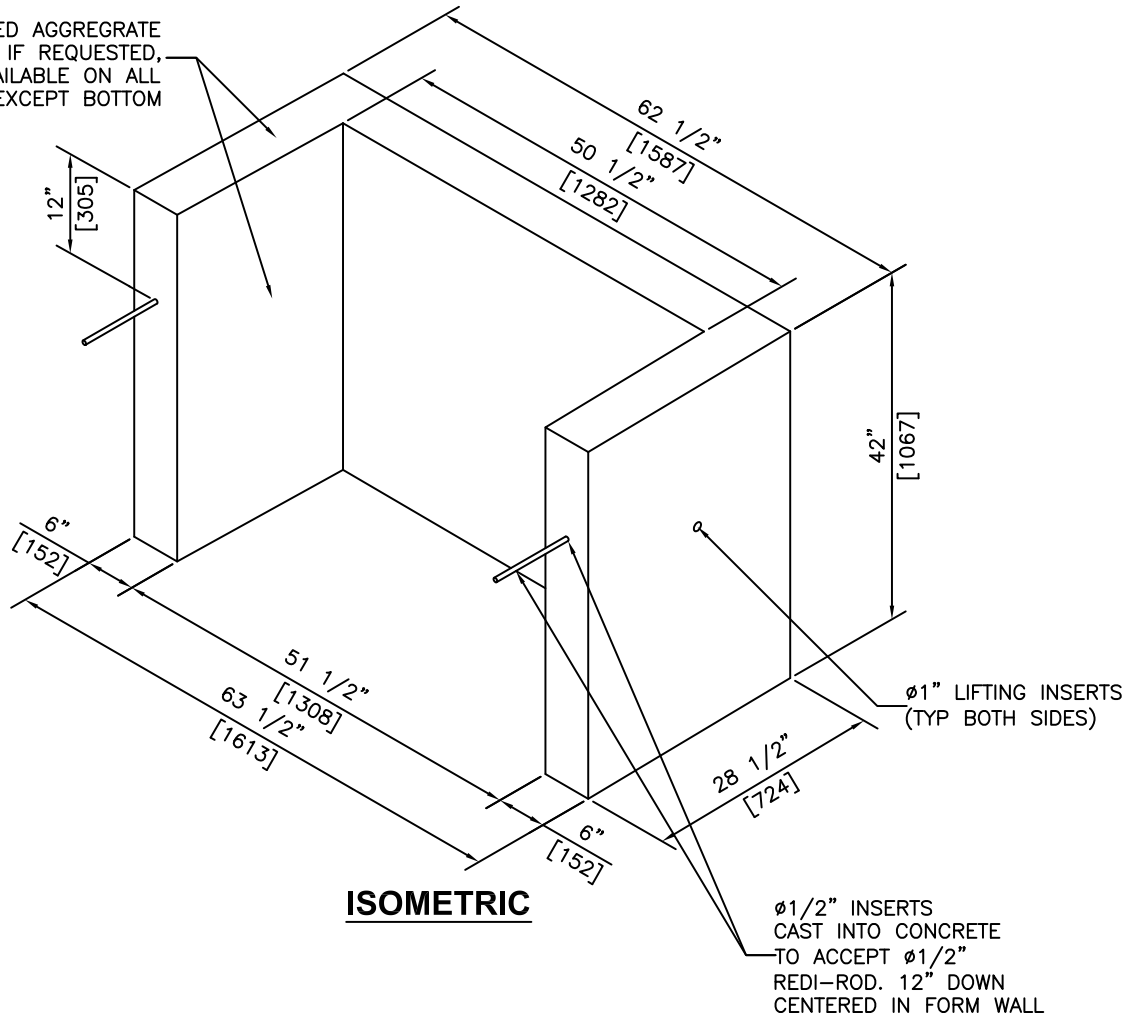
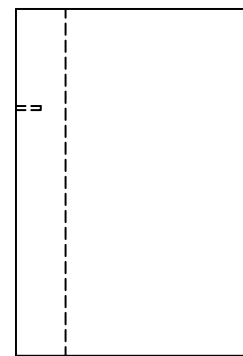


EXPOSED AGGREGATE FINISH, IF REQUESTED, IS AVAILABLE ON ALL SIDES, EXCEPT BOTTOM



**REAR ELEVATION**



**SIDE ELEVATION**

**NOTES:**

- 1) 27.6MPa @ 28 DAYS
- 2) AVAILABLE IN EXPOSED AS WELL ITEM # 1460E

REVISED: MAR 10 2005



**KON KAST**  
products (2005) Ltd.  
"Committed To Quality And Service"

3440 UNIVERSITY WAY  
KELOWNA B.C.  
V1V 1V9  
PH: (250)765-1423  
FX: (250)765-0820

BY: PKR  
DATE: MAR 10 05  
SCALE: NTS

**PRECAST  
PLAIN  
WINDOW WELL**

ITEM NO.  
**1460**