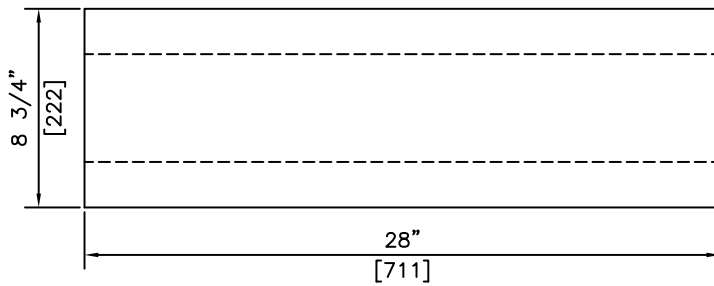
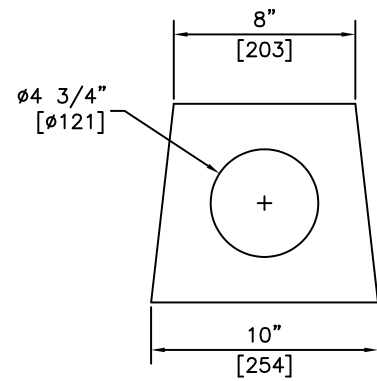


**ISOMETRIC**



**SECTION**



**ELEVATION**

**NOTES:**

- 1) 27.6 MPa @ 28 DAYS
- 2) NOTE THAT THERE IS NOT ANY REBAR OR MESH INSTALLED

REVISED: MAR 10 2005



**KON KAST**

products (2005) Ltd.  
"Committed To Quality And Service"

3440 UNIVERSITY WAY  
KELOWNA B.C.  
V1V 1V9  
PH: (250)765-1423  
FX: (250)765-0820

BY: PKR

DATE: MAR 10 05

SCALE: NTS

**OLD STYLE  
PROPANE  
STAND**

ITEM NO.

**1407**