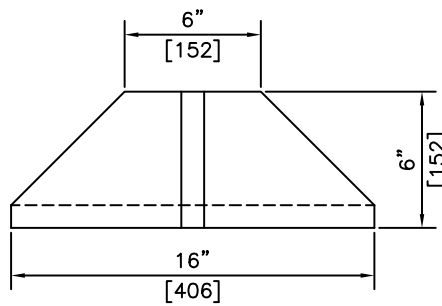


ISOMETRIC



SECTION

NOTES:

1) 27.6 MPa @ 28 DAYS

REVISED: MAR 10 2005



"Committed To Quality And Service"

KON KAST

products (2005) Ltd.

3440 UNIVERSITY WAY
 KELOWNA B.C.
 V1V 1V9

PH: (250)765-1423

FX: (250)765-0820

BY: PKR

DATE: MAR 10 05

SCALE: NTS

16" x 16" x 6"
PYRAMID
BLOCK

ITEM NO.

1406