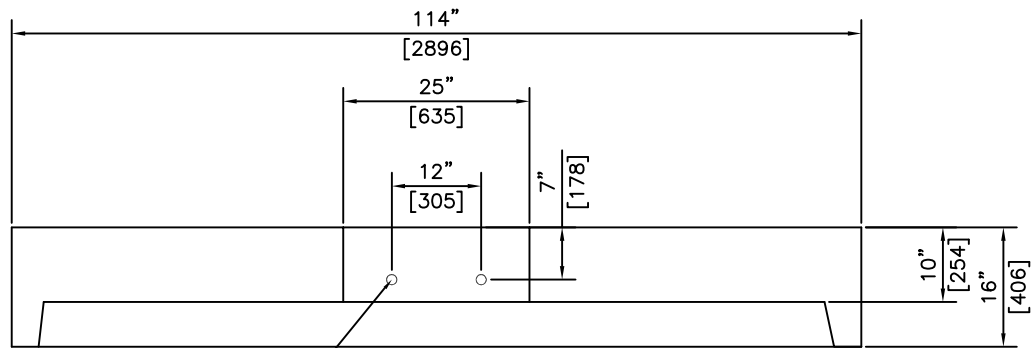


**ISOMETRIC**

NOTE:  
c/w 4-4 3/4" (4T) LIFTING  
ANCHORS FOR HANDLING




LADDER HOLES **SECTION**

**NOTES:**

- 1) MEETS OR EXCEEDS ASTM C-478
- 2) 27.6 MPa @ 28 DAYS
- 3) MEETS H-20 LOADING

REVISED: MAR 17 2010

 <p><b>KON KAST</b> products (2005) Ltd. "Committed To Quality And Service"</p>	<p>3440 UNIVERSITY WAY KELOWNA B.C. V1V 1V9 PH: (250)765-1423 FX: (250)765-0820</p>	BY: PKR	<p><b>114" (2900) O.D. LID</b> <b>Ø25" (635) OPENING FOR</b> <b>96" (2400) BARREL</b></p>	ITEM NO.
		DATE: SEP 11 06		<p><b>790</b></p>
		SCALE: NTS		