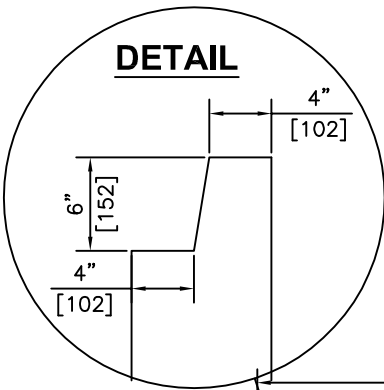
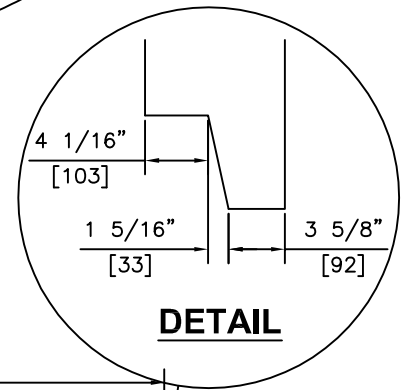


ISOMETRIC

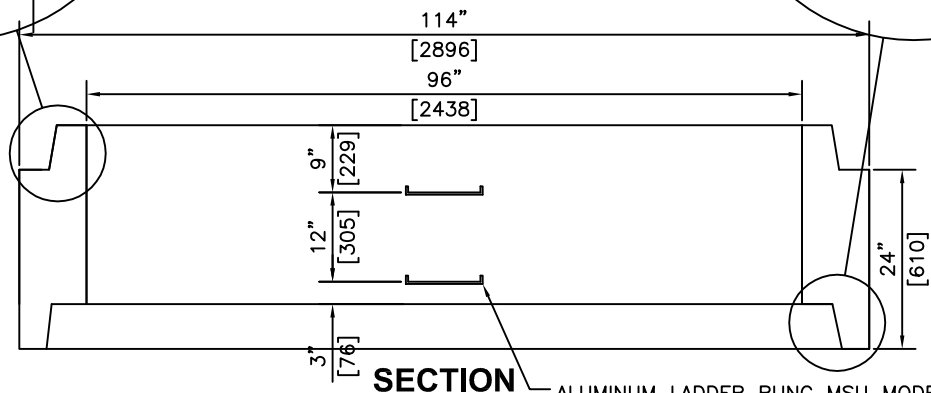
NOTE:
c/w 4-4 3/4" (4T) LIFTING
ANCHORS FOR HANDLING



DETAIL



DETAIL



SECTION

ALUMINUM LADDER RUNG MSU MODEL #350
4" (102) FROM WALL AT POINT OF EMBEDMENT

NOTES:

- 1) MEETS OR EXCEEDS ASTM C-478
- 2) 27.6 MPa @ 28 DAYS
- 3) MEETS H-20 LOADING

REVISED: JAN 9 2008



KON KAST
products (2005) Ltd.
"Committed To Quality And Service"

3440 UNIVERSITY WAY
KELOWNA B.C.
V1V 1V9
PH: (250)765-1423
FX: (250)765-0820

BY: PKR
DATE: SEP 11 06
SCALE: NTS

96" (2400) I.D.
x 24" (610) HEIGHT
MANHOLE BARREL

ITEM NO.
788