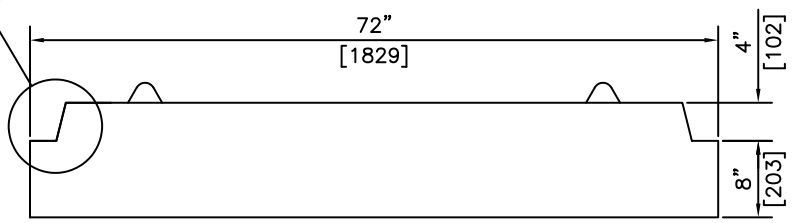
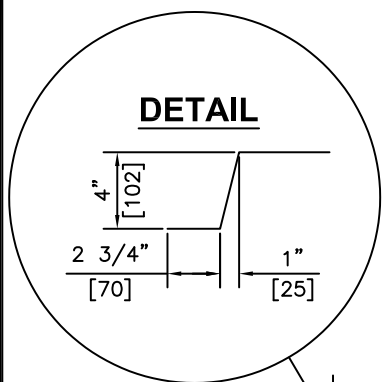


ISOMETRIC




SECTION

NOTES:

- 1) MEETS OR EXCEEDS ASTM C-478
- 2) 27.6 MPa @ 28 DAYS
- 3) MEETS H-20 LOADING

REVISED: FEB 8 2005

 <p>KON KAST products (2005) Ltd. "Committed To Quality And Service"</p>	<p>3440 UNIVERSITY WAY KELOWNA B.C. V1V 1V9 PH: (250)765-1423 FX: (250)765-0820</p>	BY: PKR	<p>72" (1829) O.D. BASE FOR 60" (1500) BARREL</p>	ITEM NO.
		DATE: FEB 8 05		<p>779</p>
		SCALE: NTS		