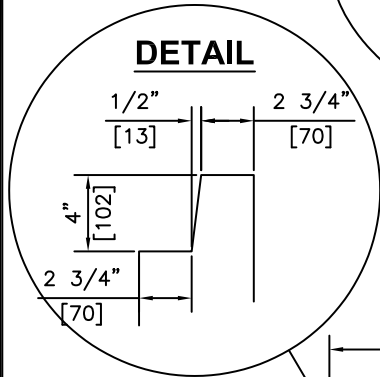
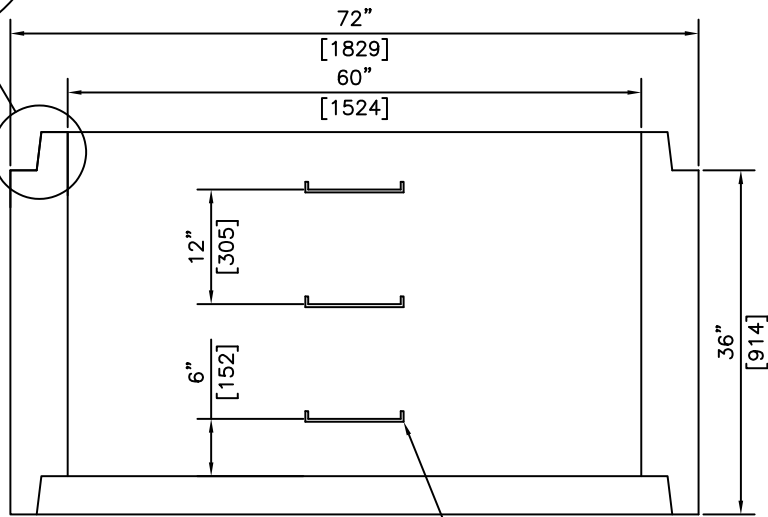


ISOMETRIC

NOTE:
c/w 2-3 3/8" UNI-LIFT
ANCHORS FOR HANDLING



DETAIL



SECTION

ALUMINUM LADDER RUNG MSU
MODEL #350 4" (102) FROM WALL
AT POINT OF EMBEDMENT

REVISED: MAR 7 2006

NOTES:

- 1) MEETS OR EXCEEDS ASTM C-478
- 2) 27.6 MPa @ 28 DAYS
- 3) MEETS H-20 LOADING



KON KAST
products (2005) Ltd.
"Committed To Quality And Service"

3440 UNIVERSITY WAY
KELOWNA B.C.
V1V 1V9
PH: (250)765-1423
FX: (250)765-0820

BY: PKR
DATE: FEB 8 05
SCALE: NTS

60" (1500) I.D.
x 36" (914) HEIGHT
MANHOLE BARREL

ITEM NO.
777