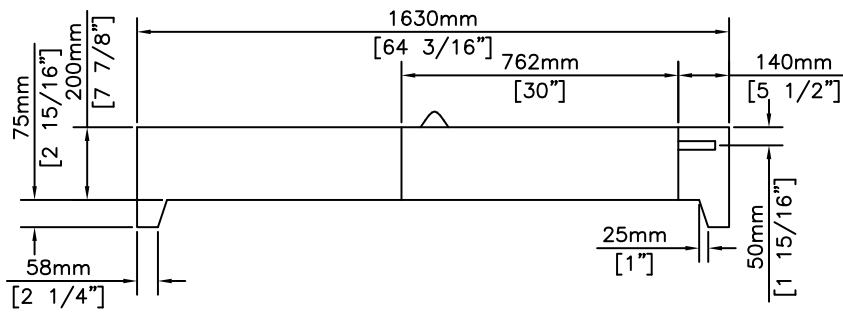


ISOMETRIC




SECTION

NOTES:

- 1) MEETS OR EXCEEDS ASTM C478
- 2) 27.6 MPa @ 28 DAYS
- 3) MEETS H-20 LOADING

REVISED: FEB 8 2005

 <p>KON KAST products (2005) Ltd. "Committed To Quality And Service"</p>	<p>3440 UNIVERSITY WAY KELOWNA B.C. V1V 1V9 PH: (250)765-1423 FX: (250)765-0820</p>	<p>BY: PKR</p>	<p>Ø1630mm LID Ø762mm OPENING FOR 1350mm BARREL</p>	<p>ITEM NO.</p>
		<p>DATE: FEB 8 05</p>		<p>758</p>
		<p>SCALE: NTS</p>		