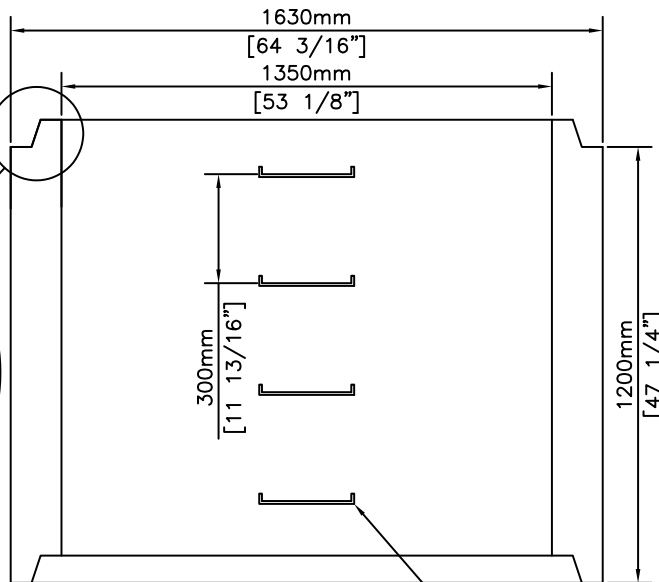


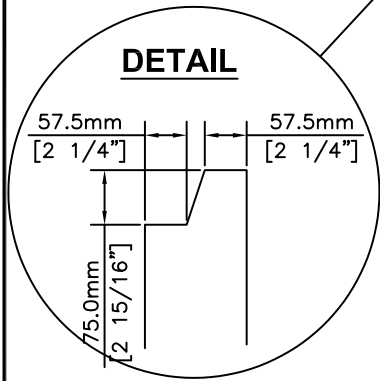
**ISOMETRIC**

NOTE:  
c/w 2-3 3/8 UNI-LIFT  
ANCHORS FOR HANDLING



**ELEVATION**

ALUMINUM LADDER RUNG MSU MODEL #350  
102mm (4") FROM WALL AT  
POINT OF EMBEDMENT




**DETAIL**

**NOTES:**

- 1) MEETS OR EXCEEDS ASTM C-478
- 2) 27.6 MPa @ 28 DAYS
- 3) MEETS H-20 LOADING

REVISED: MAR 27 2006

 <b>KON KAST</b> products (2005) Ltd. "Committed To Quality And Service"	3440 UNIVERSITY WAY KELOWNA B.C. V1V 1V9 PH: (250)765-1423 FX: (250)765-0820	BY: PKR DATE: FEB 7 05 SCALE: NTS	<b>1350mm (53 1/8") I.D.</b> <b>x 1200mm (48") HEIGHT</b> <b>MANHOLE BARREL</b>	ITEM NO. <b>757</b>