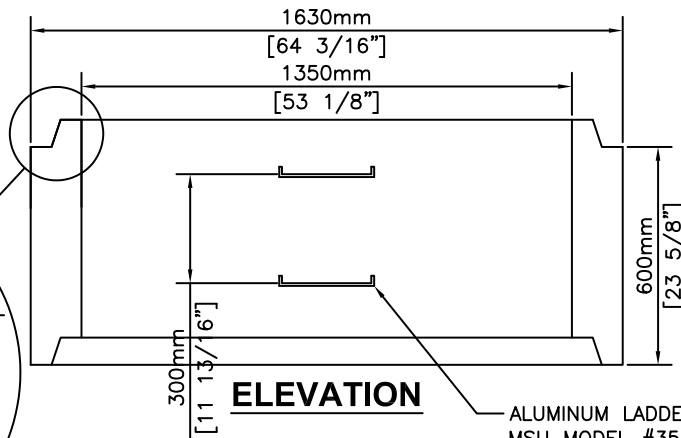


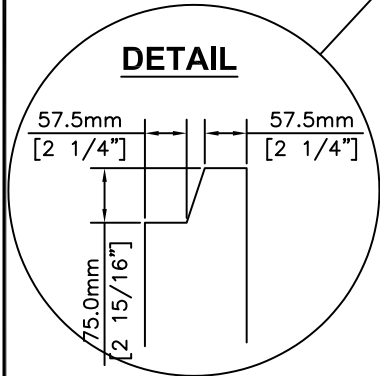
**ISOMETRIC**

NOTE:  
c/w 2-3 3/8 UNI-LIFT  
ANCHORS FOR HANDLING



**ELEVATION**

ALUMINUM LADDER RUNG  
MSU MODEL #350  
102mm (4") FROM WALL  
AT POINT OF EMBEDMENT



**DETAIL**

**NOTES:**

- 1) MEETS OR EXCEEDS ASTM C-478
- 2) 27.6 MPa @ 28 DAYS
- 3) MEETS H-20 LOADING

REVISED: MAR 27 2006



**KON KAST**  
products Ltd.  
"Committed To Quality And Service"

3440 UNIVERSITY WAY  
KELOWNA B.C.  
V1V 1V9  
PH: (250)765-1423  
FX: (250)765-0820

BY: PKR  
DATE: FEB 7 05  
SCALE: NTS

**1350mm (53 1/8") I.D.**  
**x 600mm (24") HEIGHT**  
**MANHOLE BARREL**

ITEM NO.

**755**