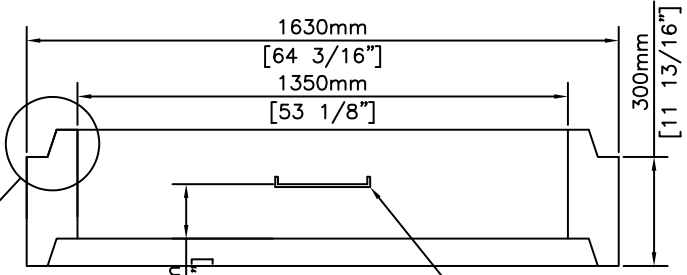


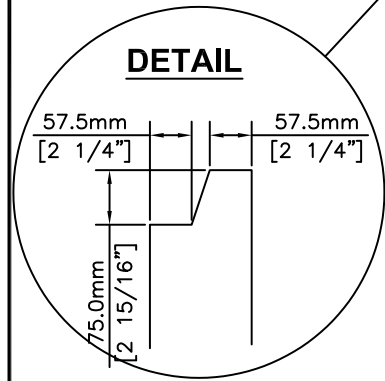
ISOMETRIC

NOTE:
c/w 2-2 3/16 UNI-LIFT
ANCHORS FOR HANDLING



ELEVATION


ALUMINUM LADDER RUNG
MSU MODEL #350
102mm (4") FROM WALL
AT POINT OF EMBEDMENT



NOTES:

- 1) MEETS OR EXCEEDS ASTM C-478
- 2) 27.6 MPa @ 28 DAYS
- 3) MEETS H-20 LOADING

REVISED: MAR 27 2006

 <p>KON KAST products (2005) Ltd. "Committed To Quality And Service"</p>	<p>3440 UNIVERSITY WAY KELOWNA B.C. V1V 1V9 PH: (250)765-1423 FX: (250)765-0820</p>	BY: PKR	<p>1350mm (53 1/8") I.D. x 300mm (12") HEIGHT MANHOLE BARREL</p>	ITEM NO.
		DATE: FEB 7 05		<p>754</p>
		SCALE: NTS		