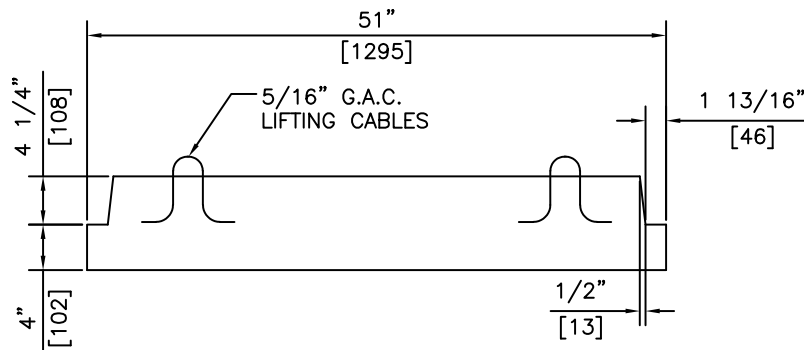


ISOMETRIC




ELEVATION

NOTES:

- 1) MEETS OR EXCEEDS ASTM C478
- 2) 27.6 MPa @ 28 DAYS
- 3) MEETS H-20 LOADING

REVISED: FEB 7 2005

| | | | | |
|----------------------------------------------------------------------------------------------------------------------------------------------------------------------------|-----------------------------------------------------------------------------------------------------|----------------|--------------------------------------------------------------------------------|-------------------|
|  <p>KON KAST products (2005) Ltd. "Committed To Quality And Service"</p> | <p>3440 UNIVERSITY WAY KELOWNA B.C. V1V 1V9 PH: (250)765-1423 FX: (250)765-0820</p> | BY: PKR | <p>51" (1295) O.D. BASE FOR 42" (1050) BARREL</p> | ITEM NO. |
| | | DATE: FEB 7 05 | | <p>735</p> |
| | | SCALE: NTS | | |