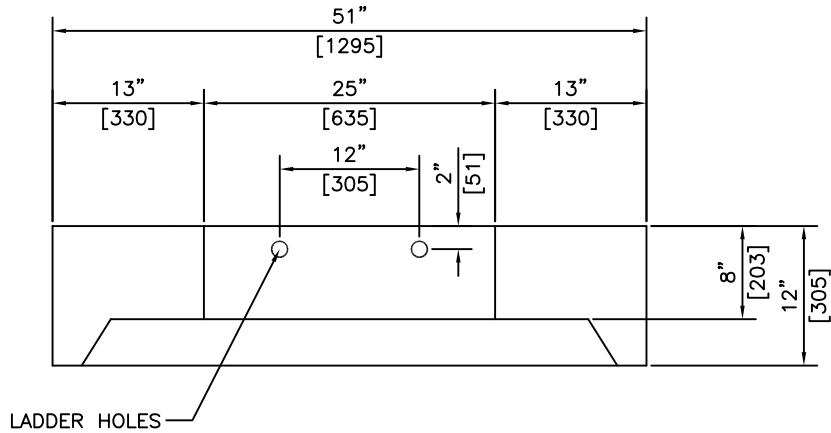


NOTE:  
c/w 3-3 3/8" LIFTING  
ANCHORS FOR HANDLING

**ISOMETRIC**




LADDER HOLES

**SECTION**

**NOTES:**

- 1) MEETS OR EXCEEDS ASTM C478
- 2) 27.6 MPa @ 28 DAYS
- 3) MEETS H-20 LOADING

REVISED: JAN 8 2008

 <p><b>KON KAST</b> products (2005) Ltd. "Committed To Quality And Service"</p>	<p>3440 UNIVERSITY WAY KELOWNA B.C. V1V 1V9 PH: (250)765-1423 FX: (250)765-0820</p>	BY: PKR	<p><b>Ø51" (1295) O.D. LID</b> <b>Ø25" (635) OPENING</b> <b>FOR 42" (1050) BARREL</b></p>	ITEM NO.
		DATE: FEB 7 05		<p><b>725</b></p>
		SCALE: NTS		