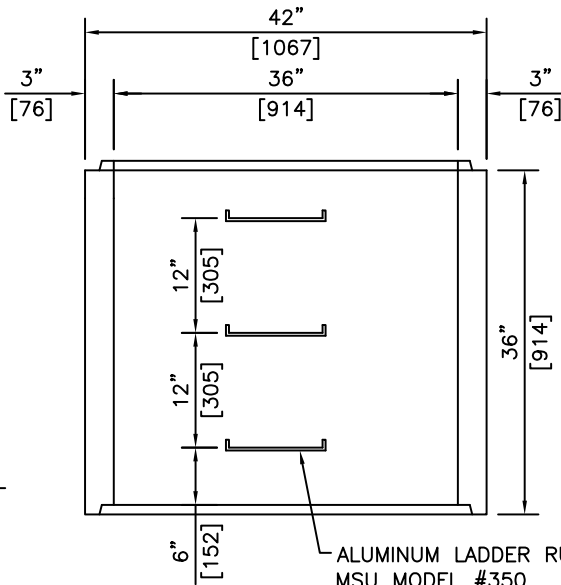
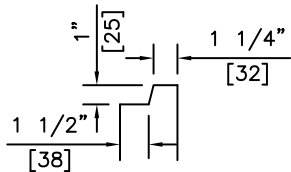


ISOMETRIC

NOTE:
c/w 2-2 3/16" UNI-LIFT
ANCHORS FOR HANDLING



SECTION



DETAIL

ALUMINUM LADDER RUNG
MSU MODEL #350
4" [102] FROM WALL
AT POINT OF EMBEDMENT

NOTES:

- 1) MEETS OR EXCEEDS ASTM C478
- 2) 27.6 MPa @ 28 DAYS
- 3) MEETS H-20 LOADING

REVISED: MAR 6 2006



KON KAST
products (2005) Ltd.
"Committed To Quality And Service"

3440 UNIVERSITY WAY
KELOWNA B.C.
V1V 1V9
PH: (250)765-1423
FX: (250)765-0820

BY: PKR
DATE: FEB 7 05
SCALE: NTS

**36" (900) I.D.
MANHOLE BARREL
x 36" (914) HEIGHT**

ITEM NO.
713