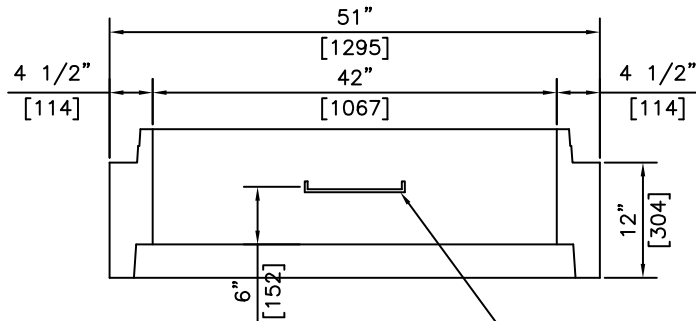


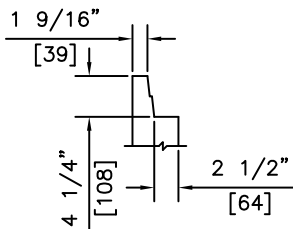
ISOMETRIC

NOTE:
c/w 2-2 3/16" UNI-LIFT
ANCHORS FOR HANDLING



ELEVATION

ALUMINUM LADDER RUNG
MSU MODEL #350
4" (102) FROM WALL
AT POINT OF EMBEDMENT




DETAIL

NOTES:

- 1) MEETS OR EXCEEDS ASTM C478
- 2) 27.6 MPa @ 28 DAYS
- 3) MEETS H-20 LOADING

REVISED: MAR 6 2006

 <p>KON KAST products (2005) Ltd. "Committed To Quality And Service"</p>	<p>3440 UNIVERSITY WAY KELOWNA B.C. V1V 1V9 PH: (250)765-1423 FX: (250)765-0820</p>	BY: PKR	<p>42" (1050) I.D. x 12" (305) HEIGHT MANHOLE BARREL</p>	ITEM NO.
		DATE: FEB 4 05		<p>701</p>
		SCALE: NTS		