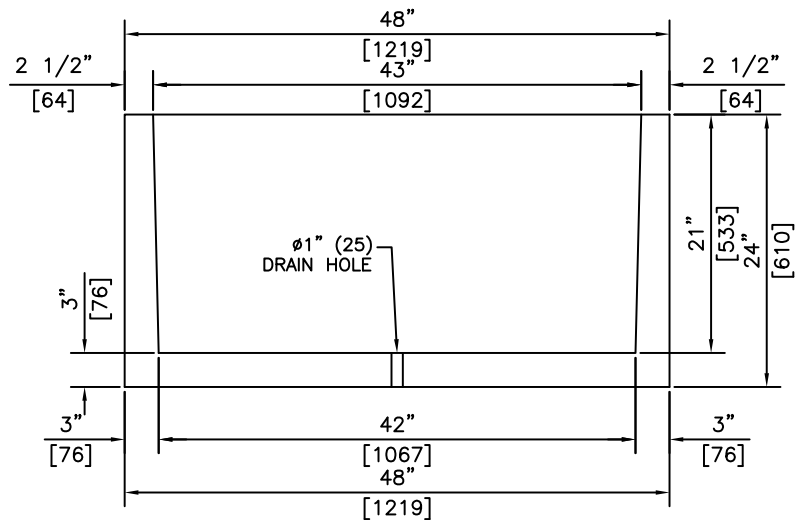


**NOTE:**  
 2 -  $\phi 1/2"$  (13) INSERTS ARE LOCATED  
 ON INSIDE OF FLOWER POT FOR LIFTING

**ISOMETRIC**



**SECTION**

ITEM No.	DESCRIPTION
1755E12	POURED TO A 12" HEIGHT
1755E24	AS SHOWN
1755E36	POURED TO A 36" HEIGHT

**NOTES:**  
 1) 27.6MPa @ 28 DAYS

REVISED: MAR 22 2005



**KON KAST**  
 products (2005) Ltd.  
 "Committed To Quality And Service"

3440 UNIVERSITY WAY  
 KELOWNA B.C.  
 V1V 1V9  
 PH: (250)765-1423  
 FX: (250)765-0820

BY: PKR  
 DATE: MAR 25 05  
 SCALE: NTS

**48" (1219)**  
**SQUARE FLOWER**  
**BOX**

ITEM NO.  
**1755E24**