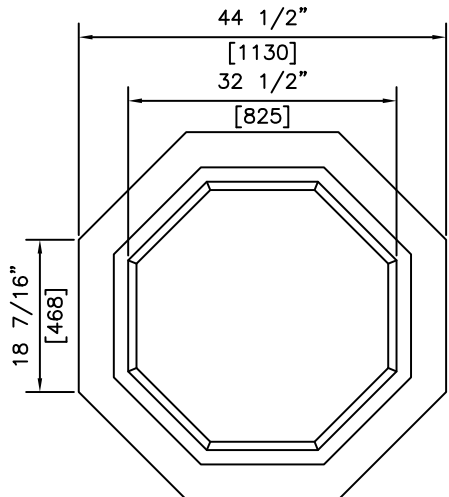
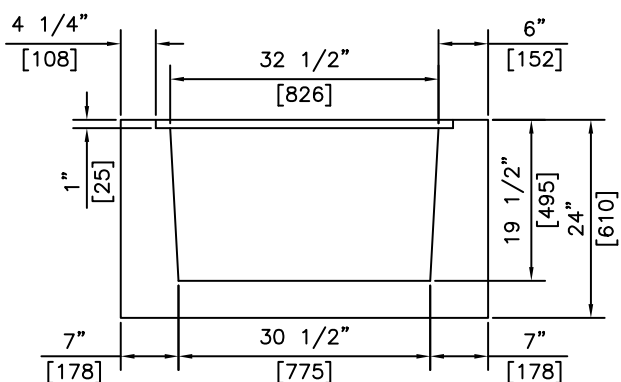


**ISOMETRIC**




**PLAN**



**SECTION**

- NOTES:**  
 1) 27.6MPa @ 28 DAYS  
 2) CAN BE MANUFACTURED WITHOUT A BOTTOM

REVISED: MAR 13 2006

 <b>KON KAST</b> products (2005) Ltd. "Committed To Quality And Service"	3440 UNIVERSITY WAY KELOWNA B.C. V1V 1V9 PH: (250)765-1423 FX: (250)765-0820	BY: PKR DATE: MAR 23 05 SCALE: NTS	<b>FLOWER          BOX          (OCTAGON)</b>	ITEM NO. <b>1744E</b>