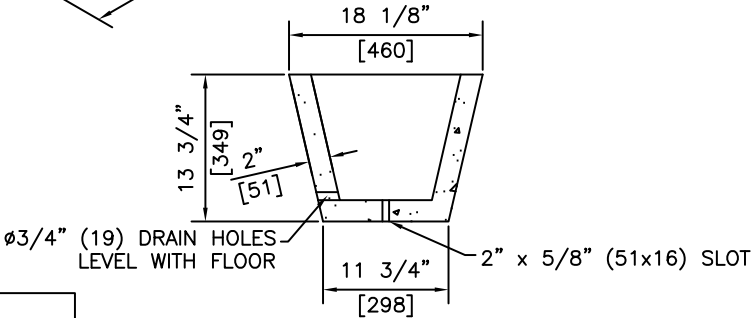
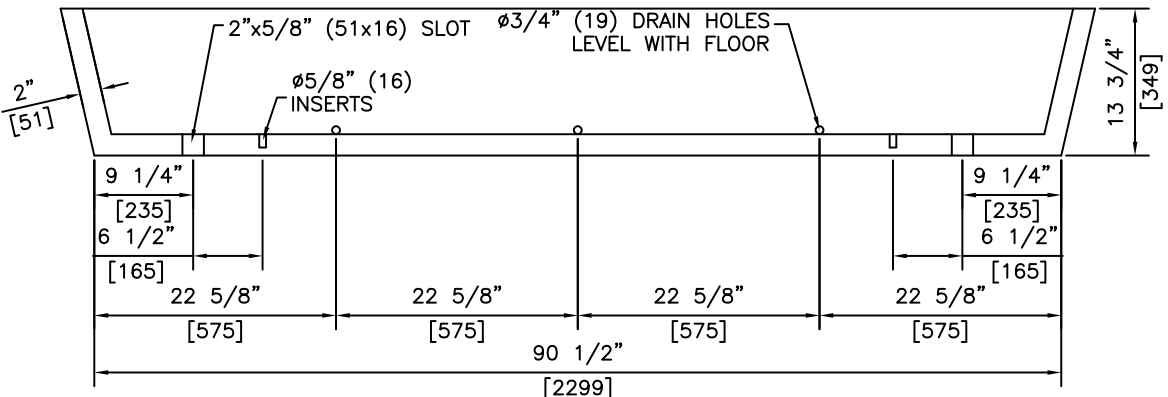


ISOMETRIC



SECTION


NOTES:
 2 - $\phi 1/2$ " (12) INSERTS ARE LOCATED ON INSIDE OF FLOWER POT FOR LIFTING



SECTION

NOTES:
 1) 27.6MPa @ 28 DAYS

REVISED: MAR 22 2005

 KON KAST products (2005) Ltd. "Committed To Quality And Service"	3440 UNIVERSITY WAY KELOWNA B.C. V1V 1V9 PH: (250)765-1423 FX: (250)765-0820	BY: PKR DATE: MAR 22 05 SCALE: NTS	FLOWER BOX	ITEM NO. 1730E