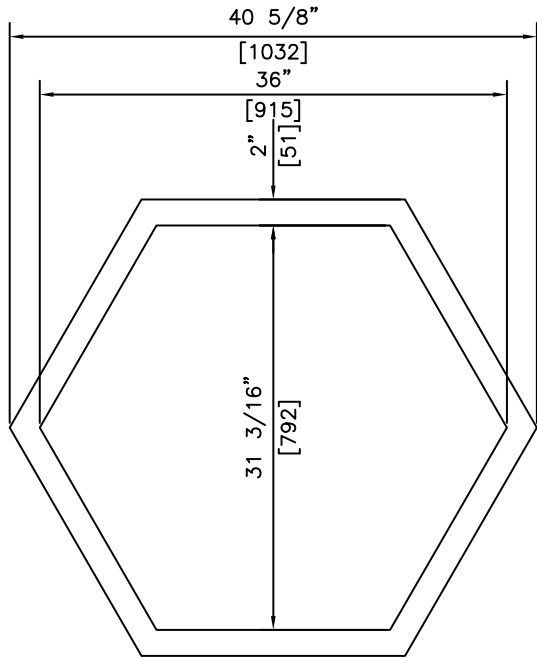
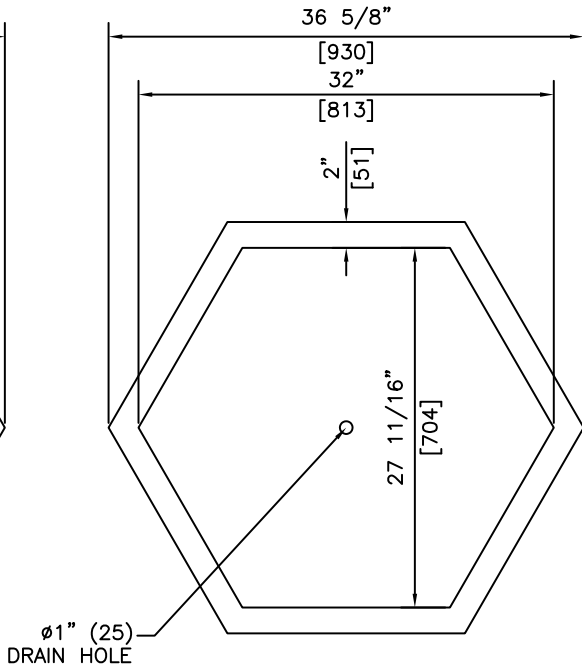


ISOMETRIC

NOTE:
 2 - $\phi 1/2"$ (13) INSERTS ARE LOCATED
 ON INSIDE OF FLOWER POT FOR LIFTING



TOP VIEW



BOTTOM VIEW

NOTES:
 1) 27.6MPa @ 28 DAYS

REVISED: MAR 22 2005



KON KAST
 products (2005) Ltd.
 "Committed To Quality And Service"

3440 UNIVERSITY WAY
 KELOWNA B.C.
 V1V 1V9
 PH: (250)765-1423
 FX: (250)765-0820

BY: PKR
 DATE: MAR 25 05
 SCALE: NTS

**LARGE HEXAGON
 FLOWER
 POT**

ITEM NO.
1725E