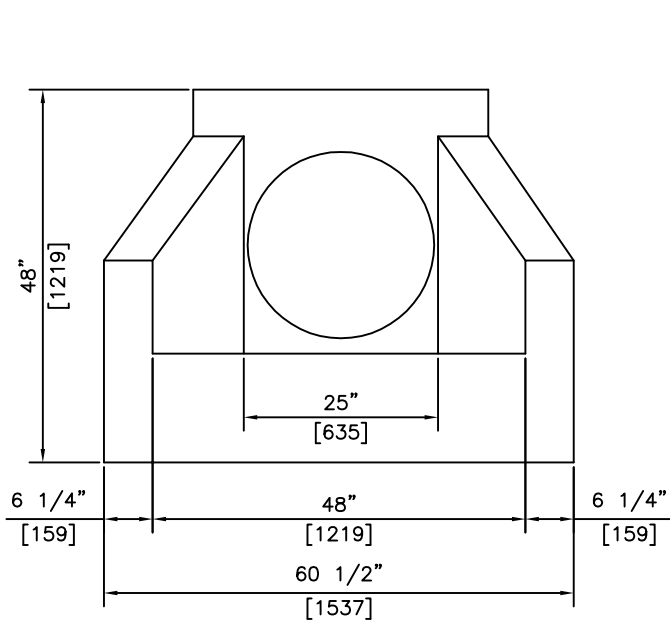
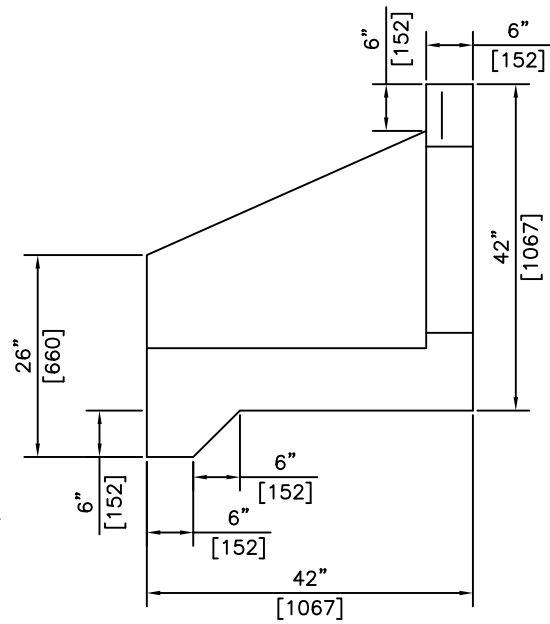


ISOMETRIC



ELEVATION




ELEVATION

NOTES:

1) 27.6MPa @ 28 DAYS

REVISED: APR 2 2014

 <p>KON KAST products (2005) Ltd. "Committed To Quality And Service"</p>	<p>1313 INNOVATION DR KELOWNA B.C. V1V 3B3 PH: (250)765-1423 FX: (250)765-0820</p>	<p>BY: PKR DATE: MAR 16 05 SCALE: NTS</p>	<p>HEADWALL STRUCTURE "SMALL"</p>	<p>DRAWING 1490</p>