
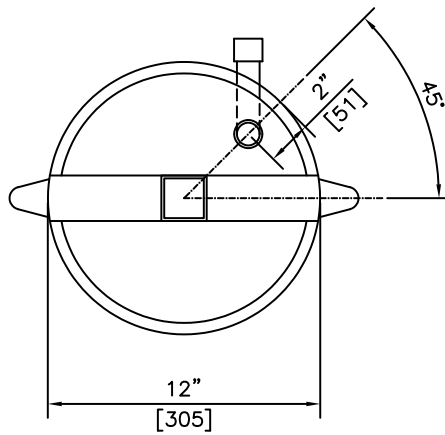


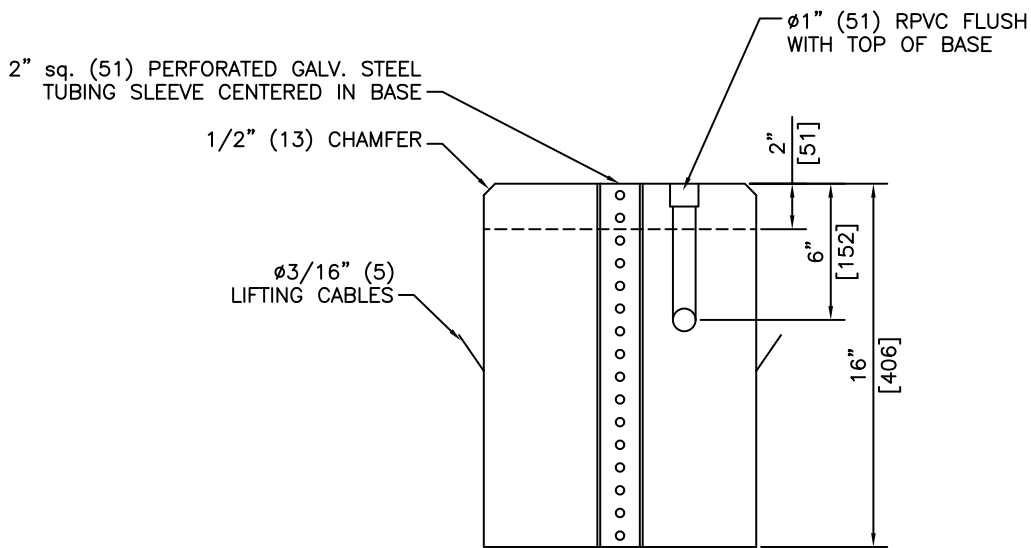
NOTES:
1) 27.6 MPa @ 28 DAYS

REVISED: FEB 21 2006

 <p>KON KAST products (2005) Ltd. "Committed To Quality And Service"</p>	<p>3440 UNIVERSITY WAY KELOWNA B.C. V1V 1V9 PH: (250)765-1423 FX: (250)765-0820</p>	<p>BY: PKR DATE: FEB 24 05 SCALE: NTS</p>	<p>SMALL CONCRETE VAULT 1020mm x 1020mm (40 1/8" x 40 1/8")</p>	<p>ITEM NO. 926</p>
--	---	---	--	--------------------------------



PLAN



SECTION

NOTES:

1) 30 MPa @ 28 DAYS

REVISED: FEB 25 2005



KON KAST
products (2005) Ltd.
"Committed To Quality And Service"

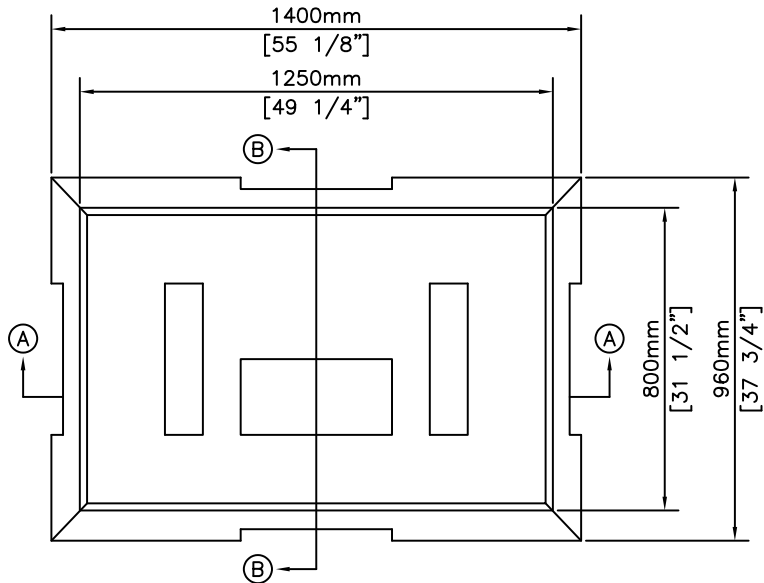
3440 UNIVERSITY WAY
KELOWNA B.C.
V1V 1V9
PH: (250)765-1423
FX: (250)765-0820

BY: PKR
DATE: FEB 25 05
SCALE: NTS

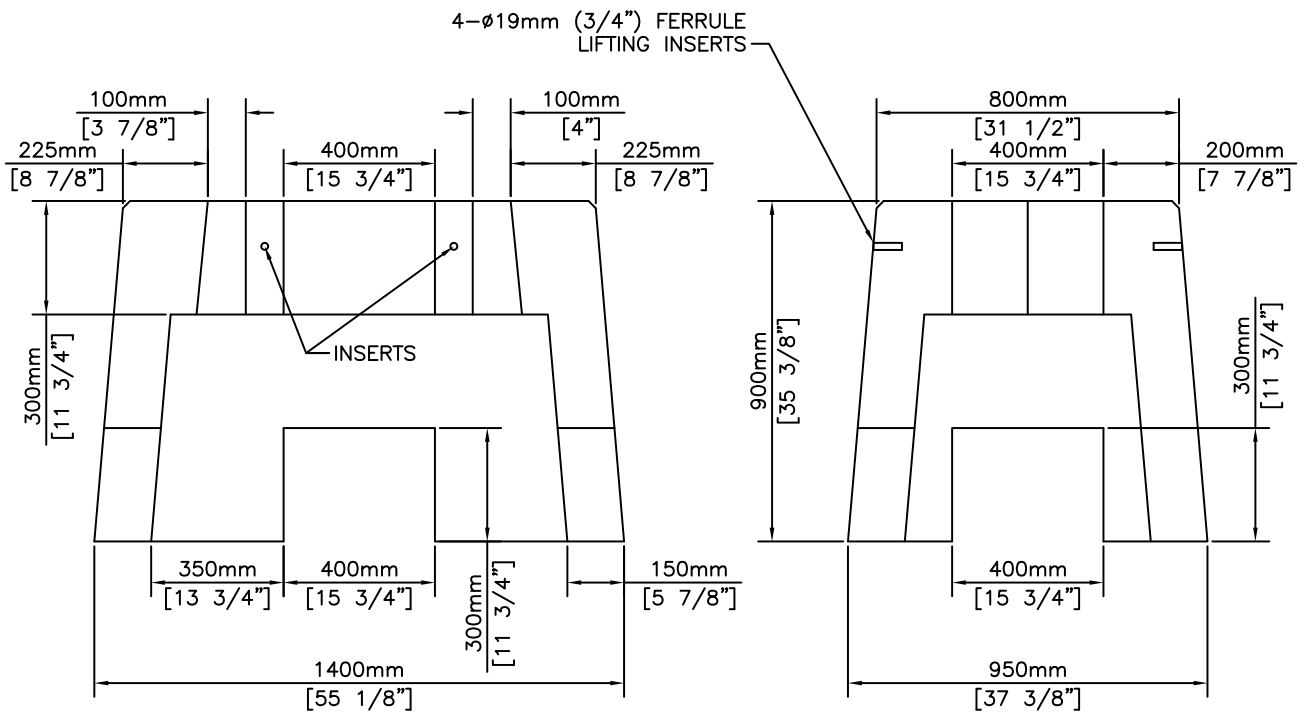
**POST MOUNTED
FLASHER
CONCRETE BASE**

ITEM NO.

930



SECTION A-A



SECTION A-A

SECTION B-B

NOTES:

1) 30 MPa @ 28 DAYS

REVISED: FEB 25 2005



KON KAST

products (2005) Ltd.
"Committed To Quality And Service"

3440 UNIVERSITY WAY
KELOWNA B.C.
V1V 1V9
PH: (250)765-1423
FX: (250)765-0820

BY: PKR

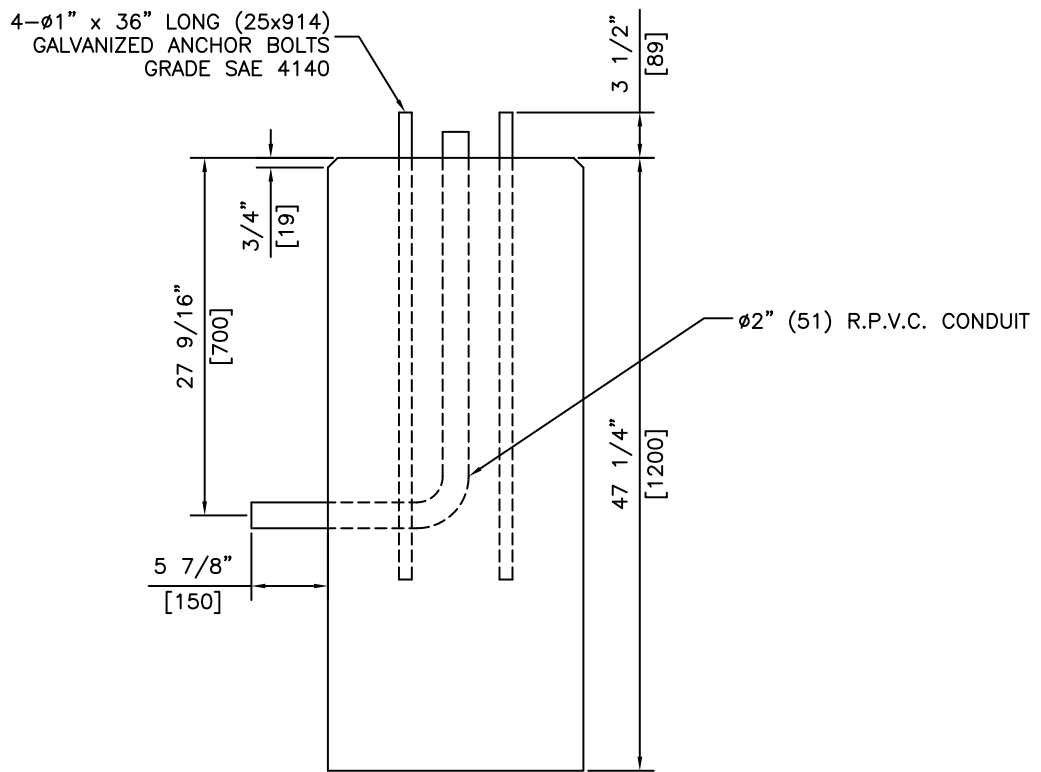
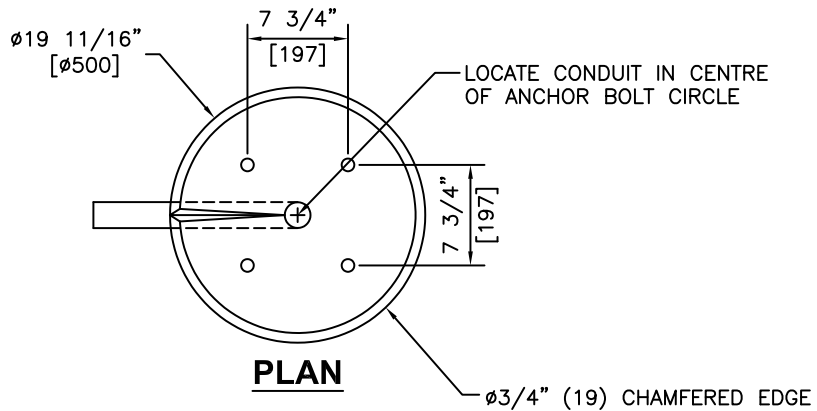
DATE: FEB 25 05

SCALE: NTS

**LIGHT
CONTROL
PEDESTAL**

ITEM NO.

933



SECTION

NOTES:

1) 30 MPa @ 28 DAYS

REVISED: FEB 25 2005



KON KAST

products (2005) Ltd.
 "Committed To Quality And Service"

3440 UNIVERSITY WAY
 KELOWNA B.C.
 V1V 1V9
 PH: (250)765-1423
 FX: (250)765-0820

BY: PKR

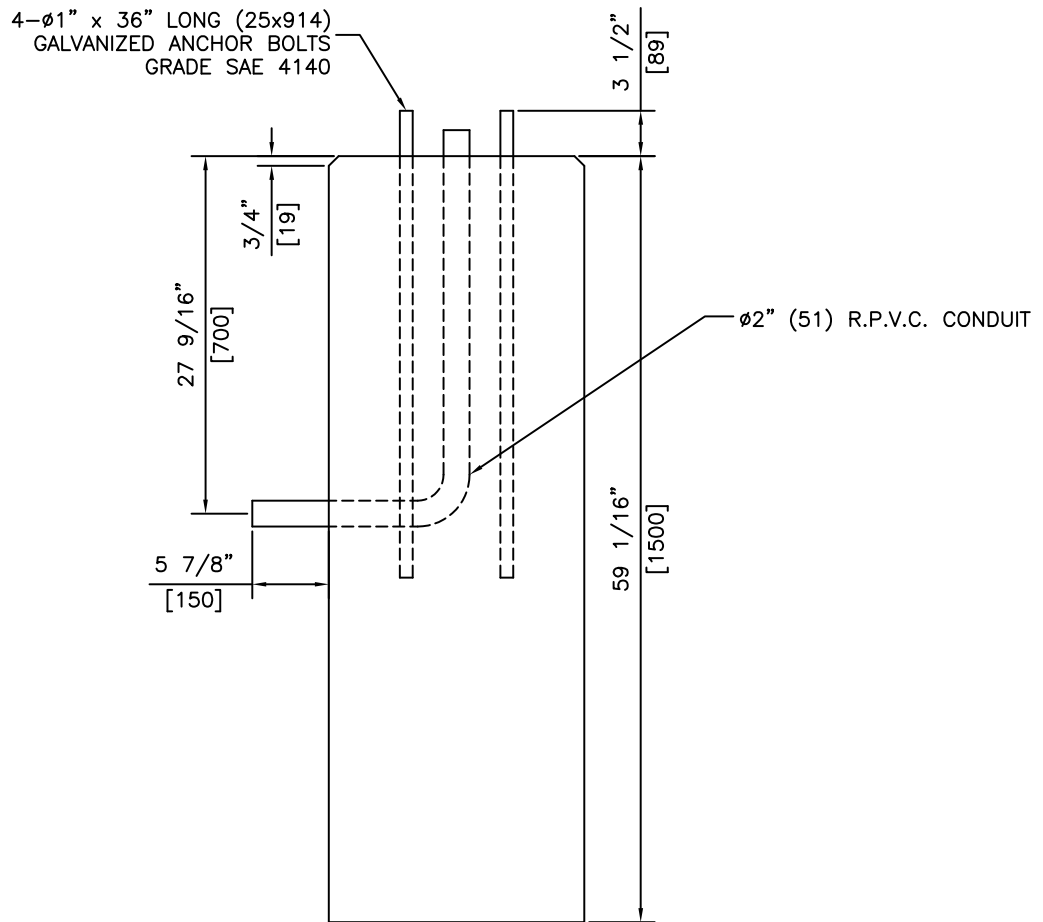
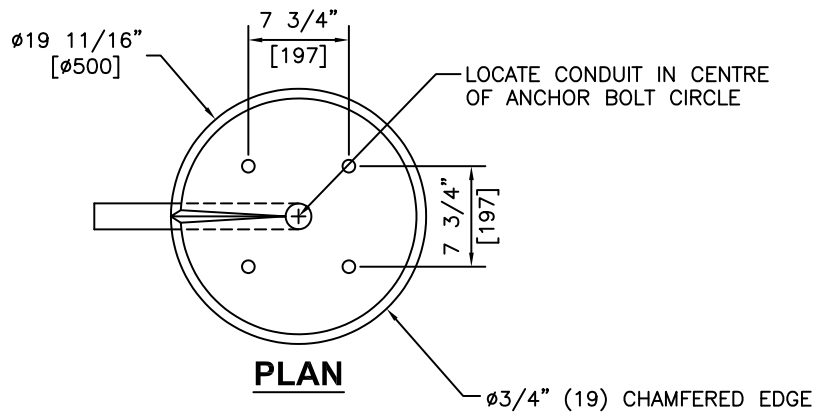
DATE: FEB 25 05

SCALE: NTS

TYPE 'A'
LIGHT STANDARD
BASE

ITEM NO.

934



SECTION

NOTES:

1) 30 MPa @ 28 DAYS

REVISED: FEB 25 2005



KON KAST
 products (2005) Ltd.
 "Committed To Quality And Service"

3440 UNIVERSITY WAY
 KELOWNA B.C.
 V1V 1V9
 PH: (250)765-1423
 FX: (250)765-0820

BY: PKR

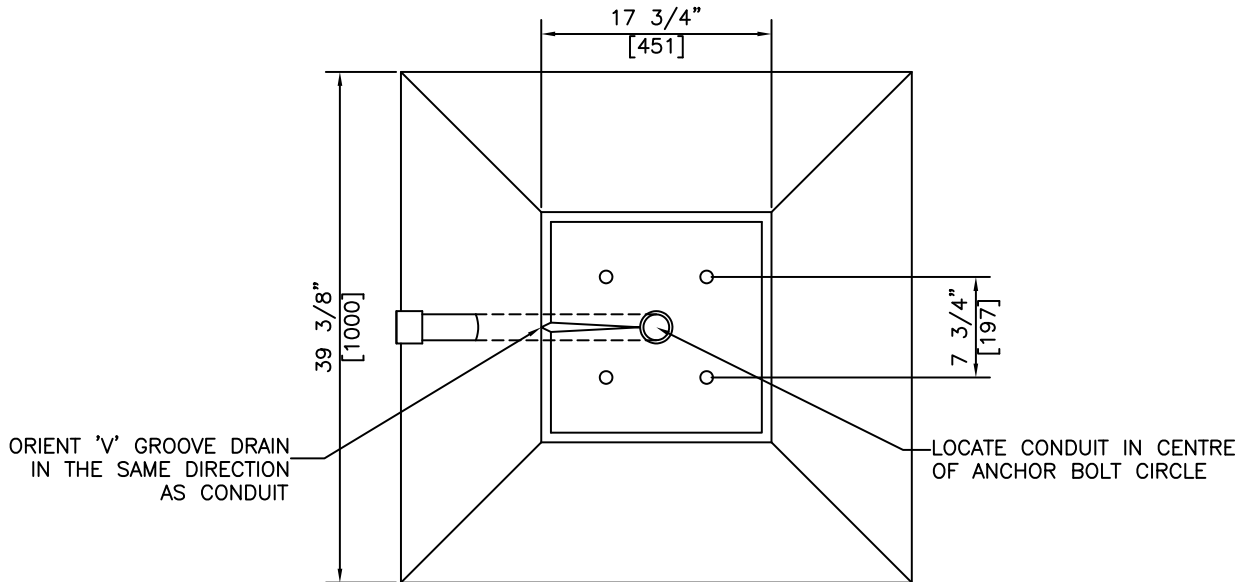
DATE: FEB 25 05

SCALE: NTS

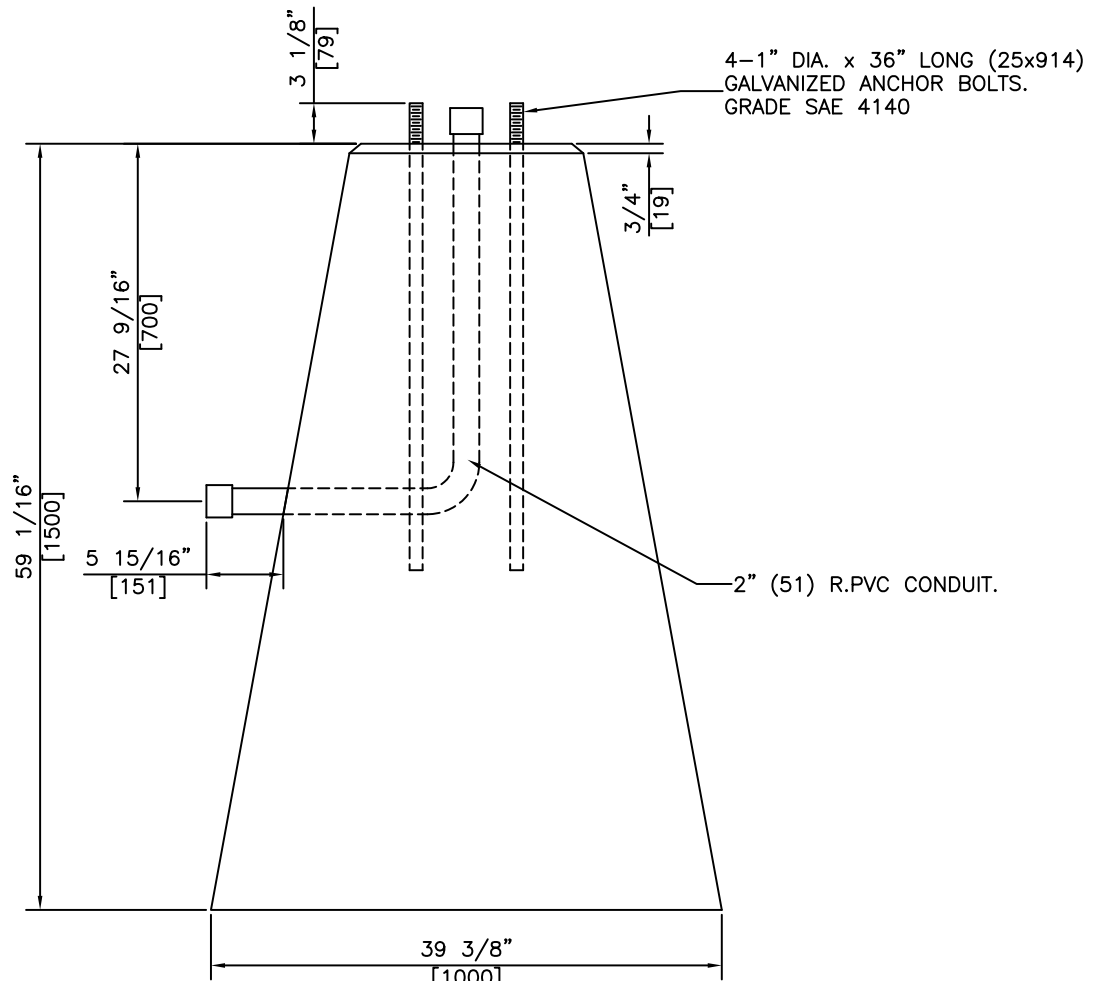
TYPE 'B'
LIGHT STANDARD
BASE

ITEM NO.

934B



PLAN



ELEVATION

NOTES:
1) 30 MPa @ 28 DAYS

REVISED: FEB 25 2005



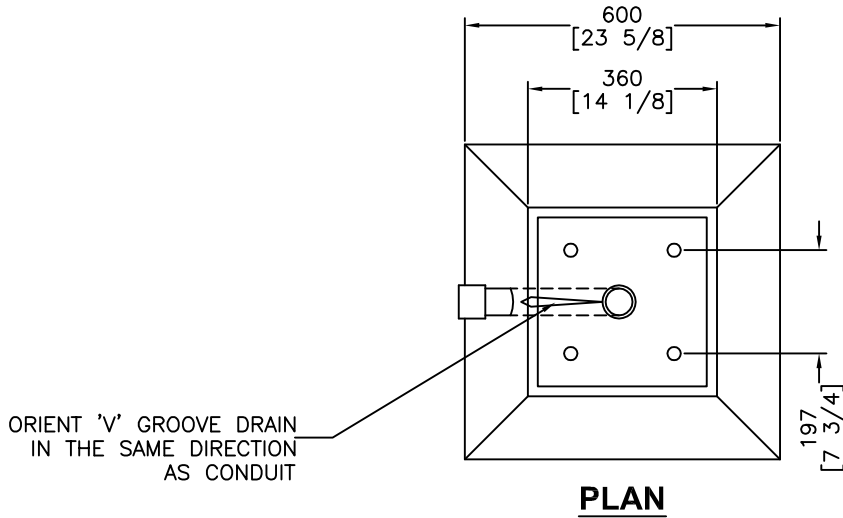
KON KAST
products (2005) Ltd.
"Committed To Quality And Service"

3440 UNIVERSITY WAY
KELOWNA B.C.
V1V 1V9
PH: (250)765-1423
FX: (250)765-0820

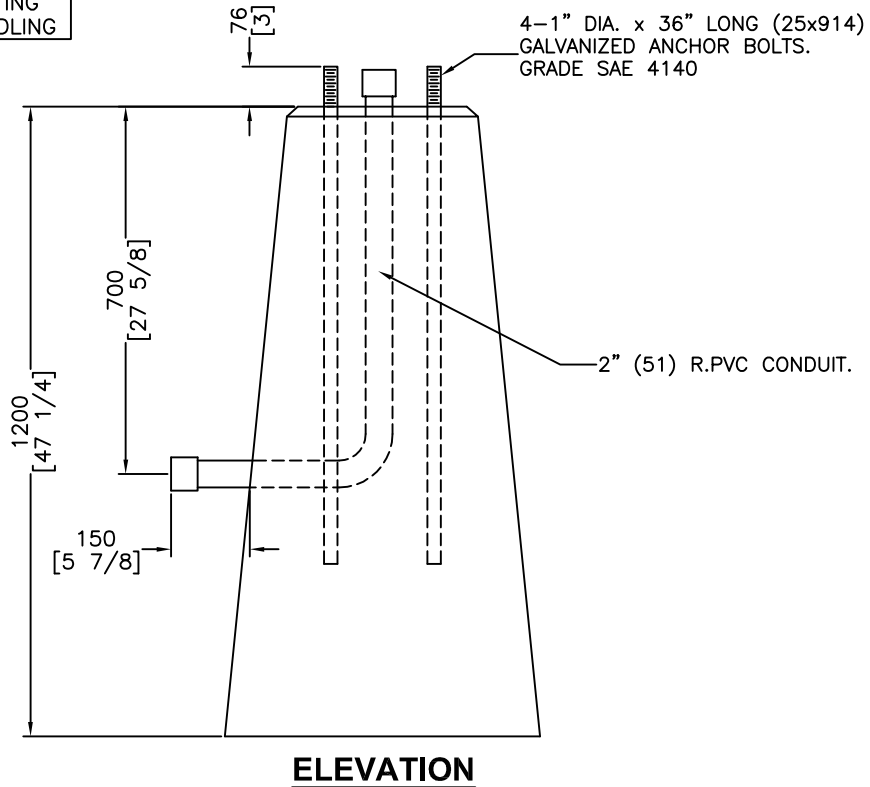
BY: PKR
DATE: FEB 25 05
SCALE: NTS

TYPE 'C'
LIGHT STANDARD
BASE

ITEM NO.
935



NOTE:
c/w 2-3 3/8" LIFTING
ANCHORS FOR HANDLING



30 MPa @ 28 DAYS

WEIGHT: 706 kg

REVISED: APR 20 2017



KON KAST
products (2005) ltd.

ph: (250) 765 1423
fx: (250) 765 0820
www.konkast.com

"Committed To Quality And Service"

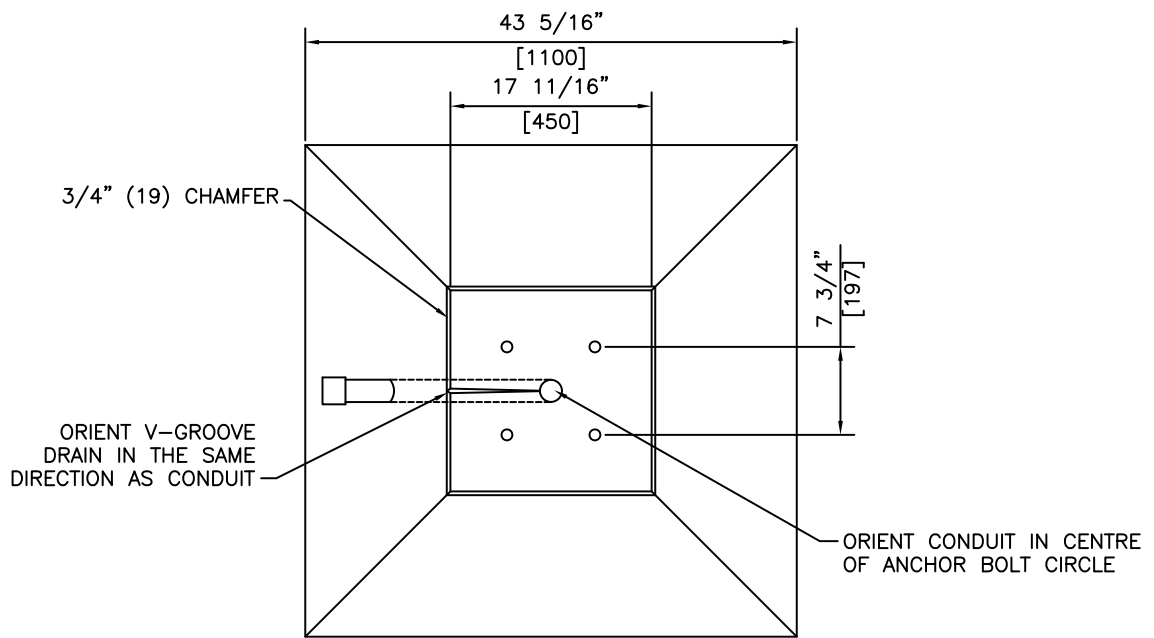
DESCRIPTION

**TYPE 'C2'
LIGHT STANDARD
BASE**

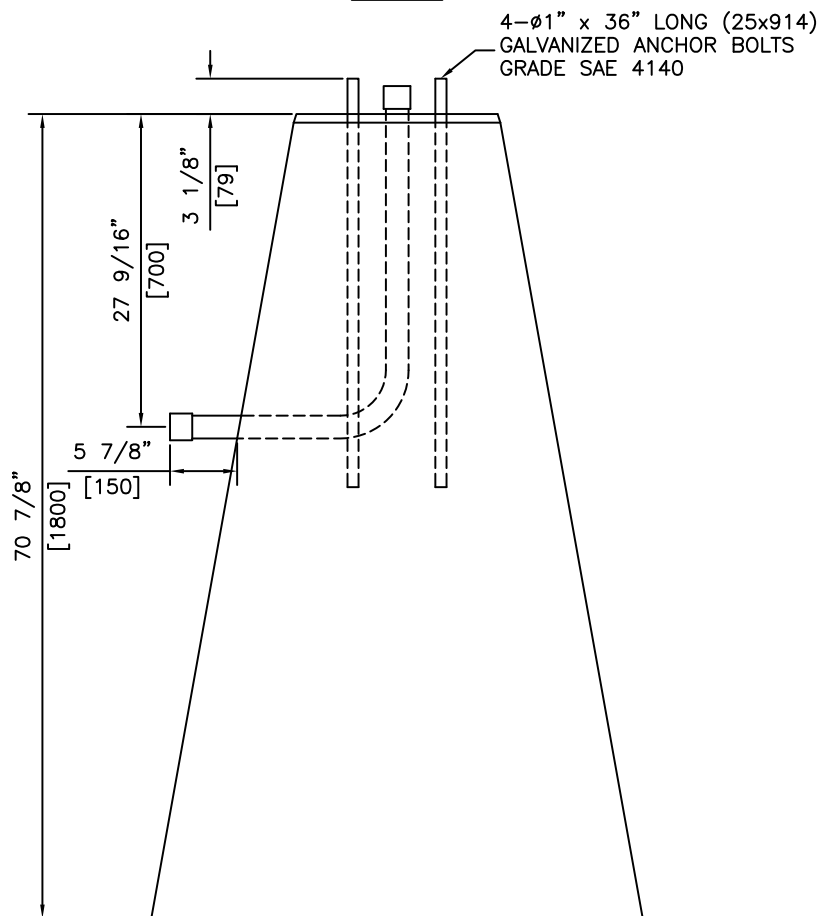
DRAWN BY: PKR
DATE: MAY 4 10
SCALE: NTS

DRAWING:

935-2



PLAN



SECTION

NOTES:

1) 30 MPa @ 28 DAYS

REVISED: MAR 28 2006



KON KAST

products (2005) Ltd.
"Committed To Quality And Service"

3440 UNIVERSITY WAY
KELOWNA B.C.
V1V 1V9
PH: (250)765-1423
FX: (250)765-0820

BY: PKR

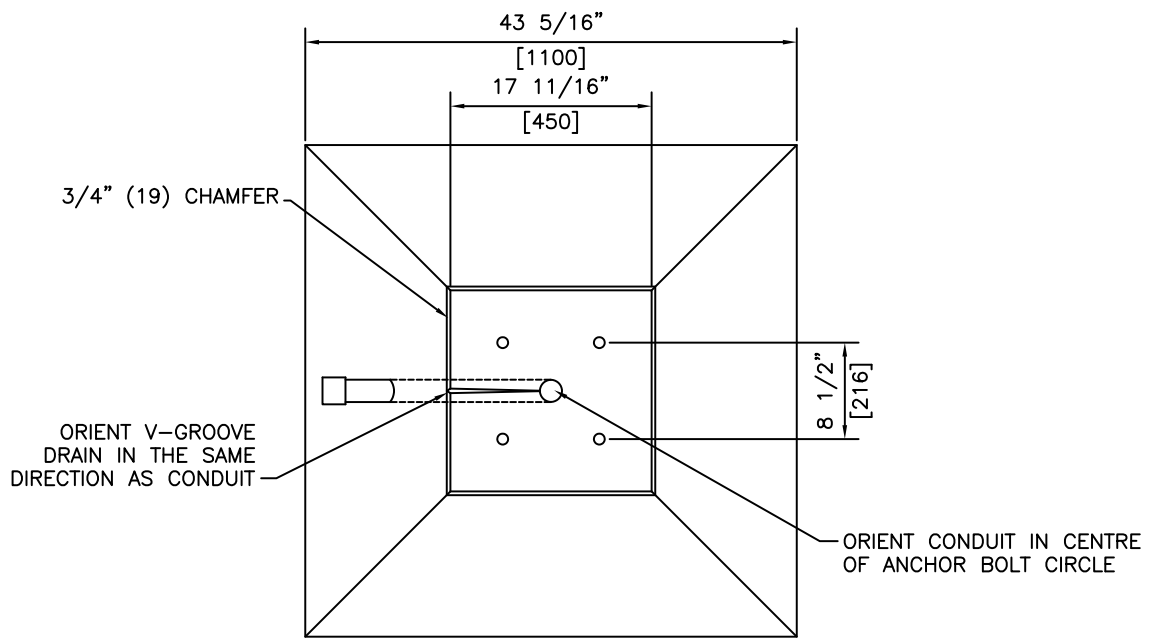
DATE: FEB 25 05

SCALE: NTS

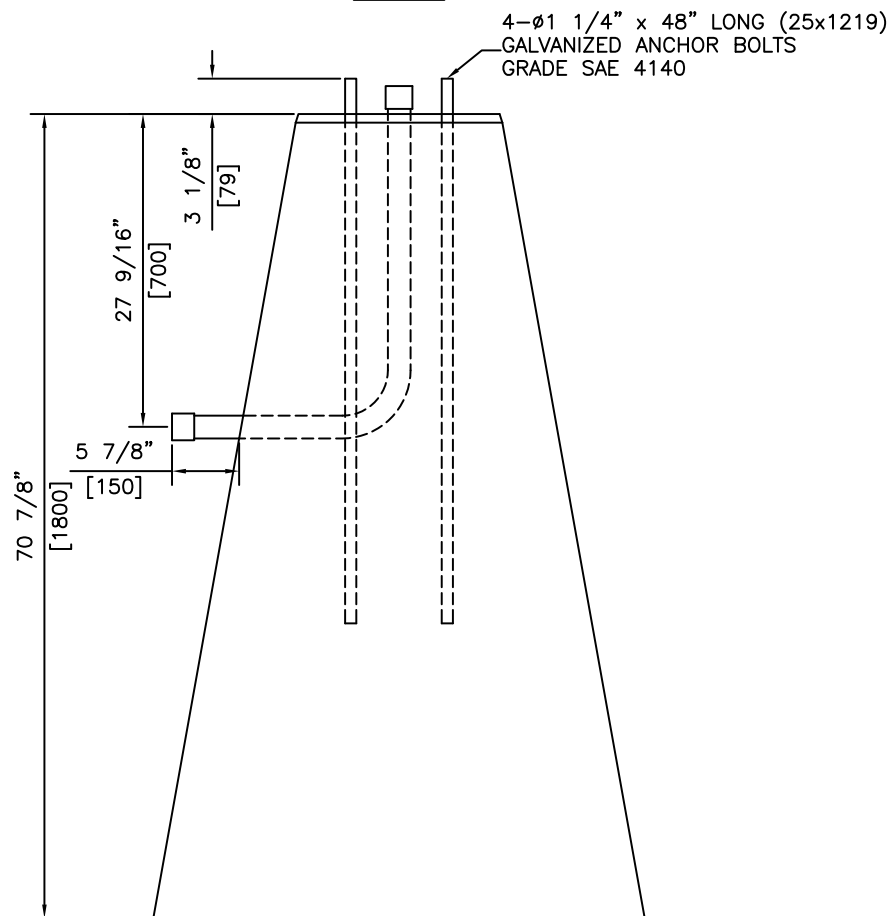
**TYPE 'E2'
LIGHT STANDARD
BASE**

ITEM NO.

936



PLAN



SECTION

NOTES:

1) 30 MPa @ 28 DAYS

REVISED: MAR 28 2006



KON KAST

products (2005) Ltd.
"Committed To Quality And Service"

3440 UNIVERSITY WAY
KELOWNA B.C.
V1V 1V9
PH: (250)765-1423
FX: (250)765-0820

BY: PKR

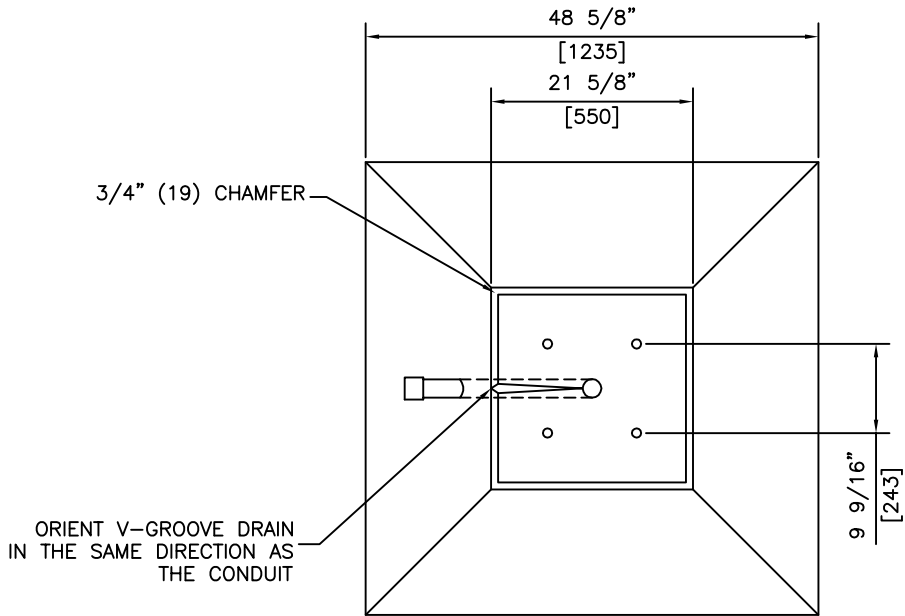
DATE: FEB 25 05

SCALE: NTS

**TYPE 'D2'
LIGHT STANDARD
BASE**

ITEM NO.

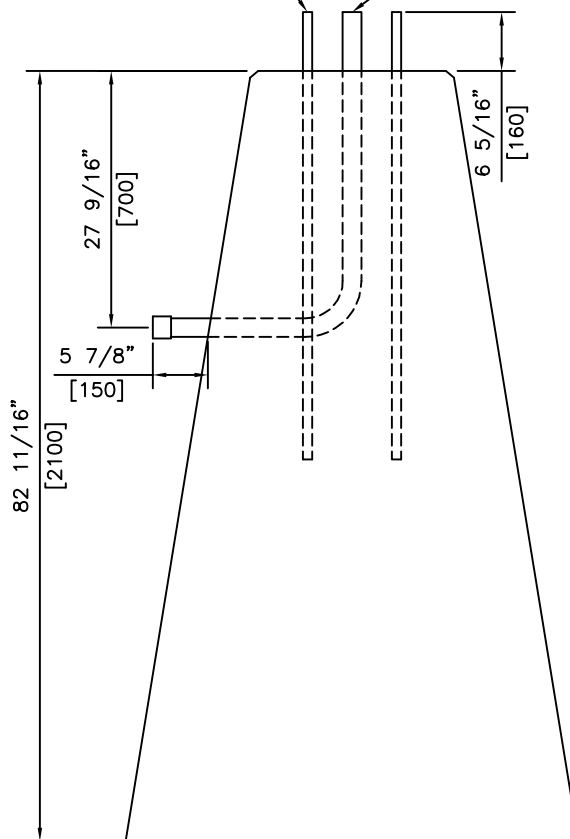
936D



NOTE:
c/w 6-6 3/4" LIFTING ANCHORS FOR HANDLING

PLAN


4 - ϕ 1" x 48" LONG (25x1219) GALVANIZED GRADE 150 DYWIDAG BOLTS
 ϕ 2" (51) R.P.V.C. CONDUIT

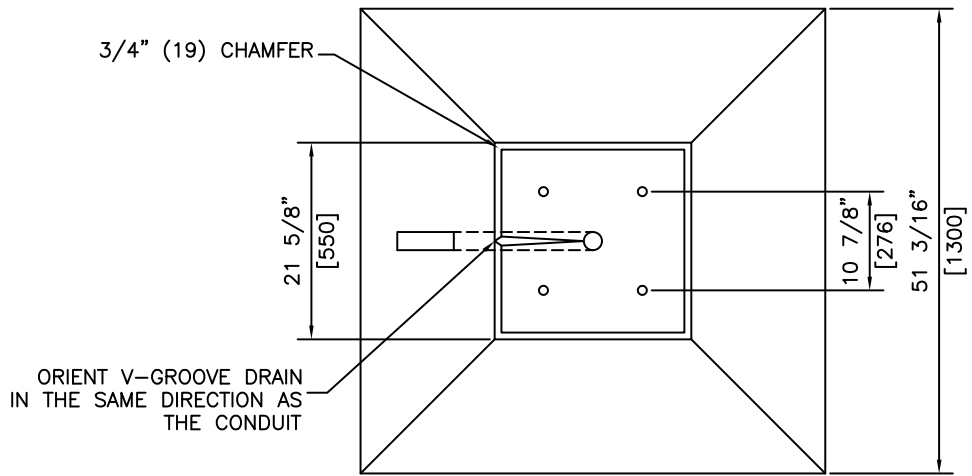


SECTION

NOTES:
1) 30 MPa @ 28 DAYS

REVISED: MAR 15 2010

 <p>KON KAST products (2005) Ltd. "Committed To Quality And Service"</p>	<p>3440 UNIVERSITY WAY KELOWNA B.C. V1V 1V9 PH: (250)765-1423 FX: (250)765-0820</p>	BY: PKR	<p>TYPE 'F2' LIGHT STANDARD BASE</p>	ITEM NO.
		DATE: FEB 28 05		<p>937</p>
		SCALE: NTS		



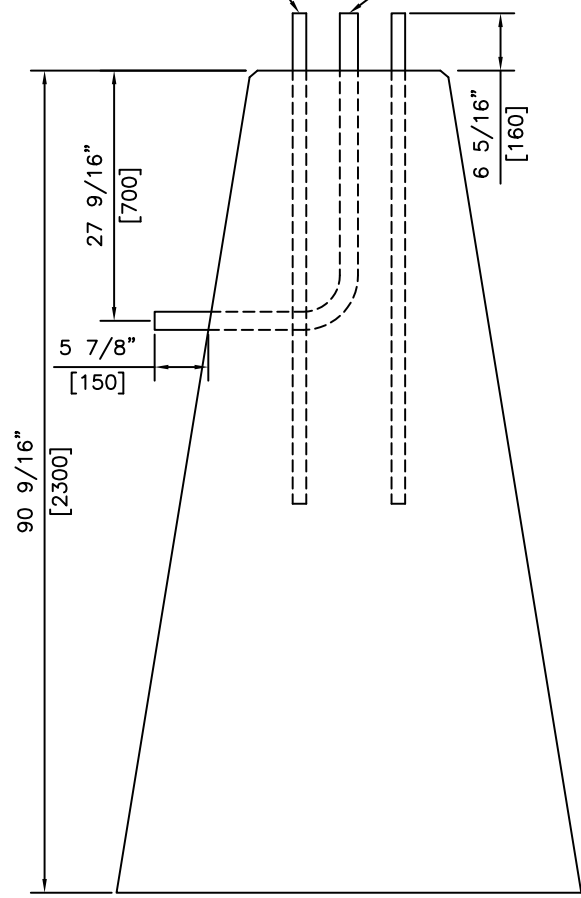
ORIENT V-GROOVE DRAIN
IN THE SAME DIRECTION AS
THE CONDUIT

PLAN

Ø5/16" G.A.C. LIFTING CABLES
ARE PROVIDED FOR HANDLING

4 - Ø1 1/2" x 54" LONG (38x1372)
GALVANIZED GRADE 4140 ANCHOR BOLTS


Ø2" (51) R.P.V.C. CONDUIT

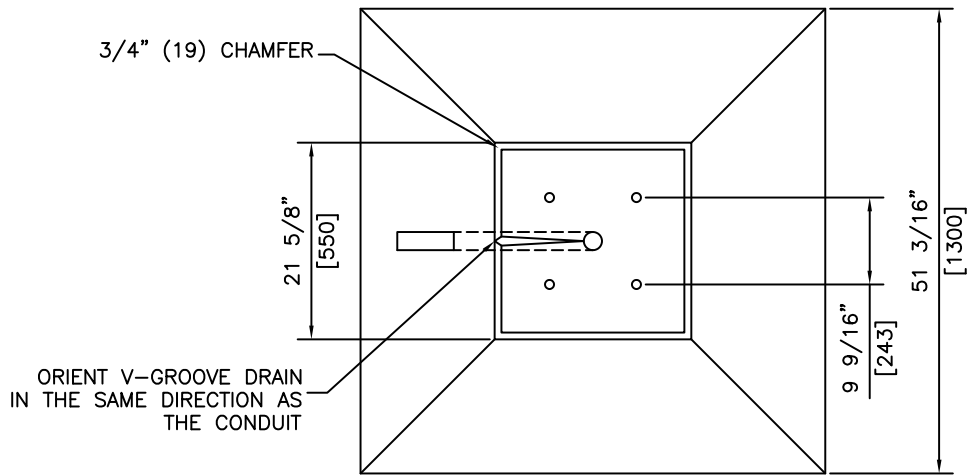


SECTION

NOTES:
1) 30 MPa @ 28 DAYS

REVISED: FEB 28 2005

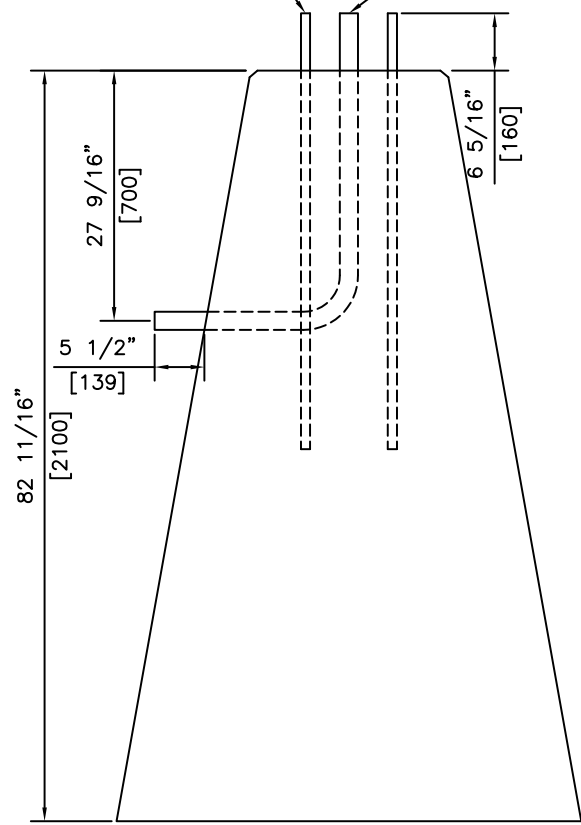
 <p>KON KAST products (2005) Ltd. "Committed To Quality And Service"</p>	<p>3440 UNIVERSITY WAY KELOWNA B.C. V1V 1V9 PH: (250)765-1423 FX: (250)765-0820</p>	BY: PKR	<p>TYPE 'L2' LIGHT STANDARD BASE</p>	ITEM NO.
		DATE: FEB 28 05		<p>937L</p>
		SCALE: NTS		



PLAN

4 - $\varnothing 1"$ x 48" LONG (25x1219) GALVANIZED GRADE 150 DYWIDAG BOLTS

$\varnothing 2"$ (51) R.P.V.C. CONDUIT



SECTION

NOTES:

1) 30 MPa @ 28 DAYS

REVISED: FEB 28 2005

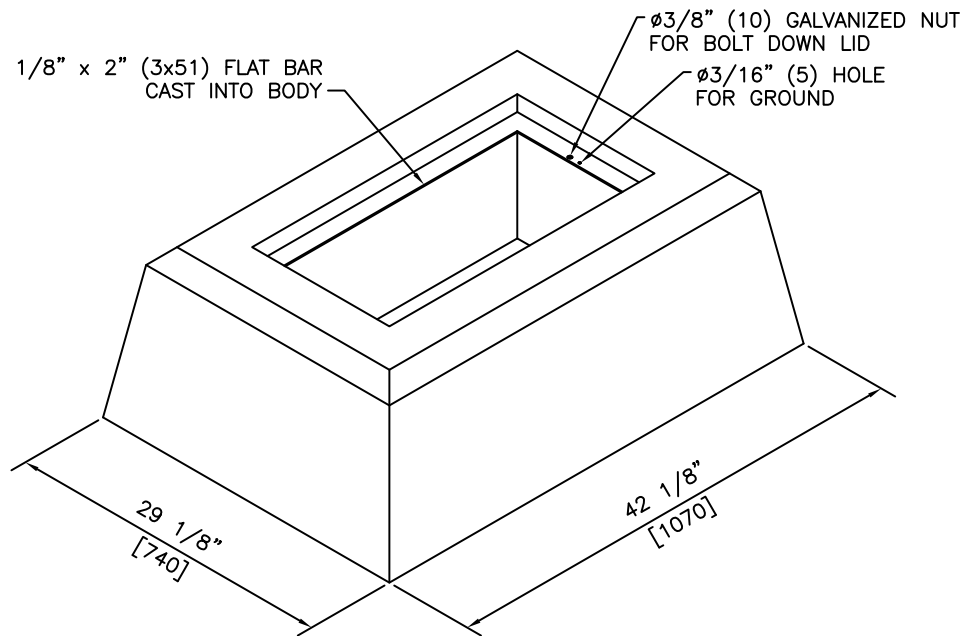
KON KAST
products (2005) Ltd.
"Committed To Quality And Service"

3440 UNIVERSITY WAY
KELOWNA B.C.
V1V 1V9
PH: (250)765-1423
FX: (250)765-0820

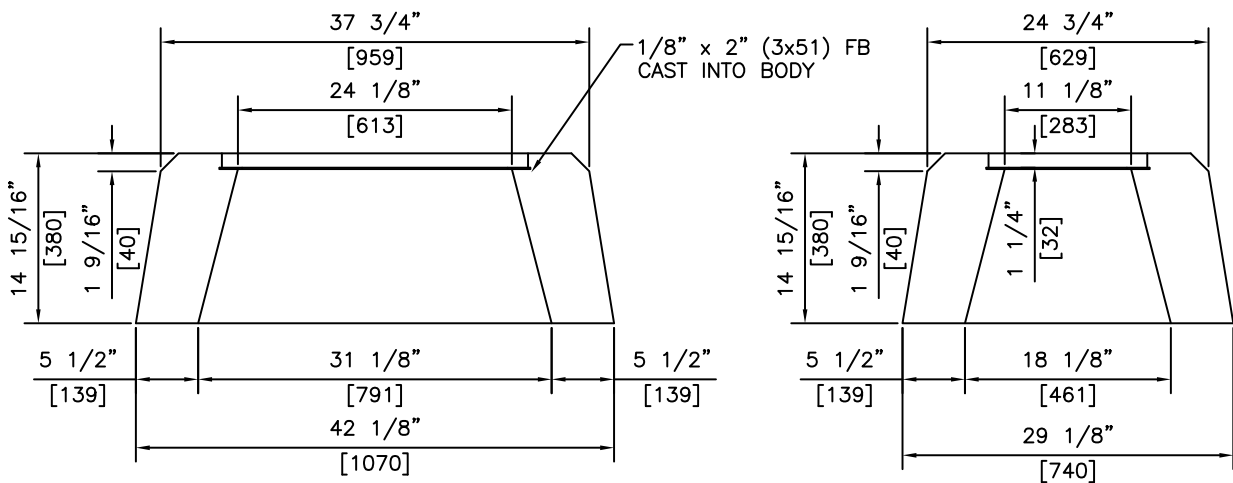
BY: PKR
DATE: FEB 28 05
SCALE: NTS

TYPE 'S2'
LIGHT STANDARD
BASE

ITEM NO.
937S



ISOMETRIC



SECTIONS

ITEM No.	OVERALL HEIGHT
938	8" (203)
939	12" (305)
940	AS SHOWN

NOTES:

- 1) 30 MPa @ 28 DAYS
- 2) DESIGN LOAD = MS 200
- 3) LIFT USING MOT INTERIOR LIFTING APPARATUS

REVISED: FEB 28 2005

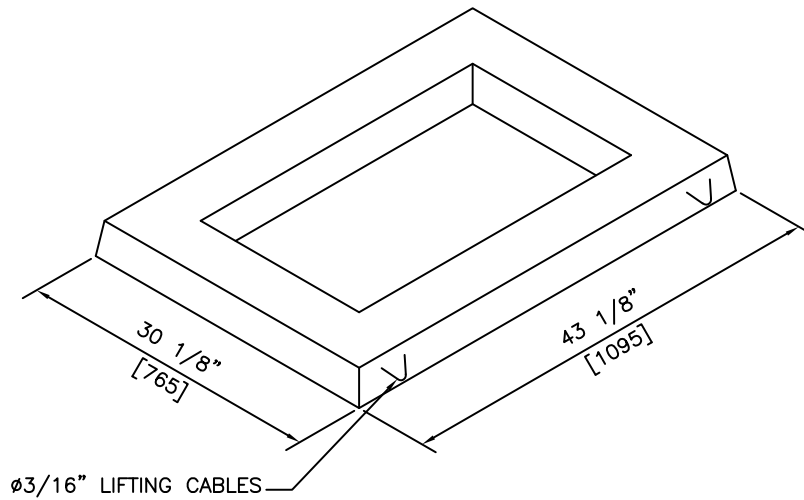


3440 UNIVERSITY WAY
 KELOWNA B.C.
 V1V 1V9
 PH: (250)765-1423
 FX: (250)765-0820

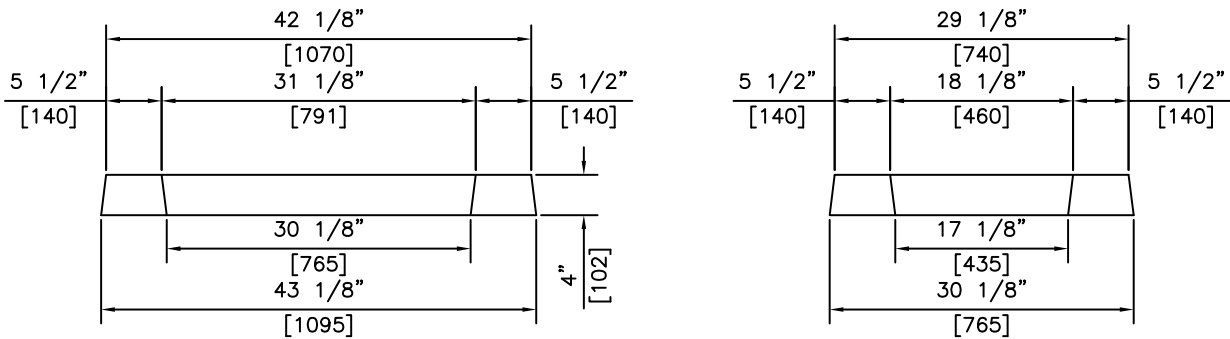
BY: PKR
 DATE: FEB 28 05
 SCALE: NTS

MOT ELECTRICAL
JUNCTION BOX
925 SERIES

ITEM NO.
940



ISOMETRIC



SECTIONS

NOTES:

- 1) 30 MPa @ 28 DAYS
- 2) DESIGN LOAD = MS 200
- 3) LIFT USING MOT INTERIOR LIFTING APPARATUS

REVISED: FEB 28 2005



KON KAST

products (2005) Ltd.
"Committed To Quality And Service"

3440 UNIVERSITY WAY
KELOWNA B.C.
V1V 1V9
PH: (250)765-1423
FX: (250)765-0820

BY: PKR

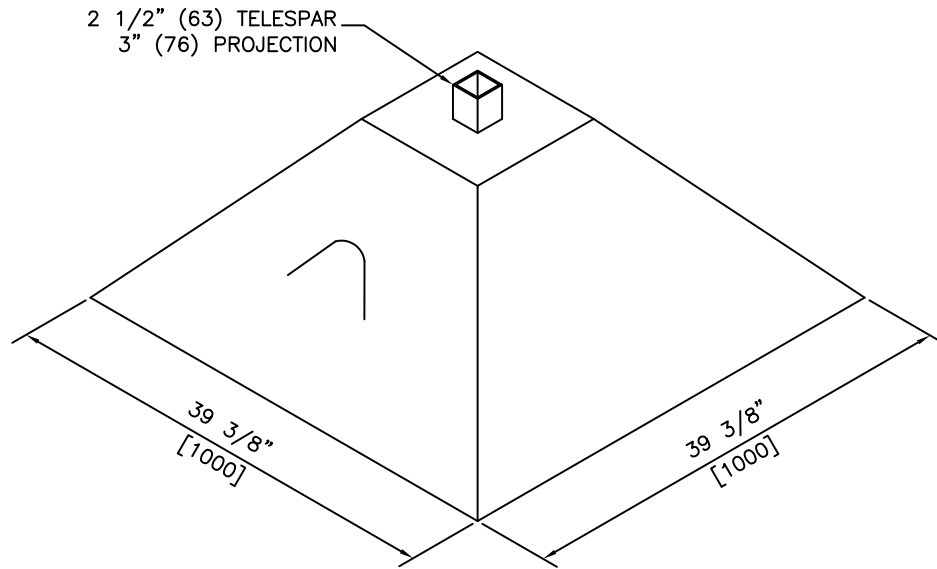
DATE: FEB 28 05

SCALE: NTS

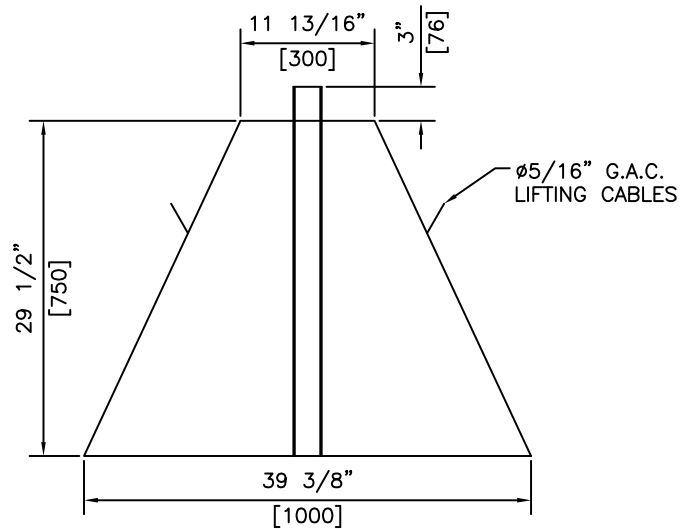
**MOT ELECTRICAL
JUNCTION BOX RISER
925 SERIES**

ITEM NO.

940R



ISOMETRIC




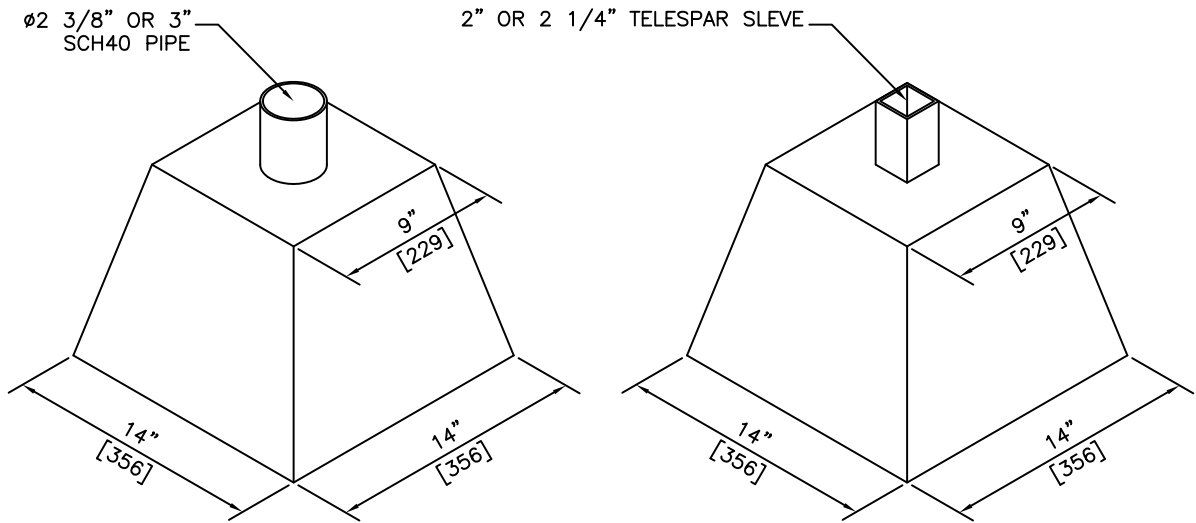
SECTION

NOTES:

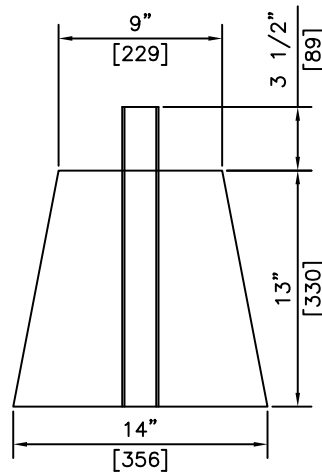
1) 30 MPa @ 28 DAYS

REVISED: MAR 1 2005

 <p>KON KAST products (2005) Ltd. "Committed To Quality And Service"</p>	<p>3440 UNIVERSITY WAY KELOWNA B.C. V1V 1V9 PH: (250)765-1423 FX: (250)765-0820</p>	BY: PKR	<p>ONE METRE CONCRETE SIGN PEDESTAL</p>	ITEM NO.
		DATE: MAR 1 05		<p>942</p>
		SCALE: NTS		



ISOMETRIC




SECTION

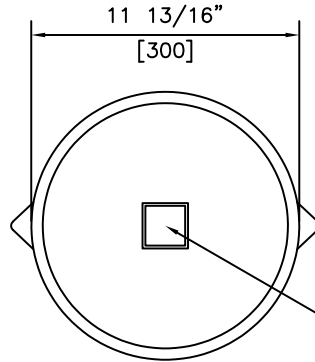
NOTES:

1) 30 MPa @ 28 DAYS

REVISED: MAR 1 2005

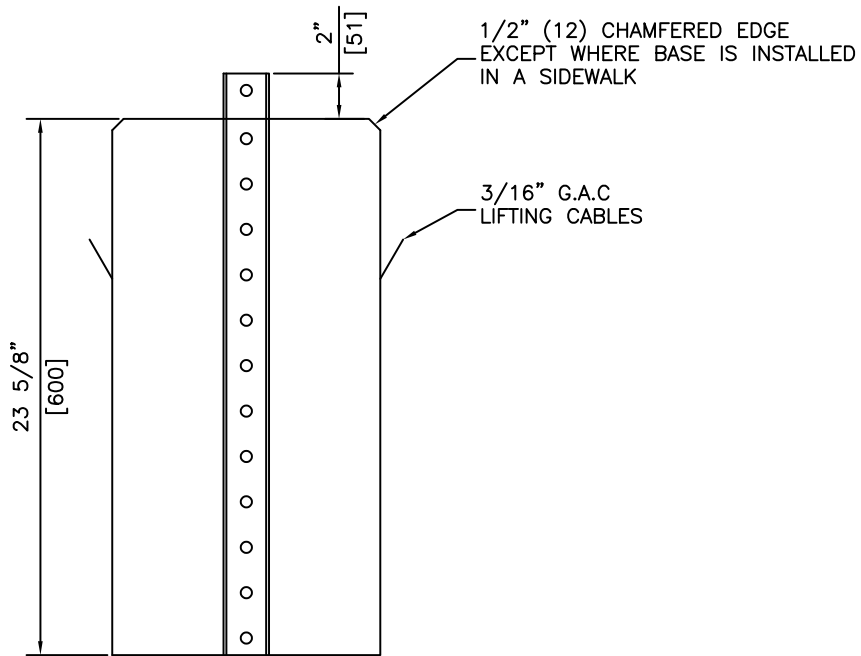
 <p>KON KAST products (2005) Ltd. "Committed To Quality And Service"</p>	<p>3440 UNIVERSITY WAY KELOWNA B.C. V1V 1V9 PH: (250)765-1423 FX: (250)765-0820</p>	BY: PKR	<p>TEMPORARY SIGN PEDESTAL</p>	ITEM NO.
		DATE: MAR 1 05		<p>943</p>
		SCALE: NTS		

SLEEVE SCHEDULE		
POST O.D.	INNER SLEEVE	SLEEVE SIZE IN CONCRETE O.D.
1 1/2"	YES	2"
1 3/4"	YES	2 1/4"
2"	YES	2 1/2"
2 1/4"	NO	2 1/2"



PERFORATED 12 GAUGE GALVANIZED SQUARE STEEL TUBING IS CENTRED IN THE BASE

PLAN



1/2" (12) CHAMFERED EDGE EXCEPT WHERE BASE IS INSTALLED IN A SIDEWALK

3/16" G.A.C. LIFTING CABLES

SQUARE STEEL TUBING MAINTAINED THROUGH FOR DRAINAGE

SECTION

NOTES:

1) 30 MPa @ 28 DAYS

REVISED: MAR 1 2005



KON KAST
products (2005) Ltd.
"Committed To Quality And Service"

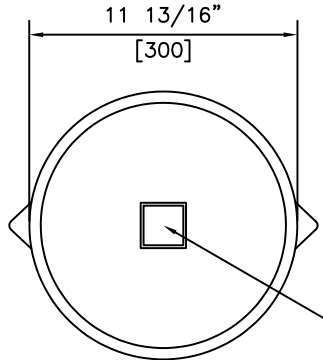
3440 UNIVERSITY WAY
KELOWNA B.C.
V1V 1V9
PH: (250)765-1423
FX: (250)765-0820

BY: PKR
DATE: MAR 1 05
SCALE: NTS

SP635-1.1.35
TYPE 1
SIGN BASE

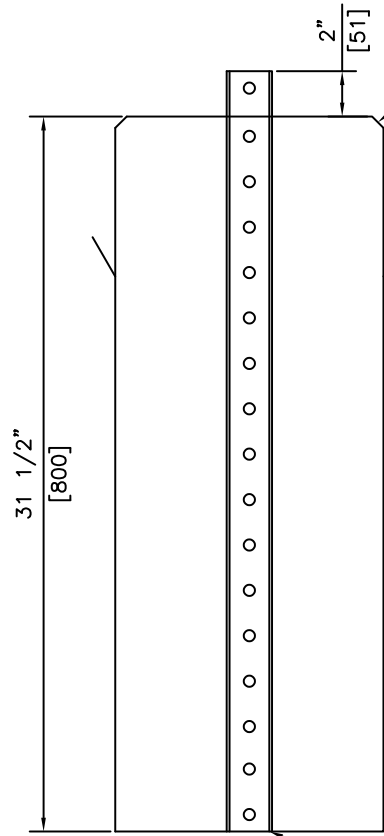
ITEM NO.
944

SLEEVE SCHEDULE		
POST O.D.	INNER SLEEVE	SLEEVE SIZE IN CONCRETE O.D.
1 1/2"	YES	2"
1 3/4"	YES	2 1/4"
2"	YES	2 1/2"
2 1/4"	NO	2 1/2"



PERFORATED 12 GAUGE GALVANIZED SQUARE STEEL TUBING IS CENTRED IN THE BASE

PLAN



1/2" (12) CHAMFERED EDGE EXCEPT WHERE BASE IS INSTALLED IN A SIDEWALK


3/16" G.A.C LIFTING CABLES

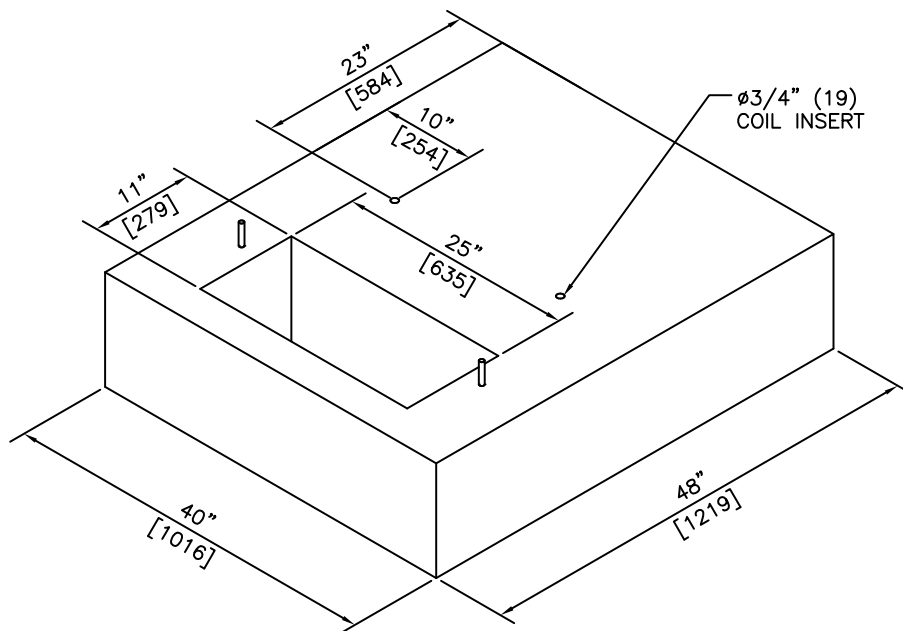
SQUARE STEEL TUBING MAINTAINED THROUGH FOR DRAINAGE

SECTION

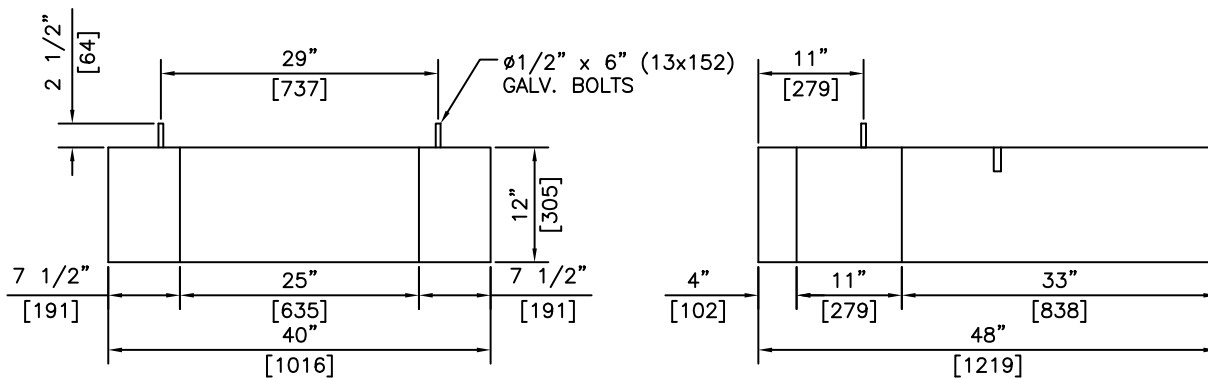
NOTES:
1) 30 MPa @ 28 DAYS

REVISED: MAR 1 2005

 KON KAST products (2005) Ltd. "Committed To Quality And Service"	3440 UNIVERSITY WAY KELOWNA B.C. V1V 1V9 PH: (250)765-1423 FX: (250)765-0820	BY: PKR DATE: MAR 1 05 SCALE: NTS	SP635-1.1.35 TYPE 2 SIGN BASE	ITEM NO. 945
---	--	---	--	------------------------



ISOMETRIC




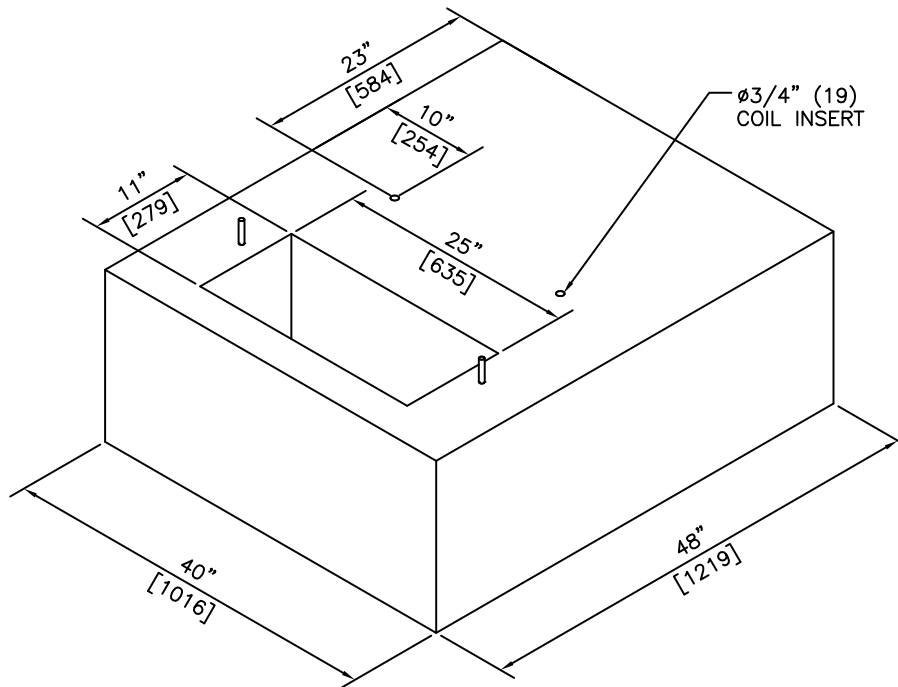
SECTIONS

NOTES:

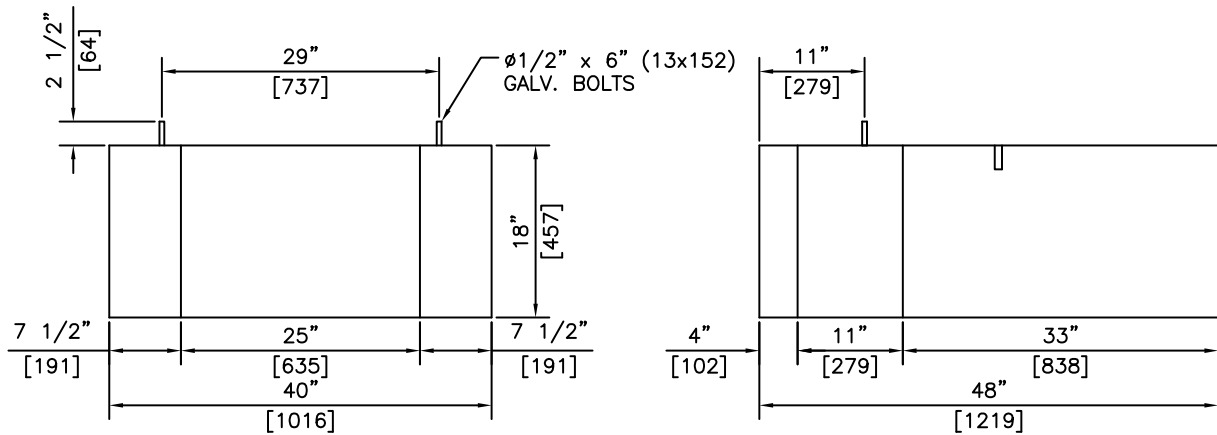
1) 27.6 MPa @ 28 DAYS

REVISED: FEB 15 2005

 <p>KON KAST products (2005) Ltd. "Committed To Quality And Service"</p>	<p>3440 UNIVERSITY WAY KELOWNA B.C. V1V 1V9 PH: (250)765-1423 FX: (250)765-0820</p>	<p>BY: PKR DATE: FEB 15 05 SCALE: NTS</p>	<p>TRANSFORMER PAD L.P.T.</p>	<p>ITEM NO. 1006</p>



ISOMETRIC




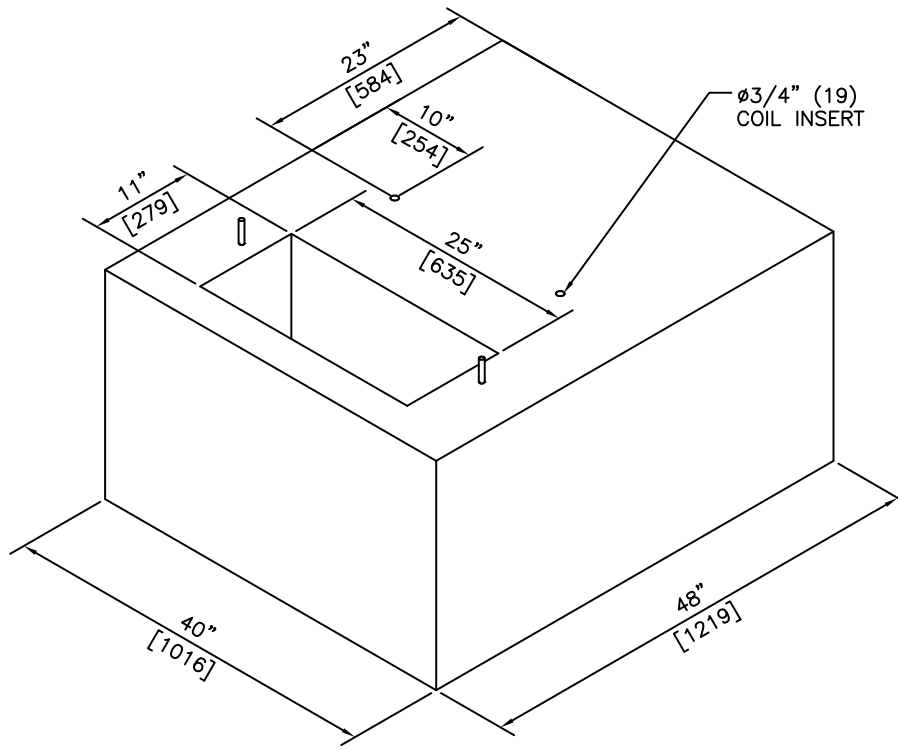
SECTIONS

NOTES:

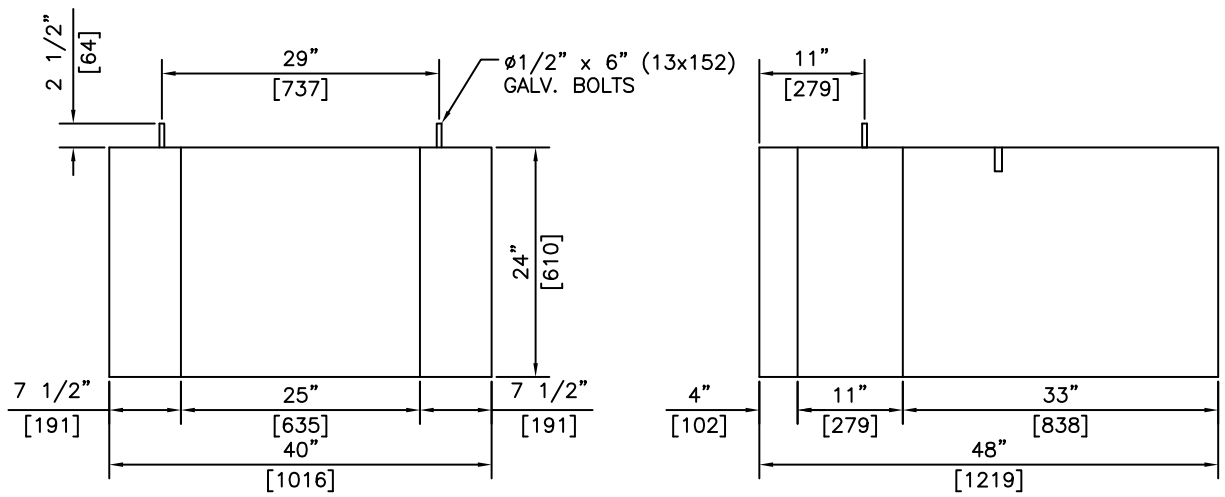
1) 27.6 MPa @ 28 DAYS

REVISED: FEB 15 2005

 <p>KON KAST products (2005) Ltd. "Committed To Quality And Service"</p>	<p>3440 UNIVERSITY WAY KELOWNA B.C. V1V 1V9 PH: (250)765-1423 FX: (250)765-0820</p>	BY: PKR	<p>TRANSFORMER PAD L.P.T.</p>	ITEM NO.
		DATE: FEB 15 05		<p>1007</p>
		SCALE: NTS		




ISOMETRIC

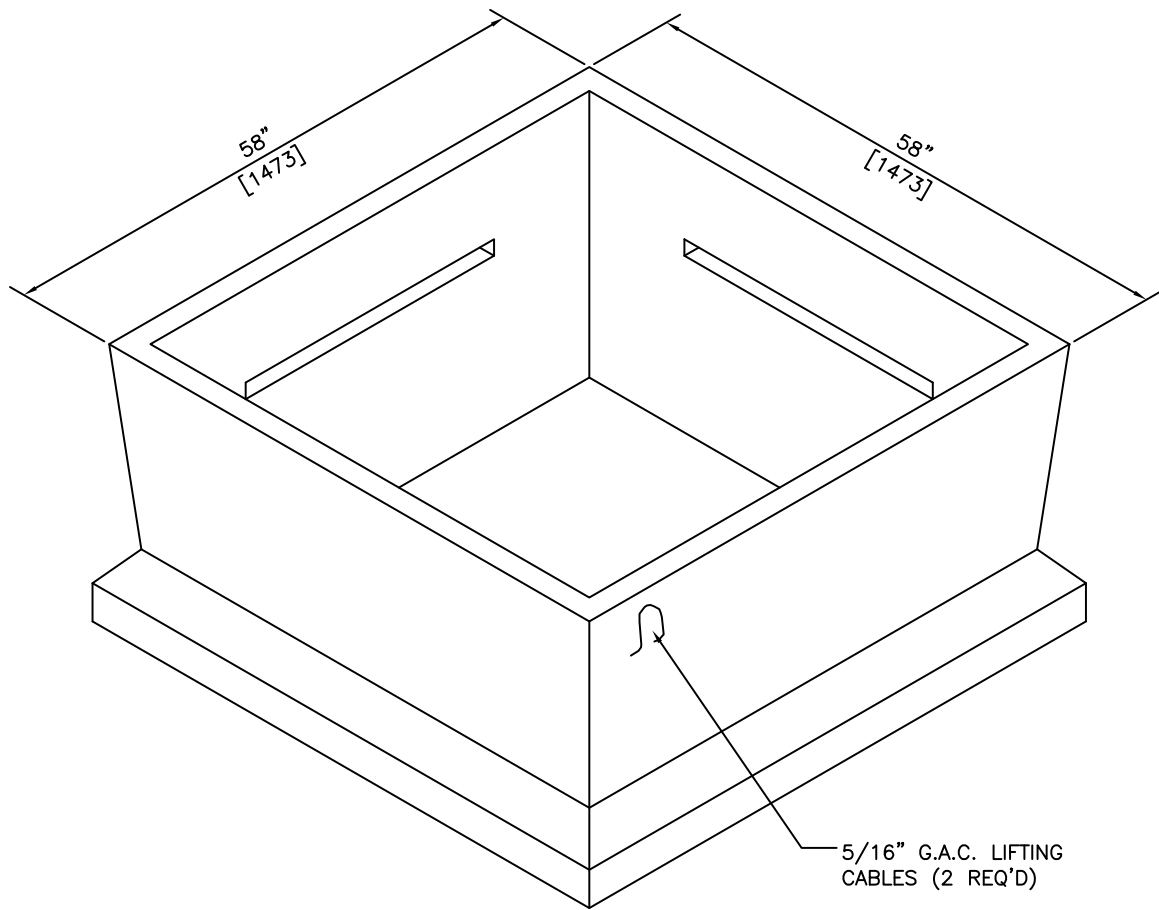


SECTIONS

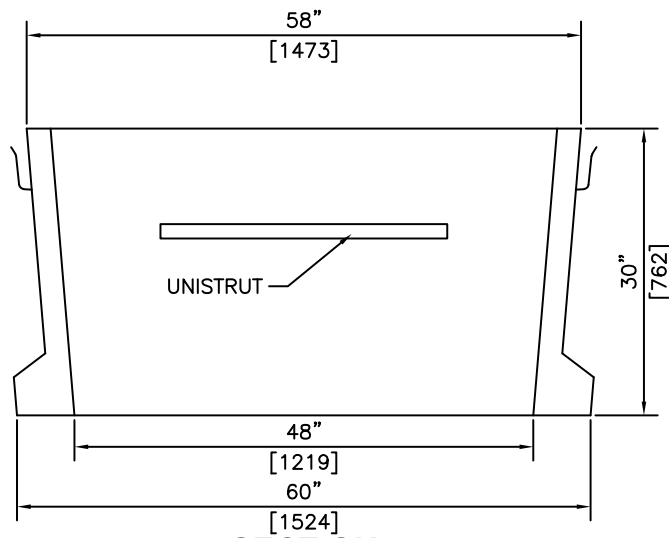
NOTES:
 1) 27.6 MPa @ 28 DAYS

REVISED: FEB 15 2005

 KON KAST products (2005) Ltd. "Committed To Quality And Service"	3440 UNIVERSITY WAY KELOWNA B.C. V1V 1V9 PH: (250)765-1423 FX: (250)765-0820	BY: PKR DATE: FEB 15 05 SCALE: NTS	TRANSFORMER PAD L.P.T.	ITEM NO. 1008



ISOMETRIC




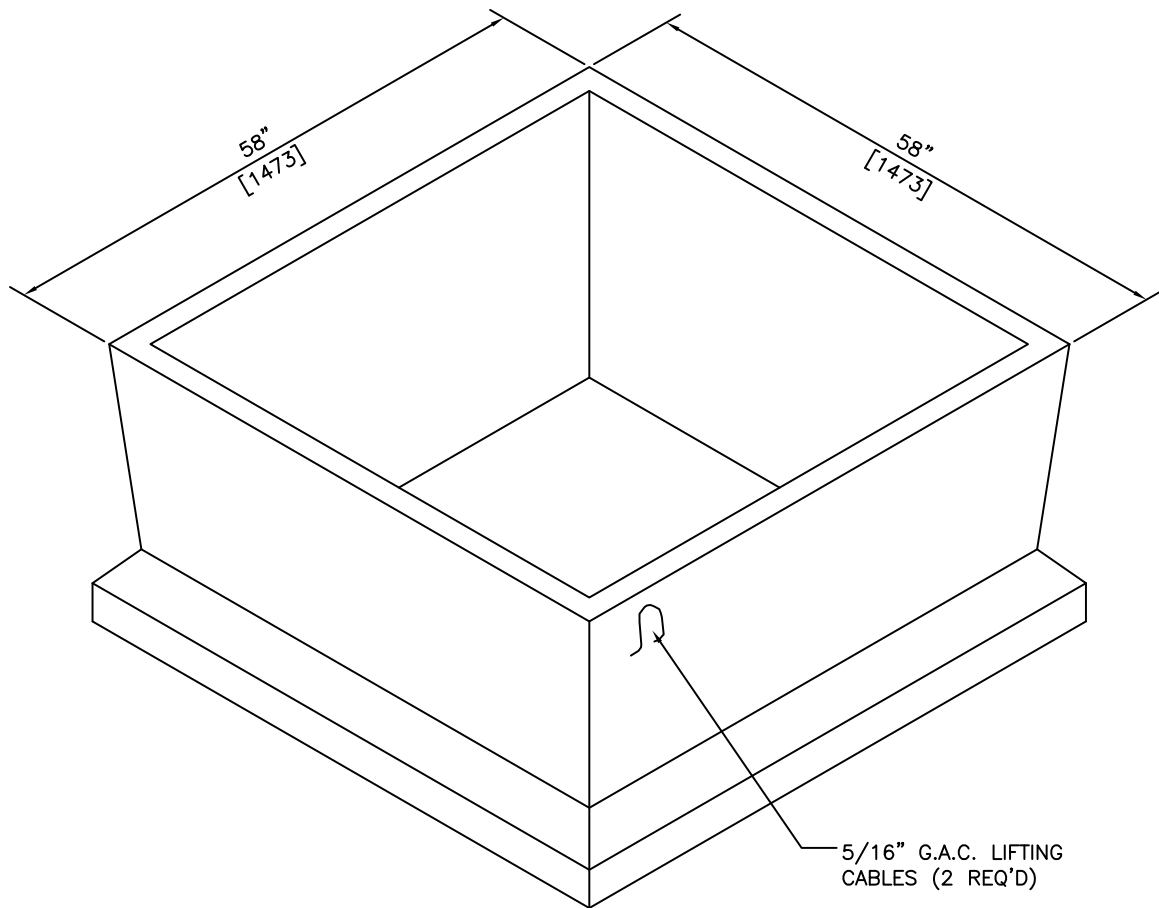
SECTION

NOTES:

1) 27.6 MPA @ 28 DAYS

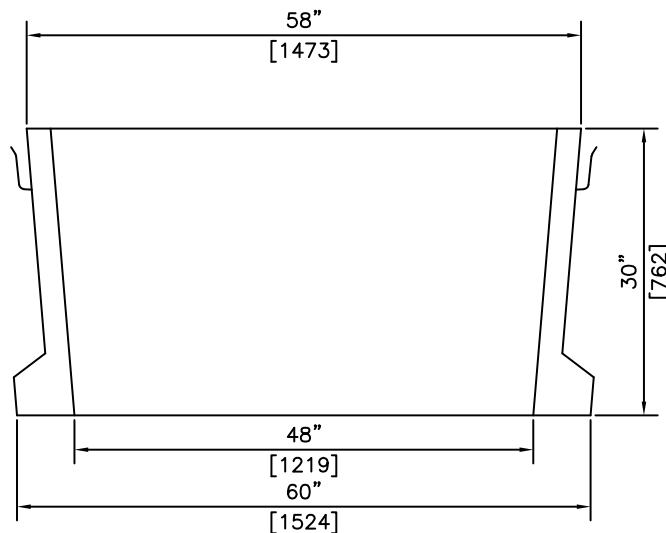
REVISED: MAY 3 2006

 <p>KON KAST products (2005) Ltd. "Committed To Quality And Service"</p>	<p>3440 UNIVERSITY WAY KELOWNA B.C. V1V 1V9 PH: (250)765-1423 FX: (250)765-0820</p>	<p>BY: PKR</p>	<p>58" x 58" x 30" PULLBOX WITH UNISTRUTS</p>	<p>ITEM NO.</p>
		<p>DATE: FEB 15 05</p>		<p>1018</p>
		<p>SCALE: NTS</p>		



5/16" G.A.C. LIFTING
CABLES (2 REQ'D)

ISOMETRIC




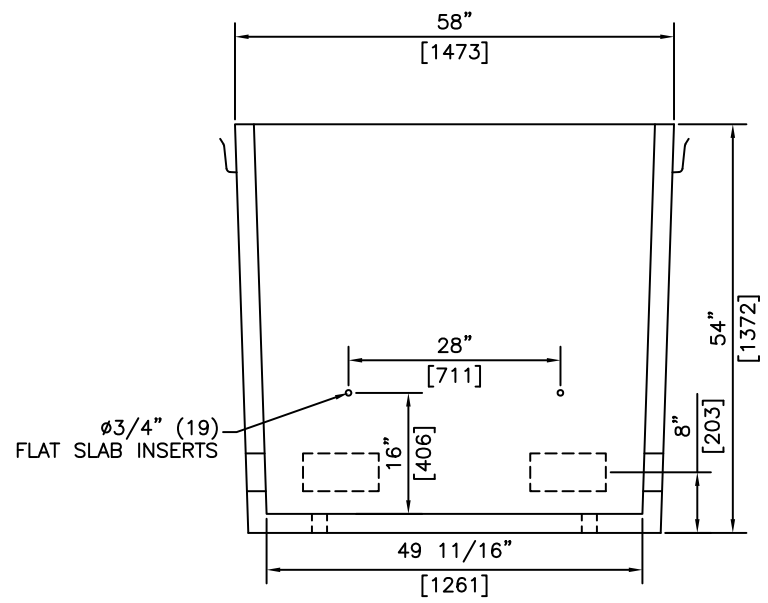
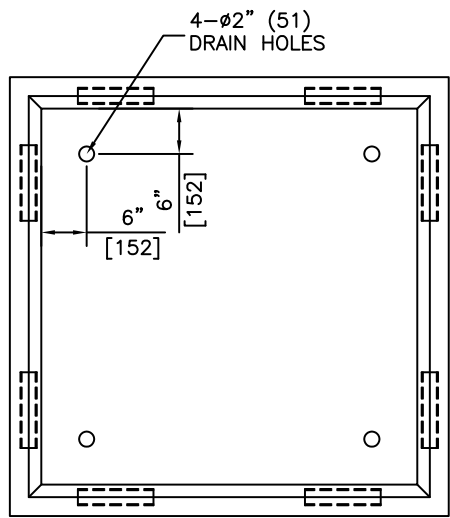
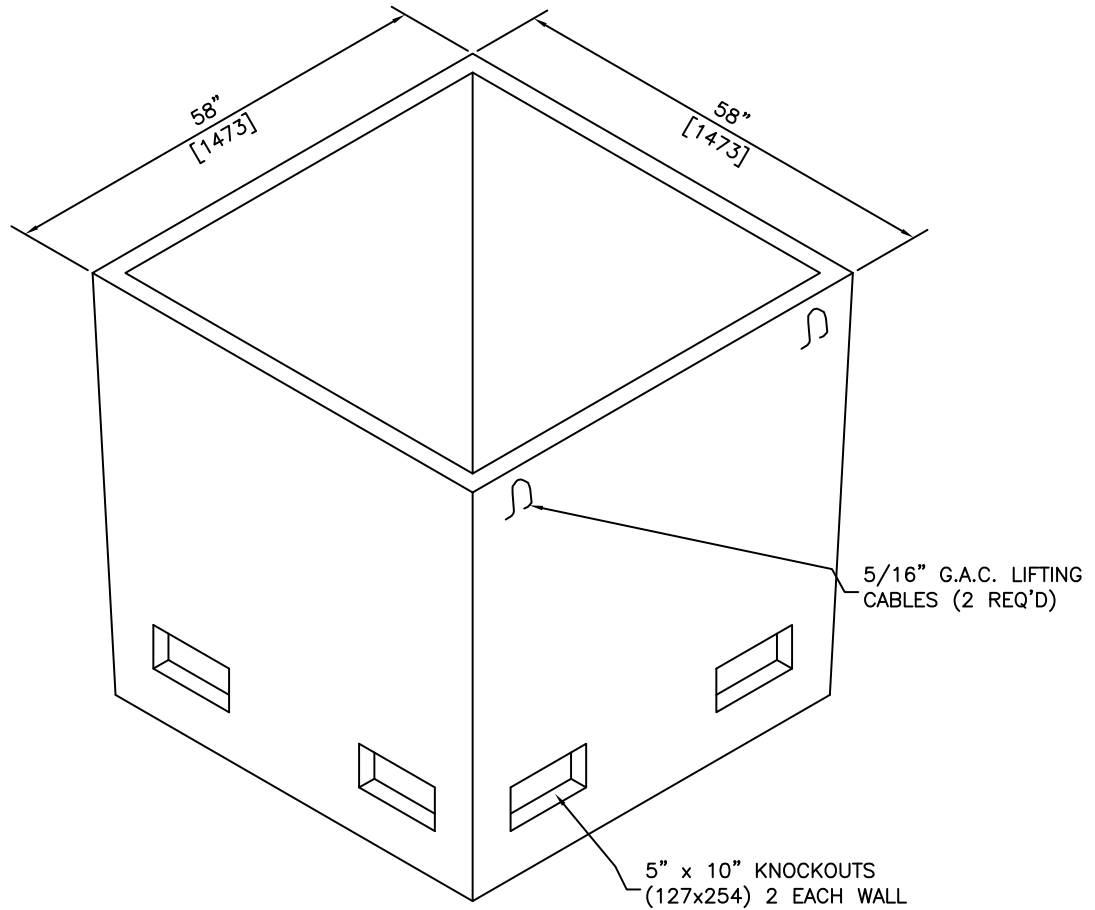
SECTION

NOTES:

1) 27.6 MPA @ 28 DAYS

REVISED: MAY 3 2006


 <p>KON KAST products (2005) Ltd. "Committed To Quality And Service"</p>	<p>3440 UNIVERSITY WAY KELOWNA B.C. V1V 1V9 PH: (250)765-1423 FX: (250)765-0820</p>	BY: PKR	<p>58" x 58" x 30" PULLBOX WITHOUT UNISTRUTS</p>	ITEM NO.
		DATE: FEB 15 05		<p>1019</p>
		SCALE: NTS		

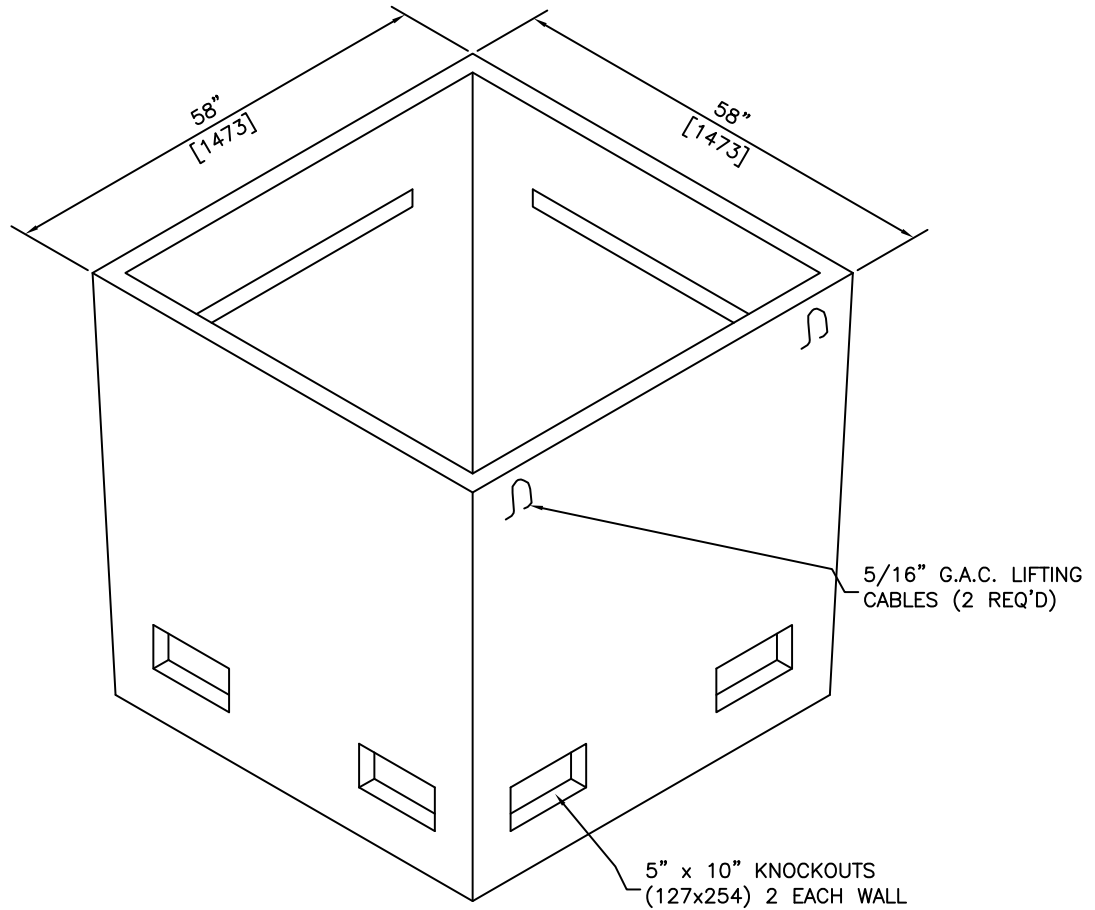


NOTES:
 1) 27.6 MPA @ 28 DAYS

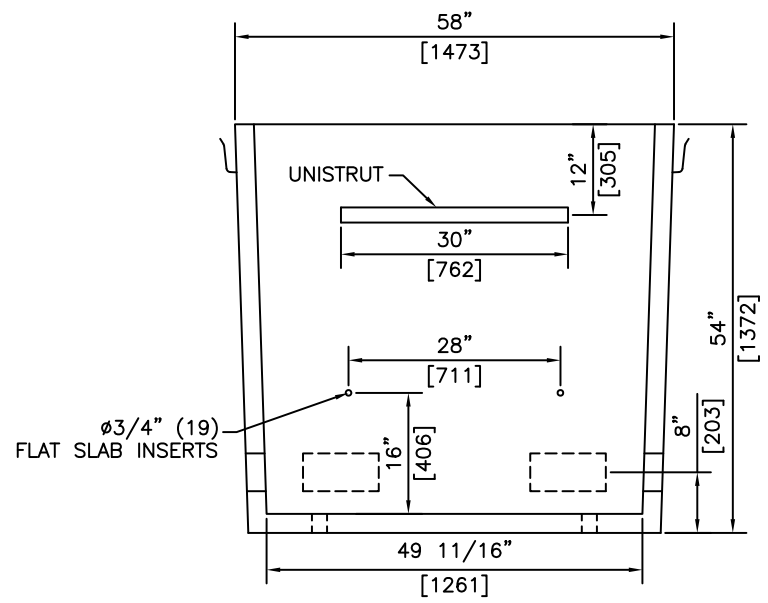
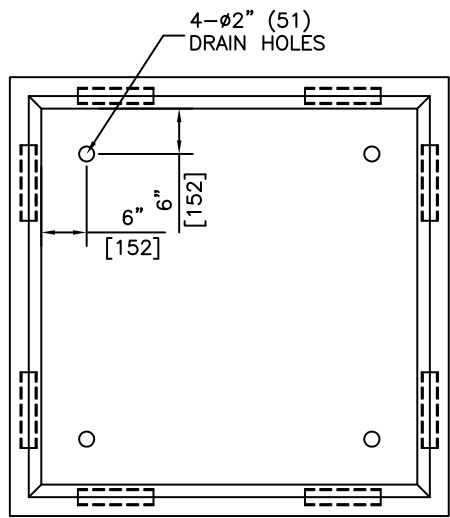
SECTIONS

REVISED: MAY 3 2006

 <p>KON KAST products (2005) Ltd. "Committed To Quality And Service"</p>	3440 UNIVERSITY WAY KELOWNA B.C. V1V 1V9 PH: (250)765-1423 FX: (250)765-0820	BY: PKR	58" x 58" x 54" PULLBOX WITHOUT UNISTRUTS	ITEM NO.
		DATE: FEB 15 05		1020
		SCALE: NTS		




ISOMETRIC

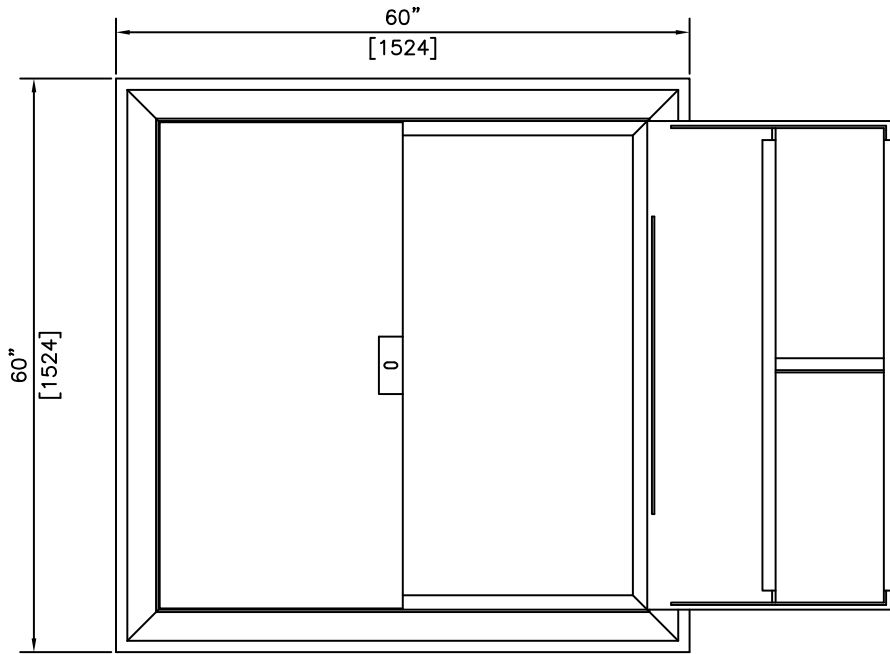


SECTIONS

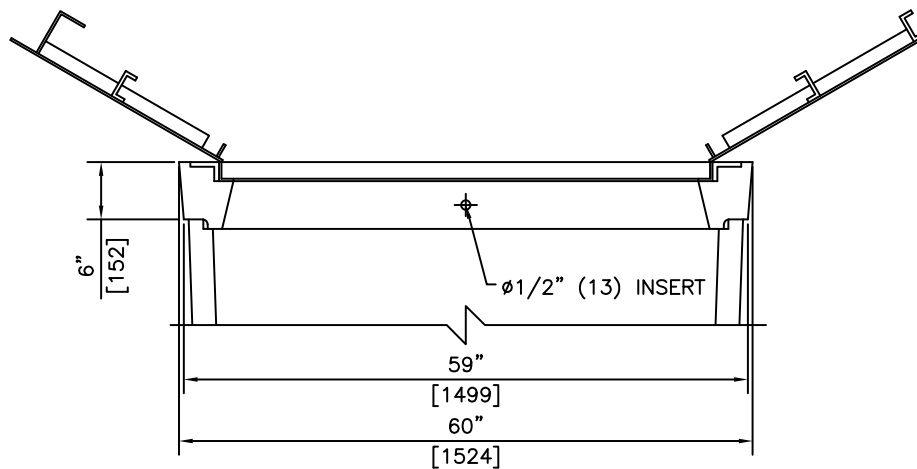
NOTES:
 1) 27.6 MPA @ 28 DAYS

REVISED: MAY 3 2006

 KON KAST products (2005) Ltd. "Committed To Quality And Service"	3440 UNIVERSITY WAY KELOWNA B.C. V1V 1V9 PH: (250)765-1423 FX: (250)765-0820	BY: PKR DATE: FEB 18 05 SCALE: NTS	58" x 58" x 54" PULLBOX WITH UNISTRUTS	ITEM NO. 1021



PLAN VIEW




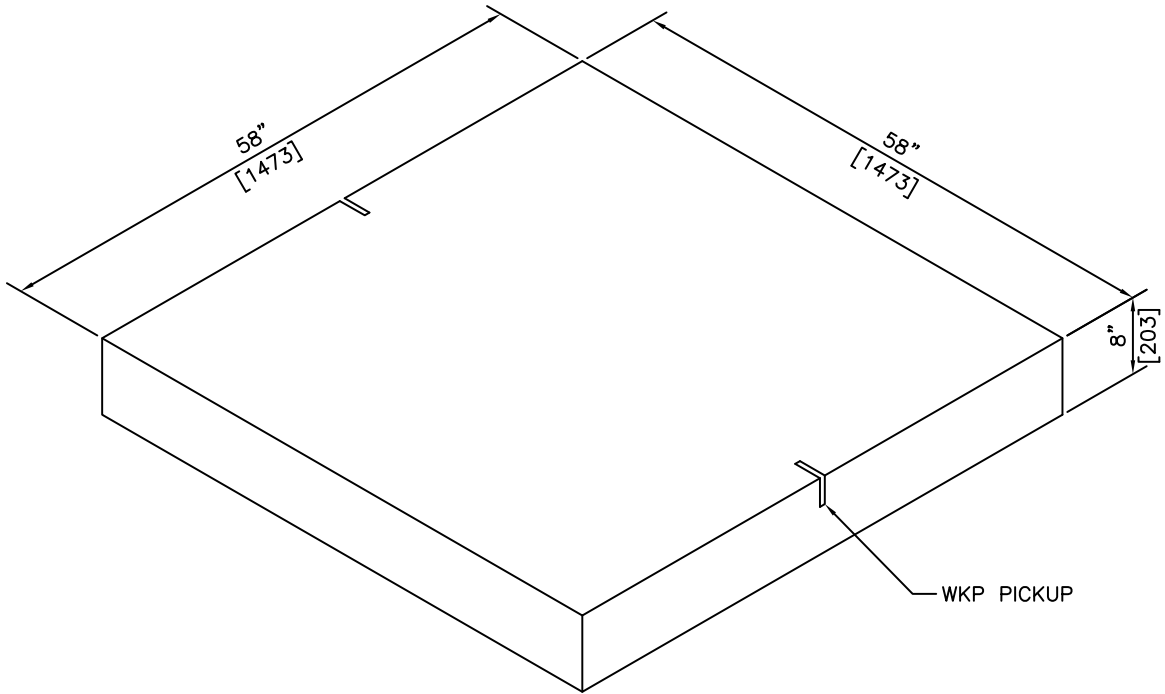
SECTION

NOTES:

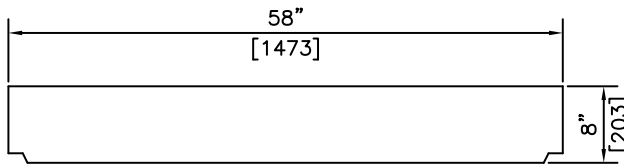
- 1) 27.6 MPa @ 28 DAYS
- 2) MEETS H-20 LOADING

REVISED: MAY 3 2006

 <p>KON KAST products (2005) Ltd. "Committed To Quality And Service"</p>	<p>3440 UNIVERSITY WAY KELOWNA B.C. V1V 1V9 PH: (250)765-1423 FX: (250)765-0820</p>	BY: PKR	<p>58" x 58" (1473 x 1473) PULL BOX CONCRETE & STEEL LID (H-20)</p>	ITEM NO.
		DATE: FEB 18 05		<p>1022</p>
		SCALE: NTS		



PLAN VIEW




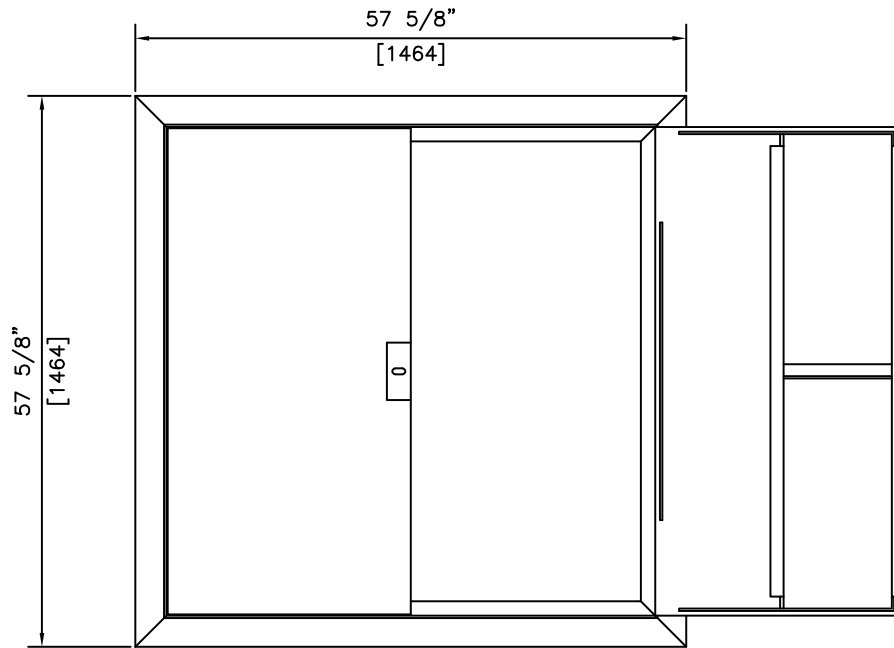
SECTION

NOTES:

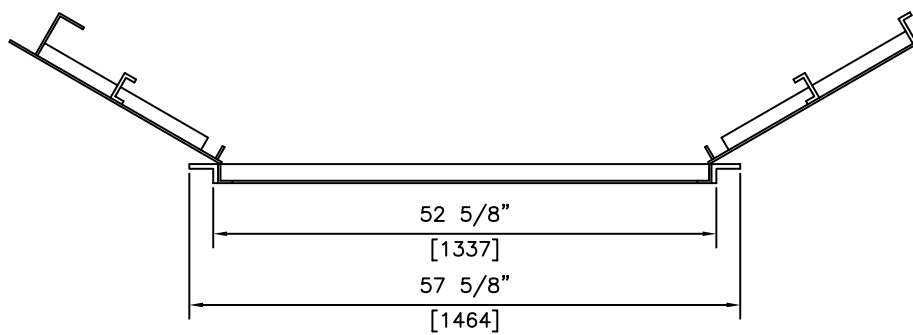
- 1) 27.6 MPa @ 28 DAYS
- 2) MEETS H-20 LOADING

REVISED: FEB 18 2005

 KON KAST products (2005) Ltd. "Committed To Quality And Service"	3440 UNIVERSITY WAY KELOWNA B.C. V1V 1V9 PH: (250)765-1423 FX: (250)765-0820	BY: PKR DATE: FEB 18 05 SCALE: NTS	58" x 58" (1473 x 1473) PULL BOX CONCRETE LID (H-20)	ITEM NO. 1024



PLAN VIEW




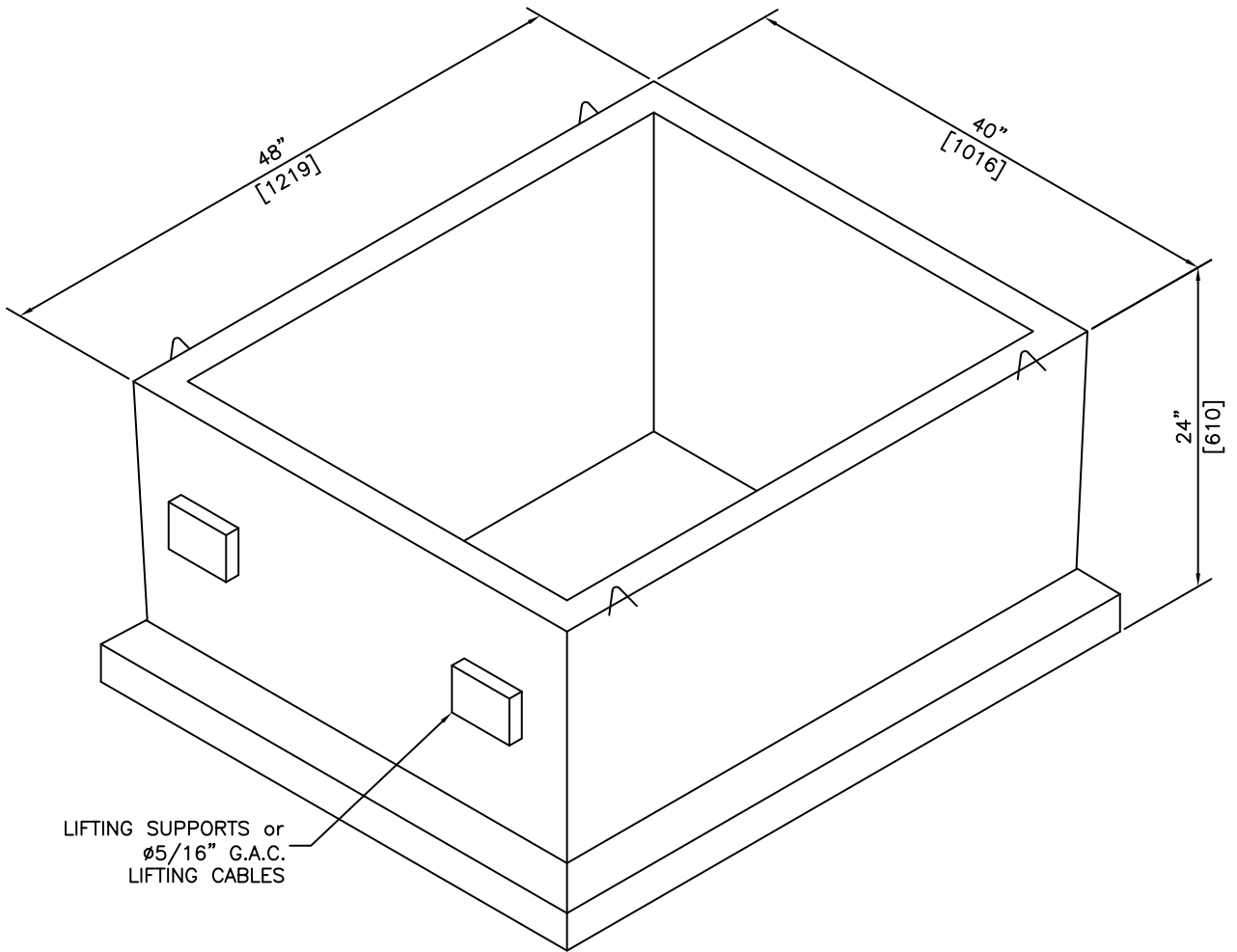
SECTION

NOTES:

1) MEETS H-20 LOADING

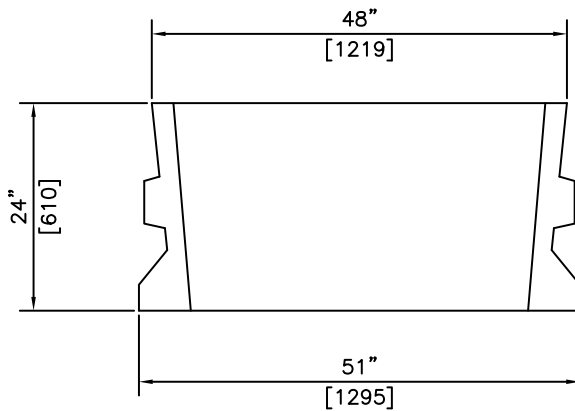
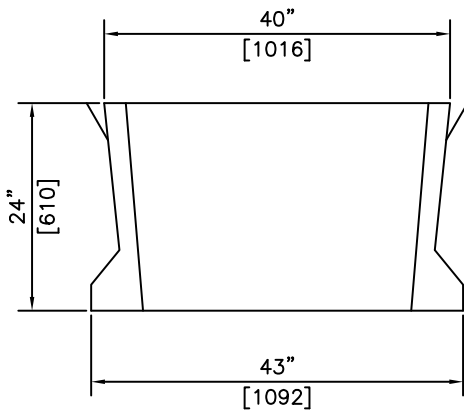
REVISED: MAY 3 2006

 <p>KON KAST products (2005) Ltd. "Committed To Quality And Service"</p>	<p>3440 UNIVERSITY WAY KELOWNA B.C. V1V 1V9 PH: (250)765-1423 FX: (250)765-0820</p>	BY: PKR	<p>58" x 58" (1473 x 1473) PULL BOX STEEL LID (H-20)</p>	ITEM NO.
		DATE: FEB 18 05		<p>1025</p>
		SCALE: NTS		



LIFTING SUPPORTS or
 ø5/16" G.A.C.
 LIFTING CABLES

ISOMETRIC



SECTIONS

NOTES:

- 1) 27.6 MPa @ 28 DAYS
- 2) MEETS H-20 LOADING

REVISED: MAY 3 2006



KON KAST
 products (2005) Ltd.

"Committed To Quality And Service"

3440 UNIVERSITY WAY
 KELOWNA B.C.
 V1V 1V9
 PH: (250)765-1423
 FX: (250)765-0820

BY: PKR

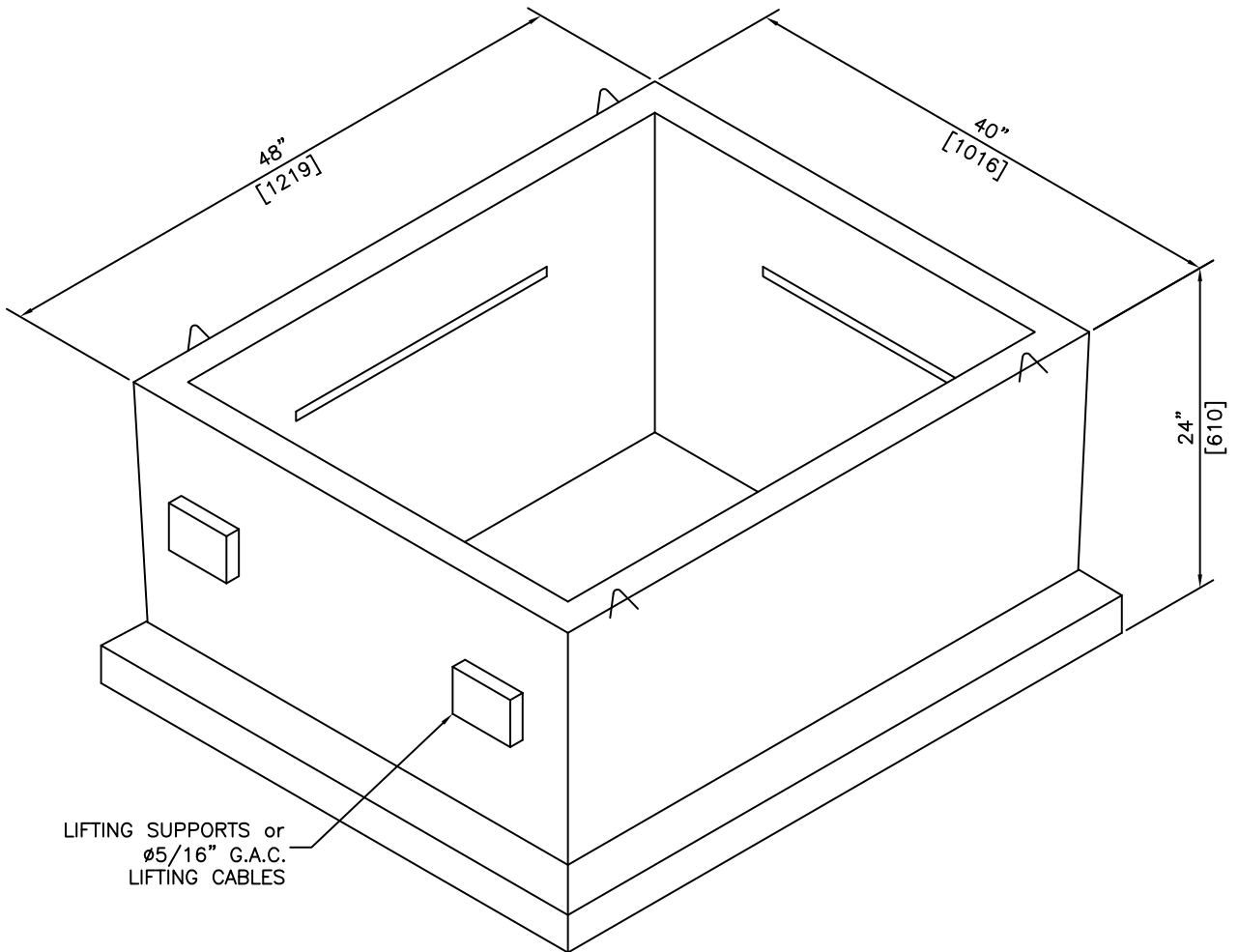
DATE: FEB 18 05

SCALE: NTS

**40 x 48 TRANSFORMER
 SUPPORT BOX
 WITHOUT UNISTRUT**

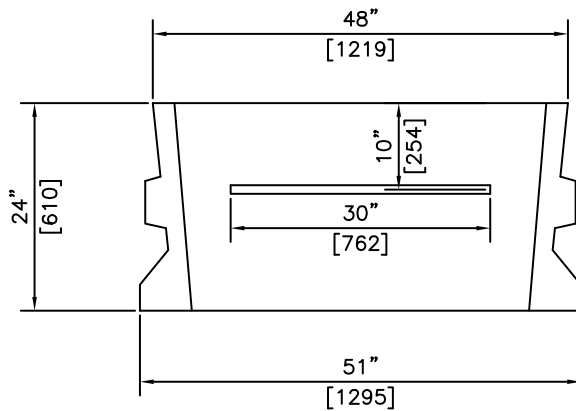
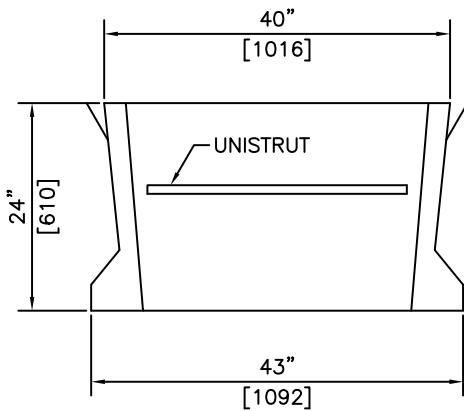
ITEM NO.

1030



LIFTING SUPPORTS or
 ø5/16" G.A.C.
 LIFTING CABLES

ISOMETRIC




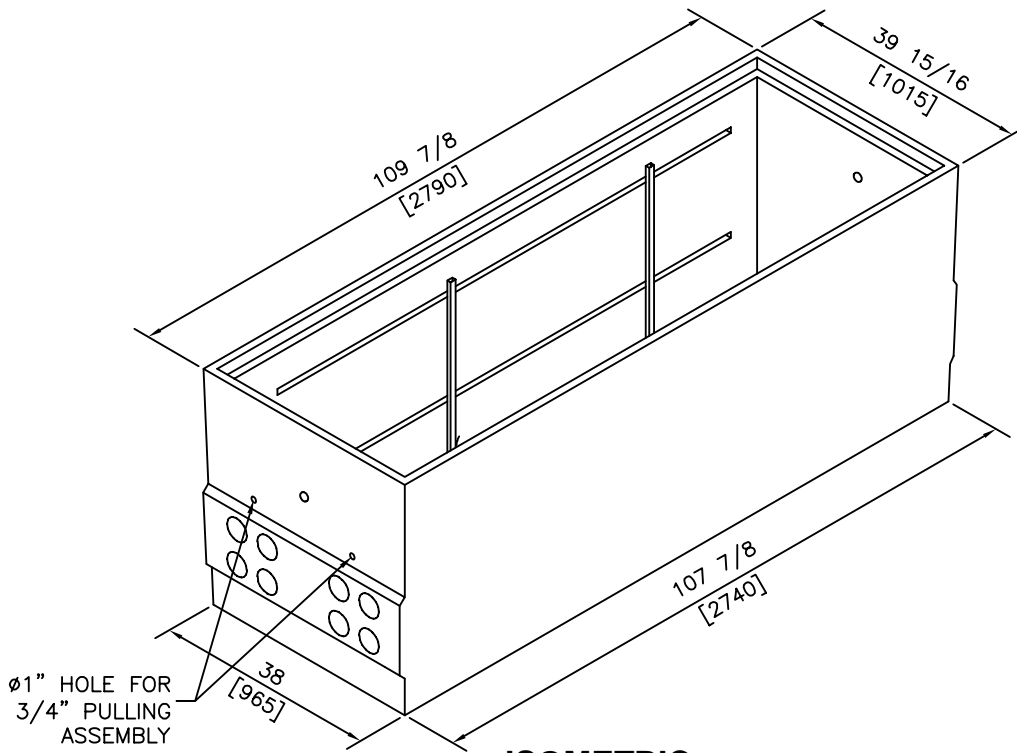
SECTIONS

NOTES:

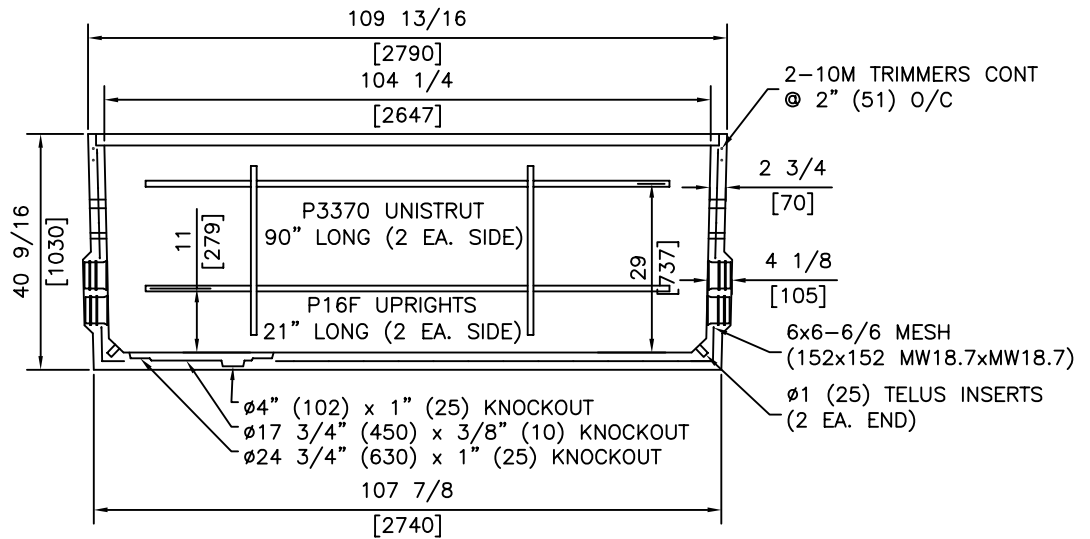
- 1) 27.6 MPa @ 28 DAYS
- 2) MEETS H-20 LOADING

REVISED: MAY 3 2006

 <p>KON KAST products (2005) Ltd. "Committed To Quality And Service"</p>	3440 UNIVERSITY WAY KELOWNA B.C. V1V 1V9 PH: (250)765-1423 FX: (250)765-0820	BY: PKR	40 x 48 TRANSFORMER SUPPORT BOX WITH UNISTRUT	ITEM NO.
		DATE: FEB 21 05		1031
		SCALE: NTS		

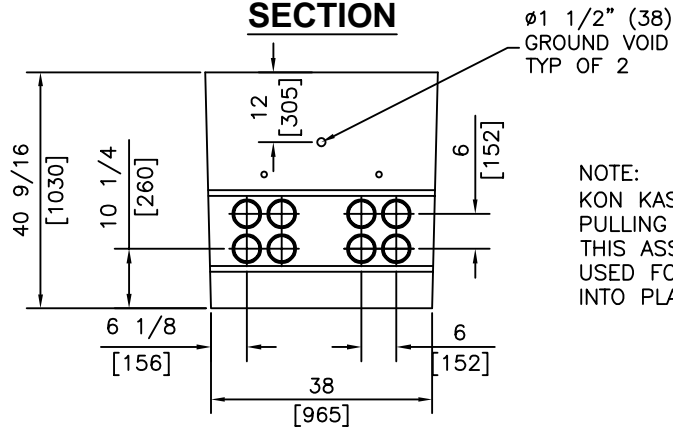


ISOMETRIC



SECTION

END ELEVATION



NOTE:
 KON KAST TO SUPPLY $\phi 3/4$ " PULLING ASSEMBLY
 THIS ASSEMBLY CAN ALSO BE USED FOR LIFTING THE PRODUCT INTO PLACEMENT

30 MPa @ 28 DAYS
 SULPHATE RESISTANT CONCRETE
 H-20 STATIC LOAD RATED
 WEIGHT: 1490 kg

REVISED: APR 12 2016



KON KAST
 products (2005) ltd.

ph: (250) 765 1423
 fx: (250) 765 0820
 www.konkast.com

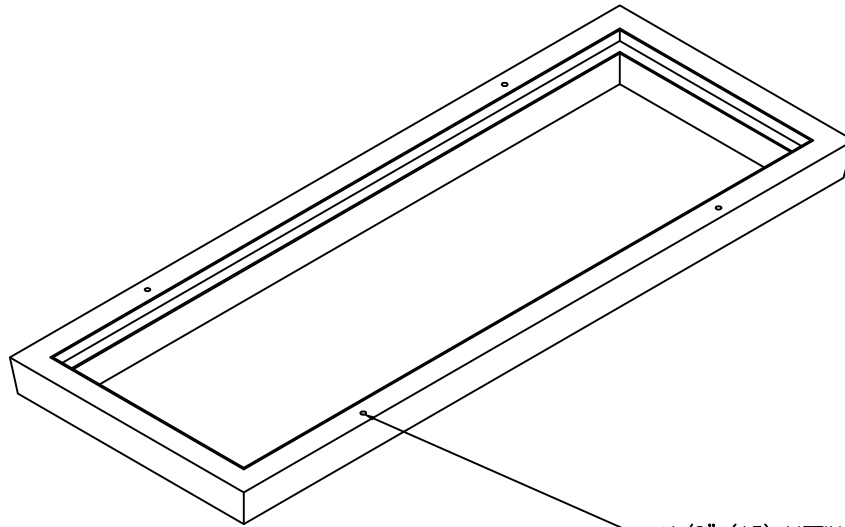
"Committed To Quality And Service"

DESCRIPTION

**FORTIS
 832 JUNCTION
 VAULT**

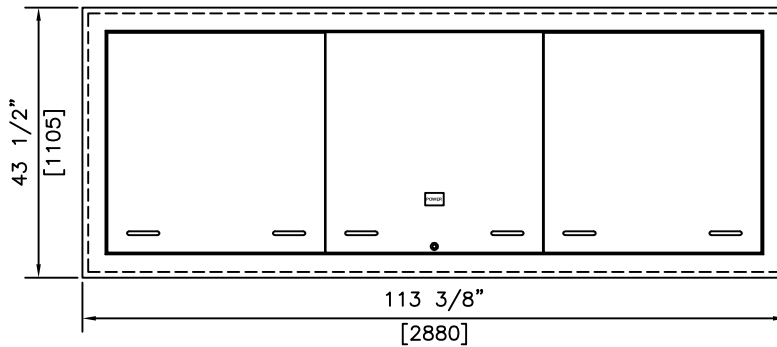
DRAWN BY: PKR
 DATE: MAY 16 2007
 SCALE: NTS

DRAWING:
1032

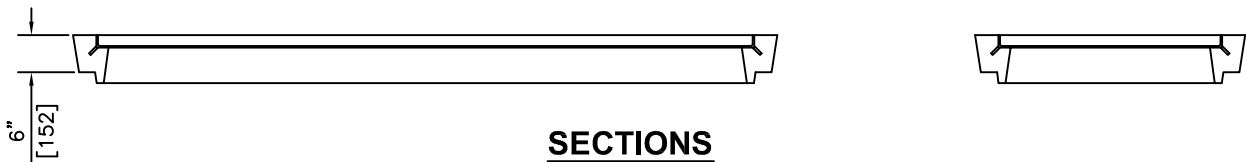


ISOMETRIC

Ø1/2" (13) LIFTING INSERTS
c/w 10M REBAR 6" LONG WELDED
TO THE FERRULE



PLAN VIEW - c/w STEEL LID




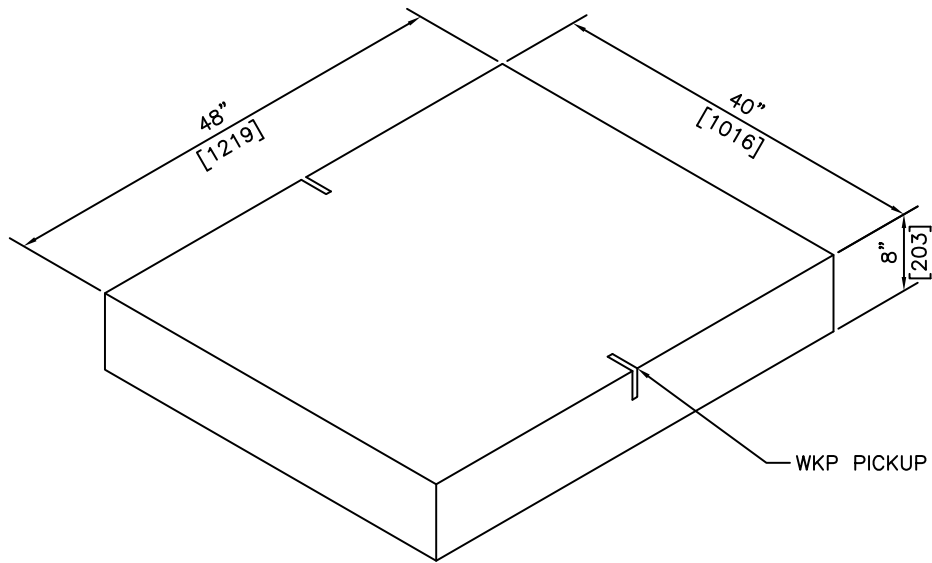
SECTIONS

NOTES:

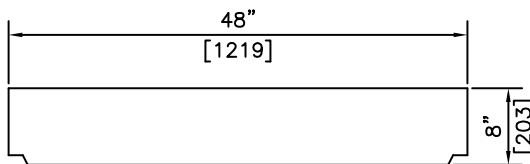
- 1) 30 MPa @ 28 DAYS
- 2) MEETS H-20 LOADING
- 3) SULPHATE RESISTANT CONCRETE

REVISED: MAY 15 2012

 <p>KON KAST products (2005) Ltd. "Committed To Quality And Service"</p>	<p>1313 INNOVATION DR KELOWNA B.C. V1V 3B3 PH: (250)765-1423 FX: (250)765-0820</p>	BY: PKR	<p>832 JUNCTION VAULT CONCRETE COLLAR & STEEL LID</p>	DRAWING
		DATE: MAR 7 05		<p>1033</p>
		SCALE: NTS		



PLAN VIEW




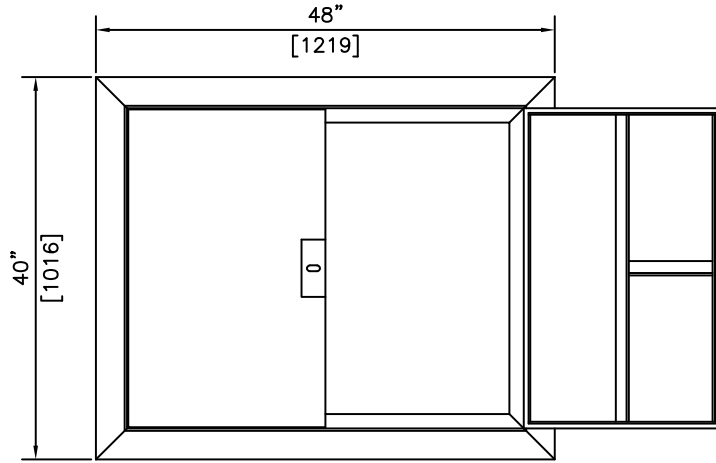
SECTION

NOTES:

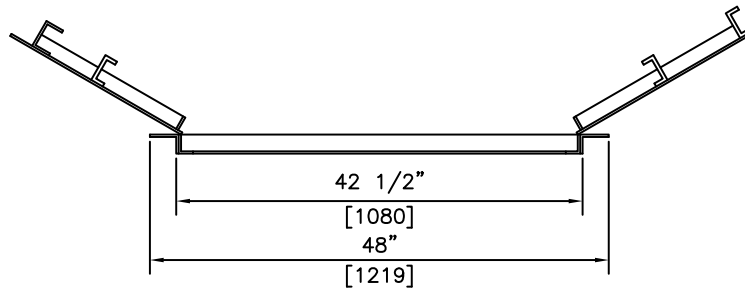
- 1) 27.6 MPa @ 28 DAYS
- 2) MEETS H-20 LOADING

REVISED: FEB 18 2005

 <p>KON KAST products (2005) Ltd. "Committed To Quality And Service"</p>	<p>3440 UNIVERSITY WAY KELOWNA B.C. V1V 1V9 PH: (250)765-1423 FX: (250)765-0820</p>	BY: PKR	<p>40" x 48" (1016 x 1219) SUPPORT BOX CONCRETE LID (H-20)</p>	ITEM NO.
		DATE: FEB 18 05		<p>1036</p>
		SCALE: NTS		



PLAN VIEW




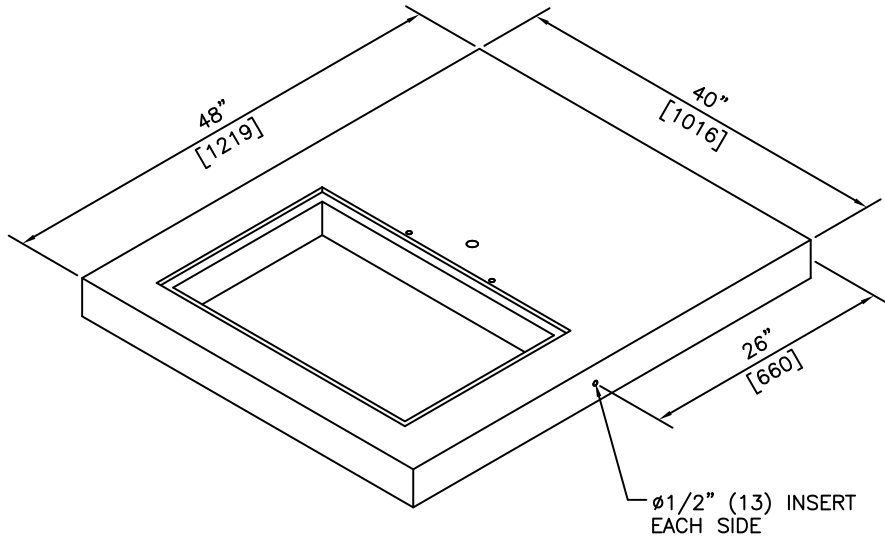
SECTION

NOTES:

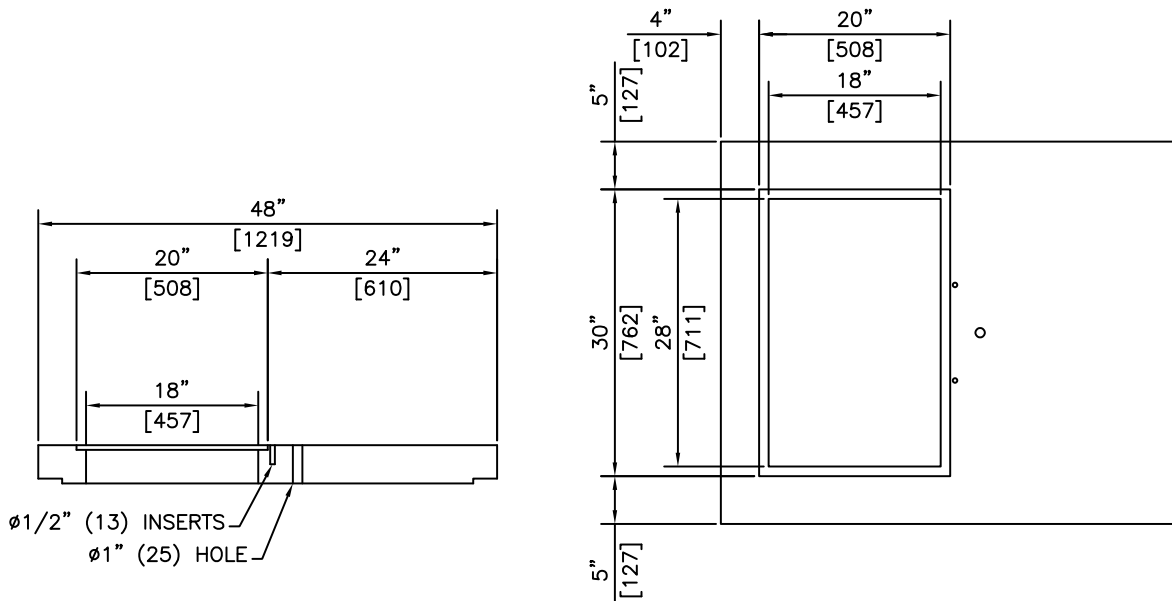
1) MEETS H-20 LOADING

REVISED: MAY 3 2006

 KON KAST products (2005) Ltd. "Committed To Quality And Service"	3440 UNIVERSITY WAY KELOWNA B.C. V1V 1V9 PH: (250)765-1423 FX: (250)765-0820	BY: PKR DATE: FEB 21 05 SCALE: NTS	40" x 48" (1016x1219) CHECKER PLATE LID H-20 LOADING	ITEM NO. 1037



ISOMETRIC




SECTION

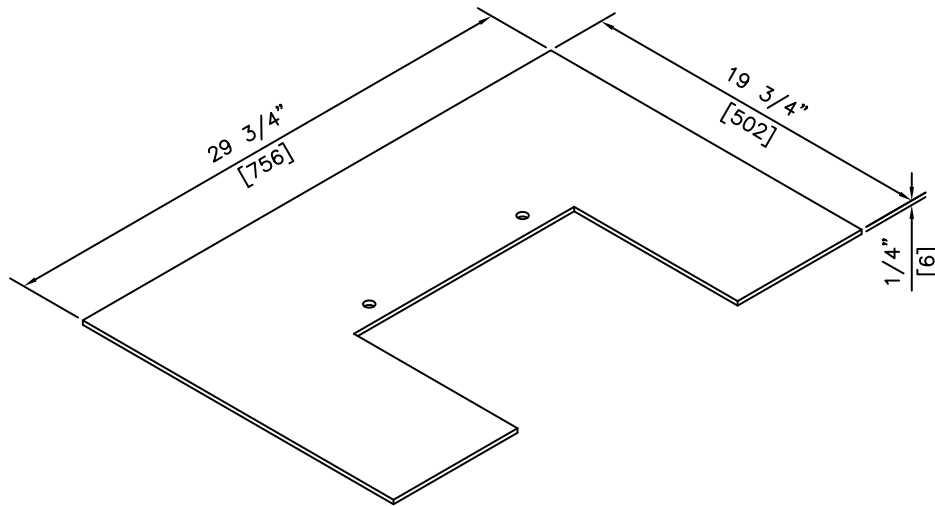
PLAN

NOTES:

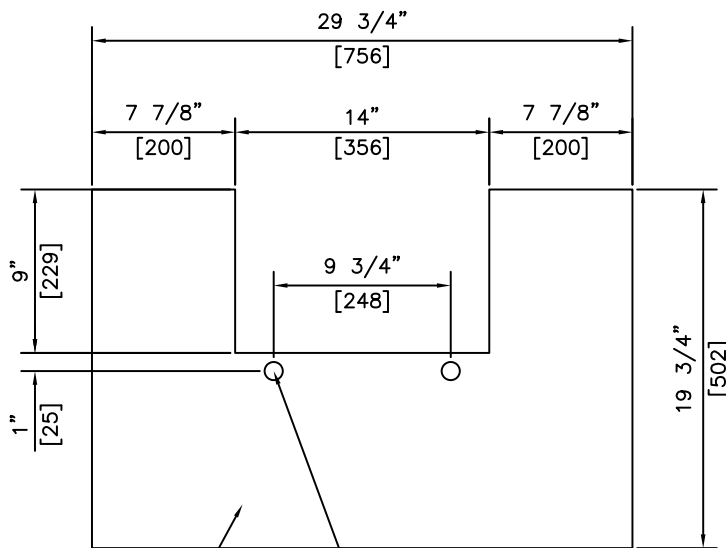
- 1) MEETS H-20 LOADING
- 2) 27.6 MPa @ 28 DAYS

REVISED: MAY 3 2006

 <p>KON KAST products (2005) Ltd. "Committed To Quality And Service"</p>	<p>3440 UNIVERSITY WAY KELOWNA B.C. V1V 1V9 PH: (250)765-1423 FX: (250)765-0820</p>	BY: PKR	<p>40" x 48" (1016x1219) SUPPORT BOX CONCRETE LID (H-20)</p>	ITEM NO.
		DATE: FEB 21 05		<p>1038</p>
		SCALE: NTS		



ISOMETRIC



1/4" (6) PLATE STEEL LID (FILLER) — $\varnothing 9/16"$ (14) HOLES

PLAN

NOTES:

1) MEETS H-20 LOADING

REVISED: FEB 21 2005



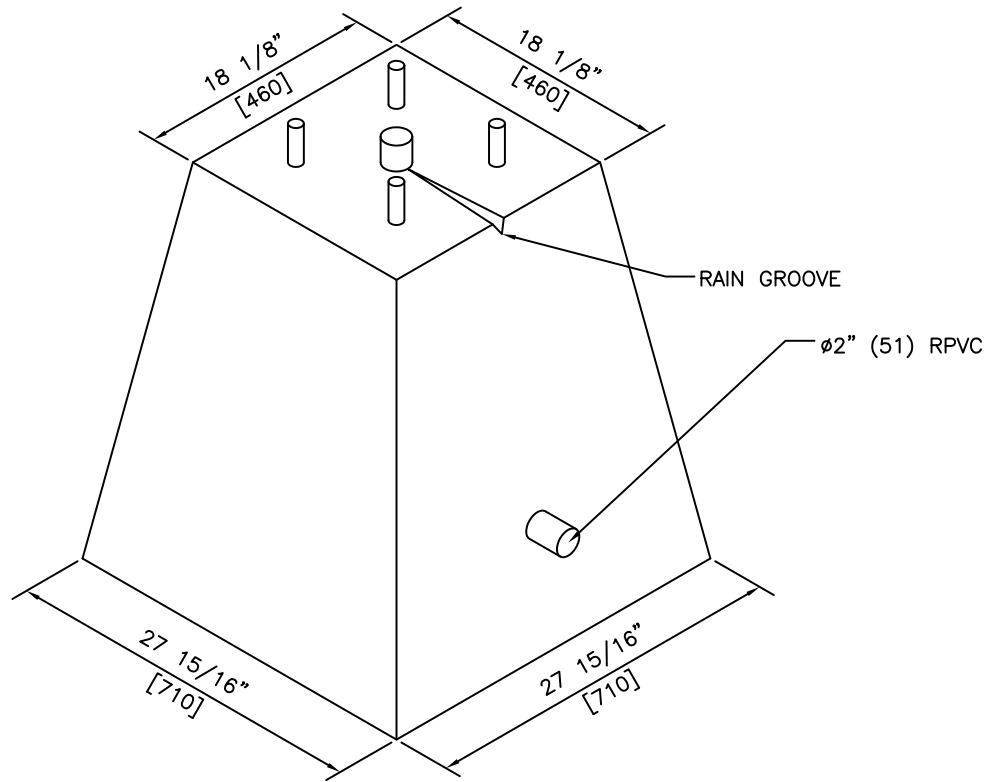
KON KAST
products (2005) Ltd.
"Committed To Quality And Service"

3440 UNIVERSITY WAY
KELOWNA B.C.
V1V 1V9
PH: (250)765-1423
FX: (250)765-0820

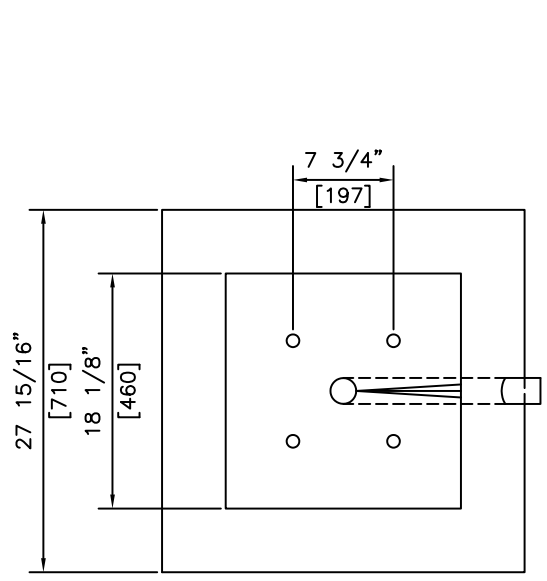
BY: PKR
DATE: FEB 21 05
SCALE: NTS

40" x 48" (1016x1219)
LID No.4
(37KV_a FILLER)

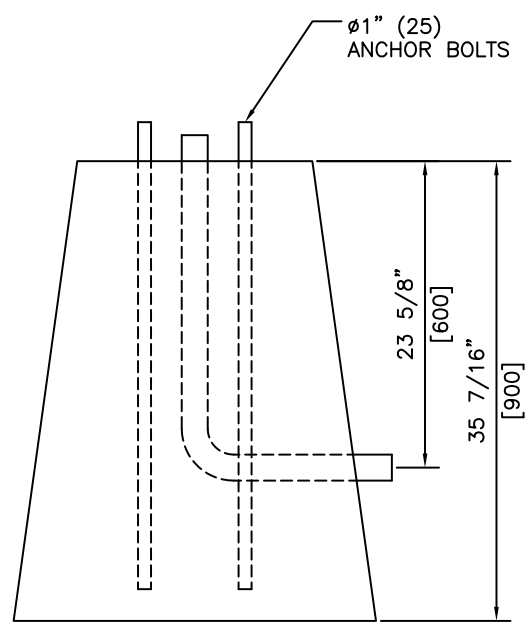
ITEM NO.
1039



ISOMETRIC




PLAN

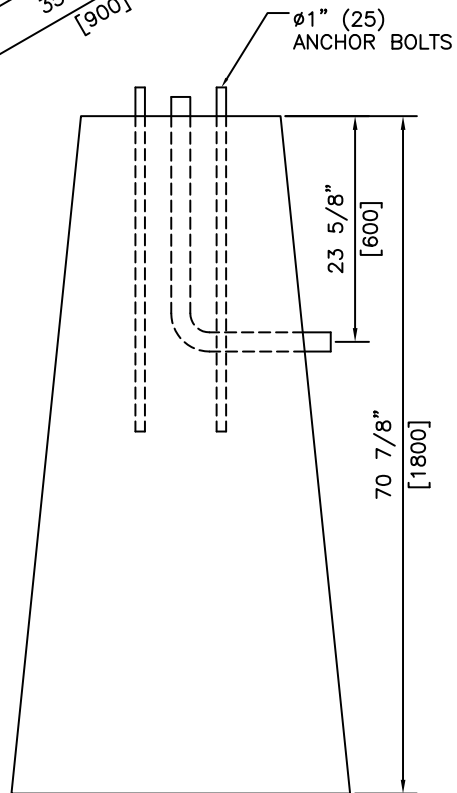
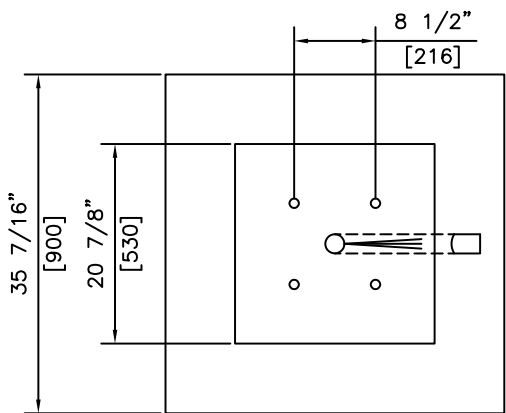
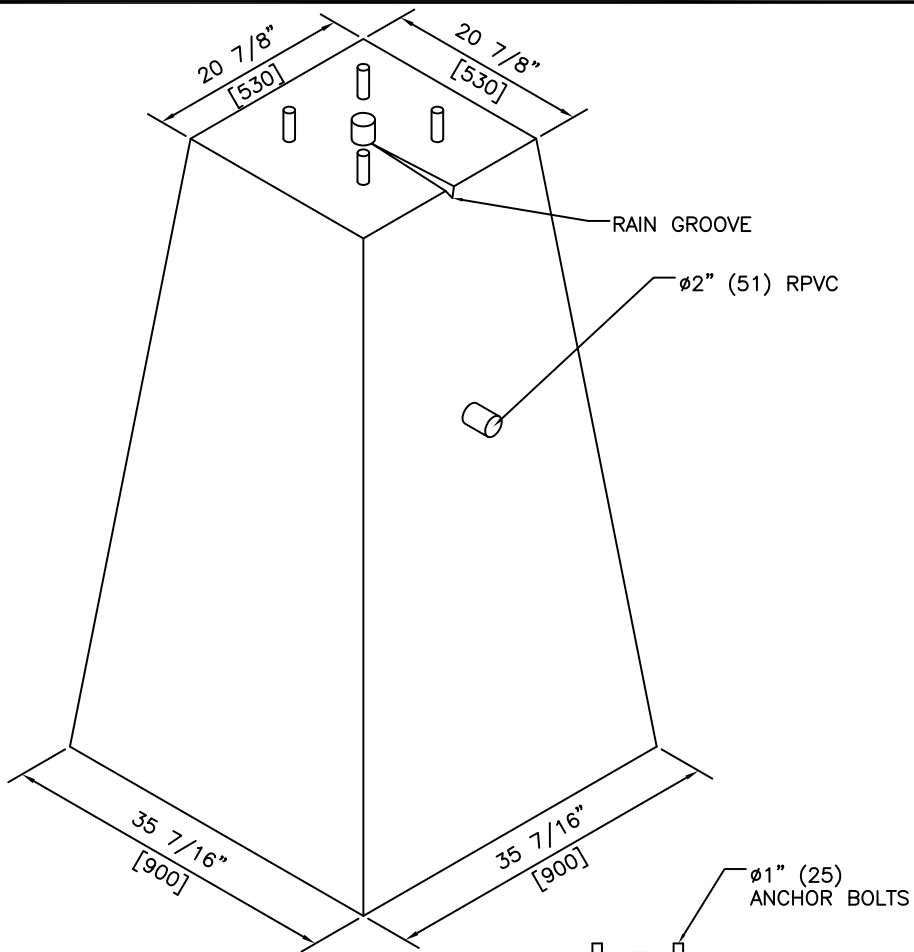


ELEVATION

NOTES:
1) 27.6 MPa @ 28 DAYS


REVISED: FEB 21 2005

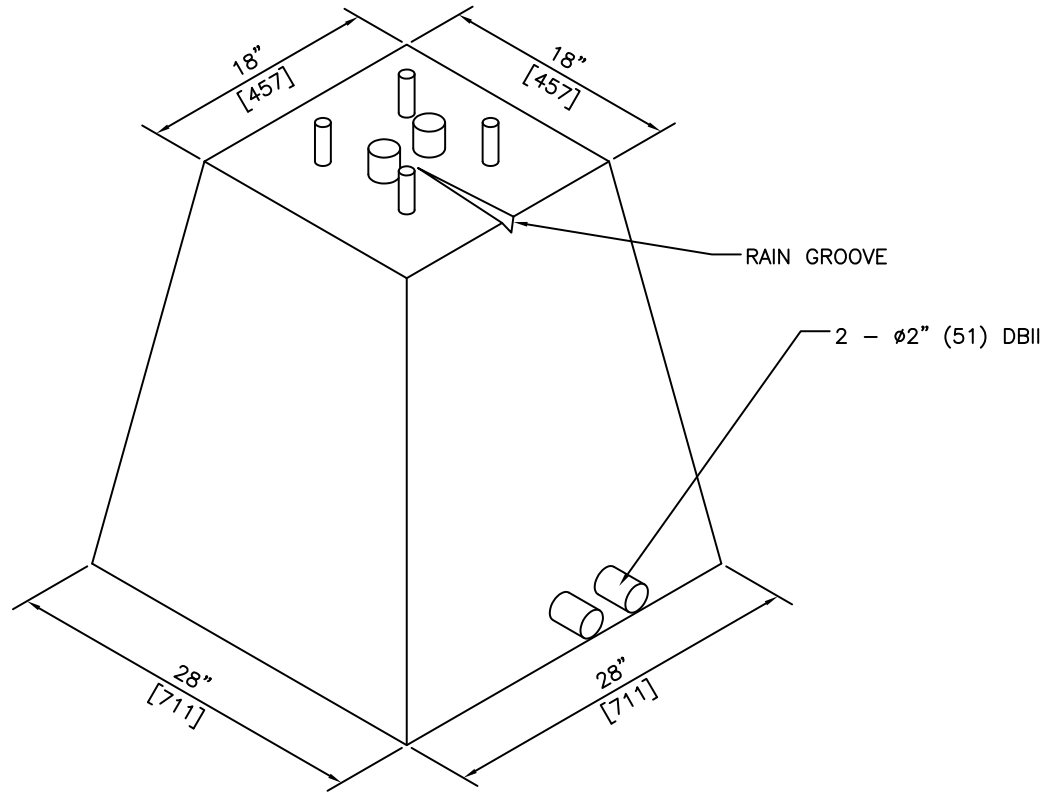
 KON KAST products (2005) Ltd. "Committed To Quality And Service"	3440 UNIVERSITY WAY KELOWNA B.C. V1V 1V9 PH: (250)765-1423 FX: (250)765-0820	BY: PKR DATE: FEB 21 05 SCALE: NTS	900mm (35 7/16") LIGHT STANDARD BASE	ITEM NO. 1040



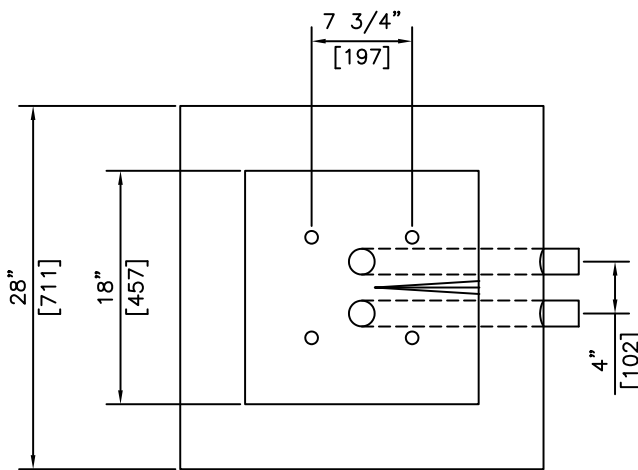
NOTES:
 1) 27.6 MPa @ 28 DAYS

ELEVATION REVISED: FEB 21 2005

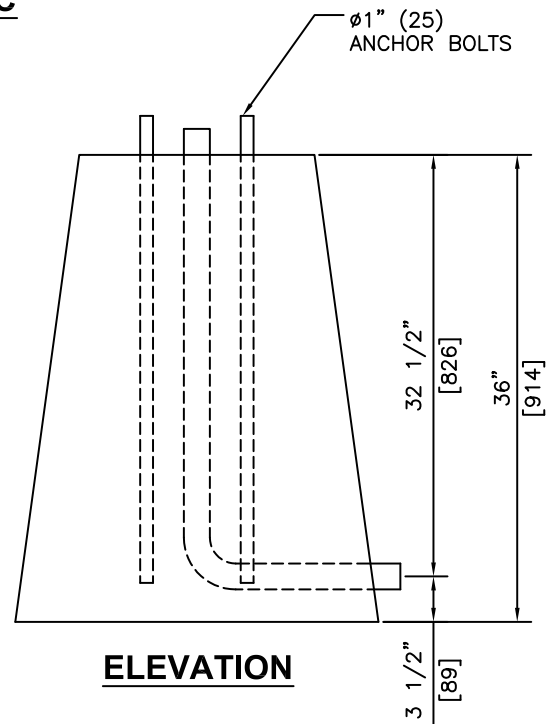
 KON KAST products (2005) Ltd. "Committed To Quality And Service"	3440 UNIVERSITY WAY KELOWNA B.C. V1V 1V9 PH: (250)765-1423 FX: (250)765-0820	BY: PKR DATE: FEB 21 05 SCALE: NTS	1800mm (70 7/8") LIGHT STANDARD BASE	ITEM NO. 1041



ISOMETRIC



PLAN



ELEVATION

NOTES:

1) 27.6 MPa @ 28 DAYS

REVISED: FEB 22 2005



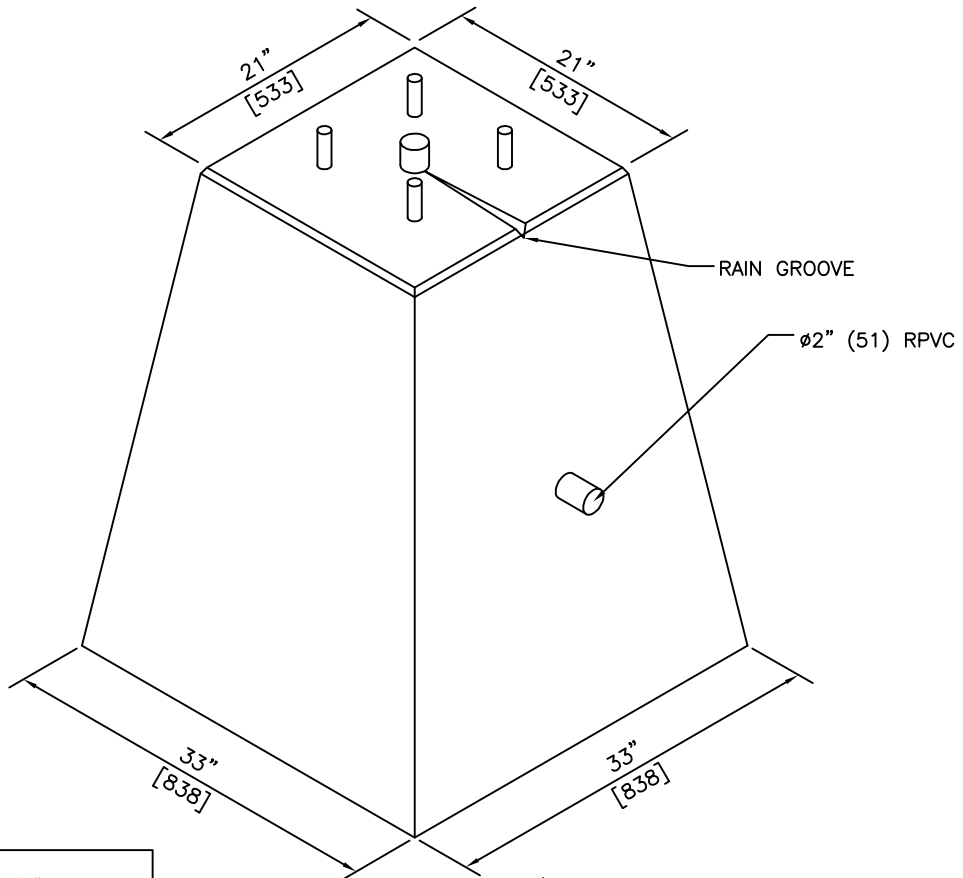
KON KAST
products (2005) Ltd.
"Committed To Quality And Service"

3440 UNIVERSITY WAY
KELOWNA B.C.
V1V 1V9
PH: (250)765-1423
FX: (250)765-0820

BY: PKR
DATE: FEB 22 05
SCALE: NTS

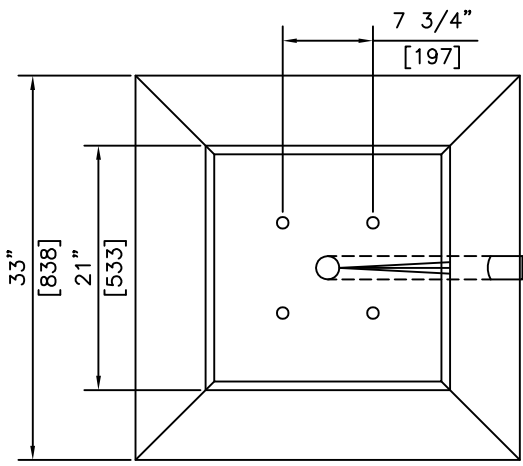
**30 FT
LIGHT STANDARD
BASE**

ITEM NO.
1045

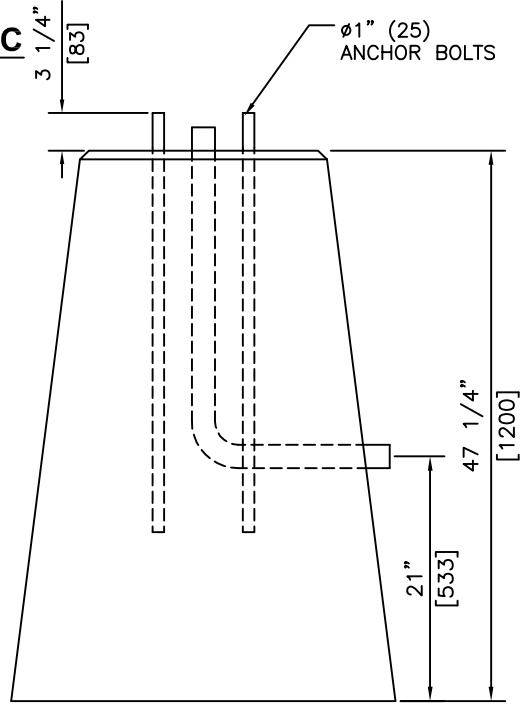


NOTE:
c/w 2-3 3/8" LIFTING
ANCHORS FOR HANDLING

ISOMETRIC




PLAN

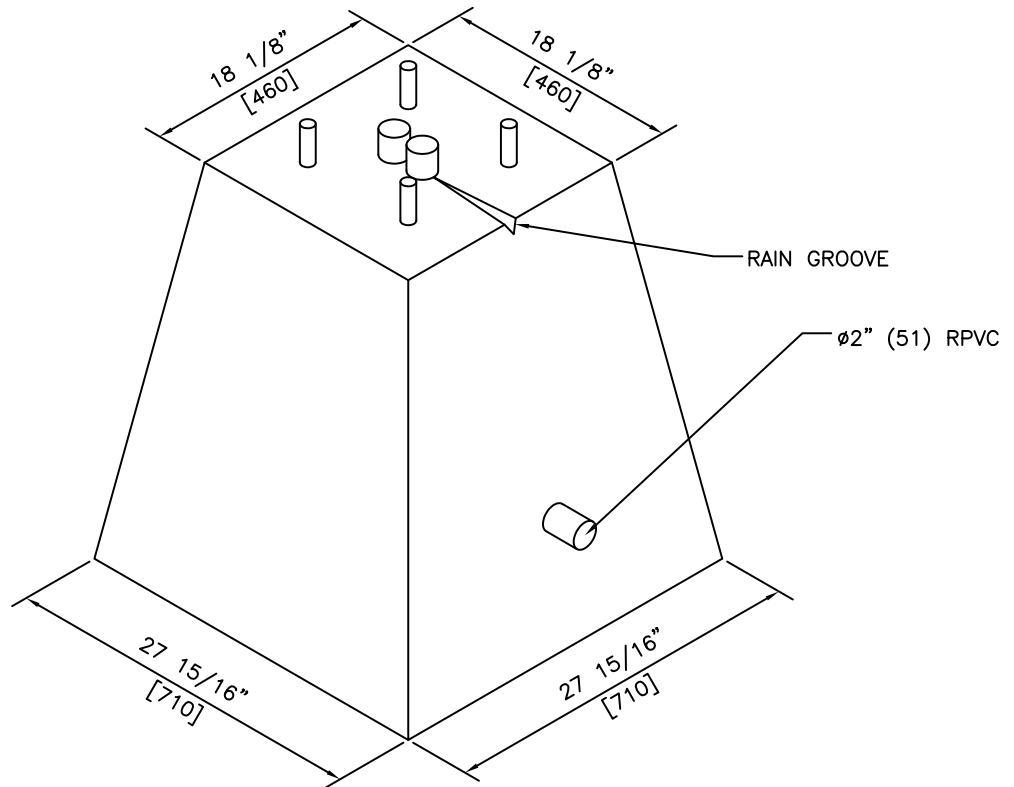


ELEVATION

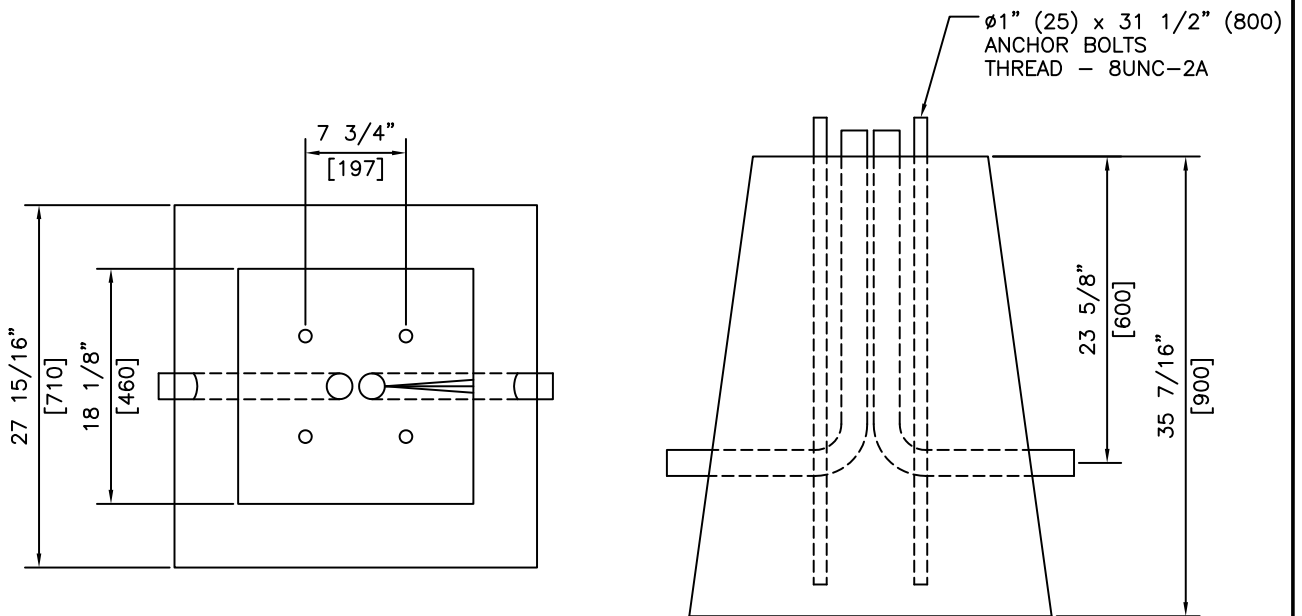
NOTES:
1) 27.6 MPa @ 28 DAYS

REVISED: JAN 10 2008

 KON KAST products (2005) Ltd. "Committed To Quality And Service"	3440 UNIVERSITY WAY KELOWNA B.C. V1V 1V9 PH: (250)765-1423 FX: (250)765-0820	BY: PKR DATE: FEB 22 05 SCALE: NTS	1200mm (47 1/4") LIGHT STANDARD BASE	ITEM NO. 1046



ISOMETRIC



PLAN

ELEVATION

NOTES:

1) 27.6 MPa @ 28 DAYS

REVISED: FEB 22 2005



KON KAST

products (2005) Ltd.
"Committed To Quality And Service"

3440 UNIVERSITY WAY
KELOWNA B.C.
V1V 1V9
PH: (250)765-1423
FX: (250)765-0820

BY: PKR

DATE: FEB 22 05

SCALE: NTS

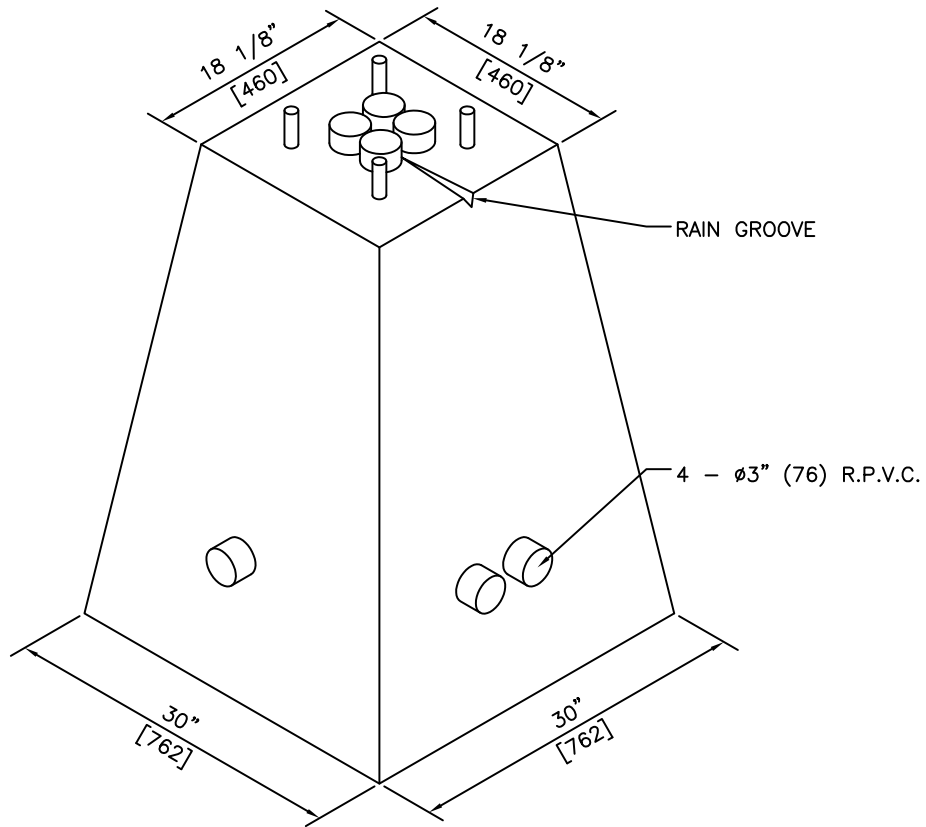
TYPE E-10

LIGHT STANDARD BASE

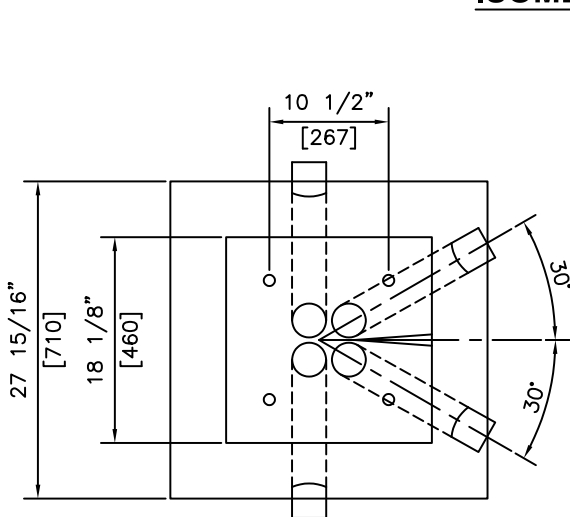
PEN STOCK #21-01-006

ITEM NO.

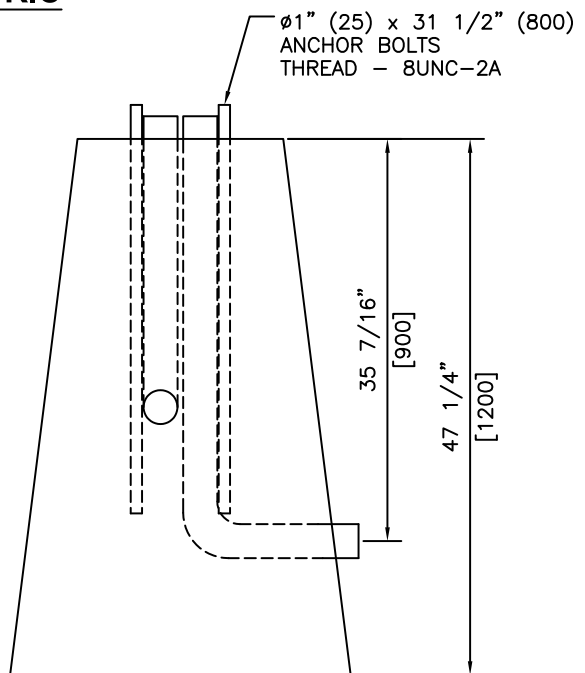
1047



ISOMETRIC



PLAN



ELEVATION

NOTES:

1) 27.6 MPa @ 28 DAYS

REVISED: FEB 22 2005



KON KAST
products (2005) Ltd.
"Committed To Quality And Service"

3440 UNIVERSITY WAY
KELOWNA B.C.
V1V 1V9
PH: (250)765-1423
FX: (250)765-0820

BY: PKR

DATE: FEB 22 05

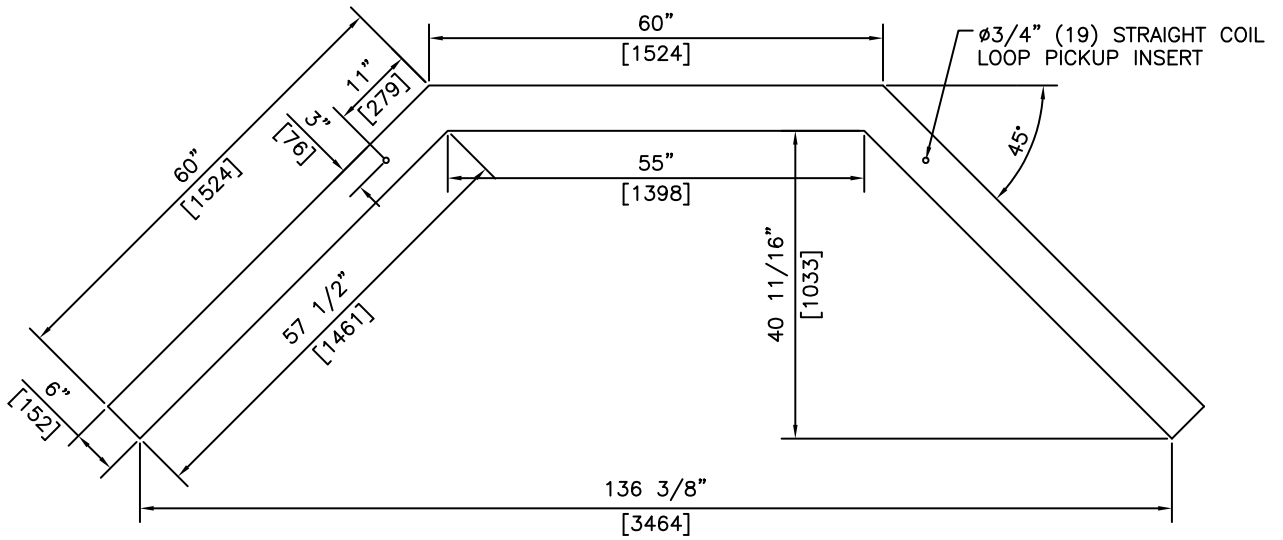
SCALE: NTS

TYPE E-11

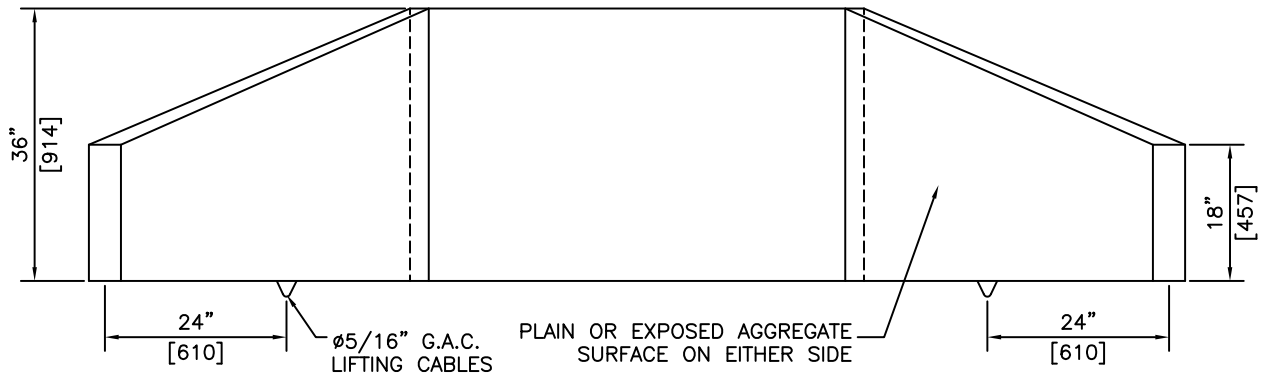
LIGHT STANDARD BASE
PEN STOCK #21-01-014

ITEM NO.

1048



PLAN




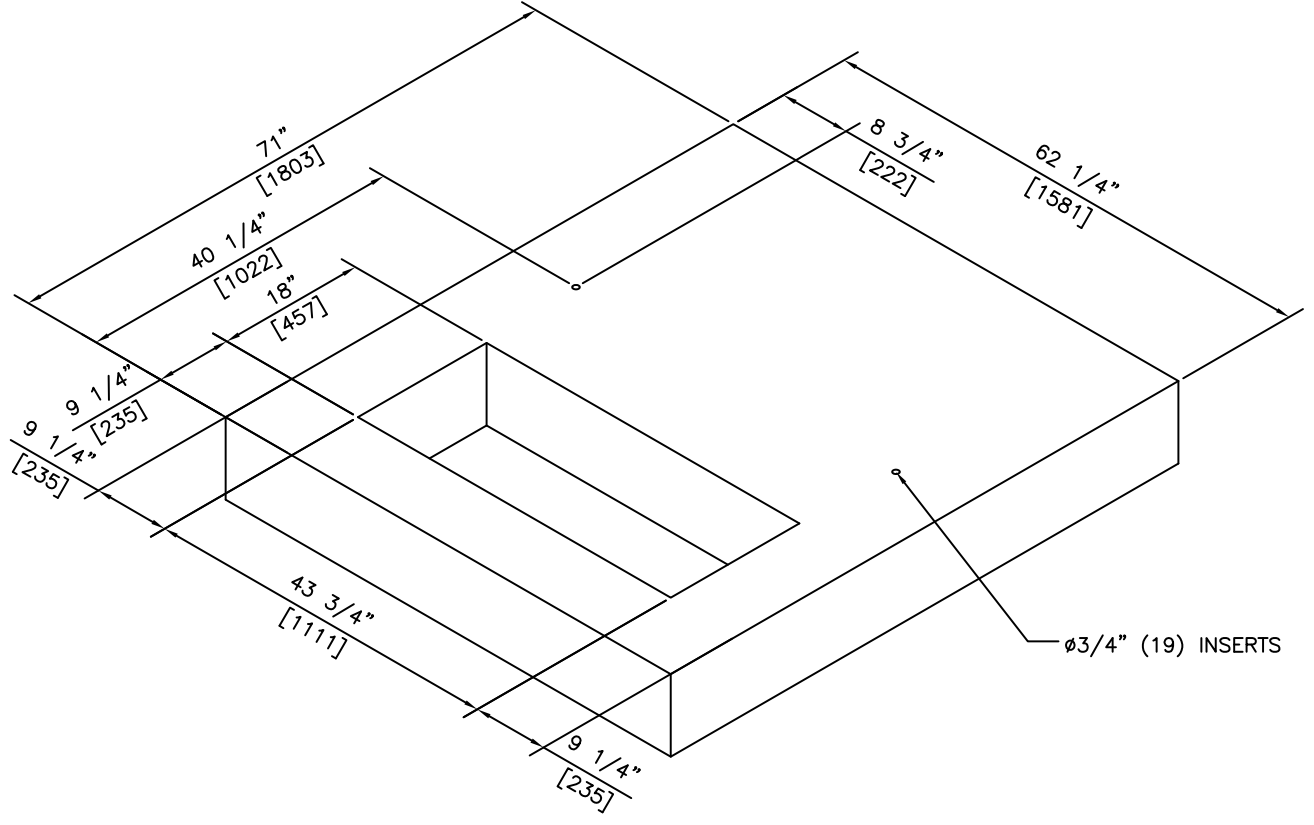
ELEVATION

NOTES:

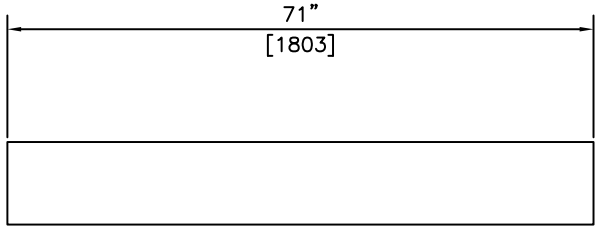
1) 27.6 MPa @ 28 DAYS

REVISED: FEB 23 2005

 <p>KON KAST products (2005) Ltd. "Committed To Quality And Service"</p>	<p>3440 UNIVERSITY WAY KELOWNA B.C. V1V 1V9 PH: (250)765-1423 FX: (250)765-0820</p>	BY: PKR	<p>TRANSFORMER & FIRE HYDRANT RETAINING WALL</p>	ITEM NO.
		DATE: FEB 23 05		<p>1056</p>
		SCALE: NTS		




PLAN

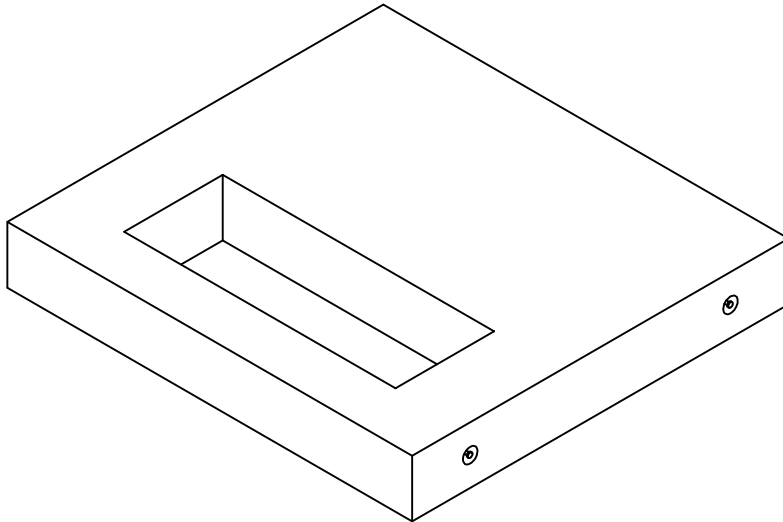


ELEVATION

NOTES:
1) 27.6 MPa @ 28 DAYS

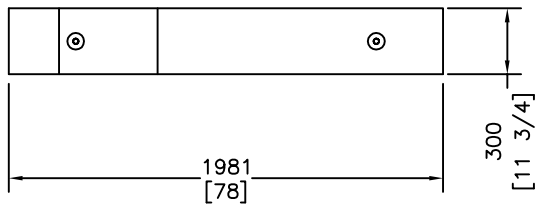
REVISED: FEB 23 2005

 KON KAST products (2005) Ltd. "Committed To Quality And Service"	3440 UNIVERSITY WAY KELOWNA B.C. V1V 1V9 PH: (250)765-1423 FX: (250)765-0820	BY: PKR DATE: FEB 23 05 SCALE: NTS	3 PHASE TRANSFORMER PAD	ITEM NO. 1058

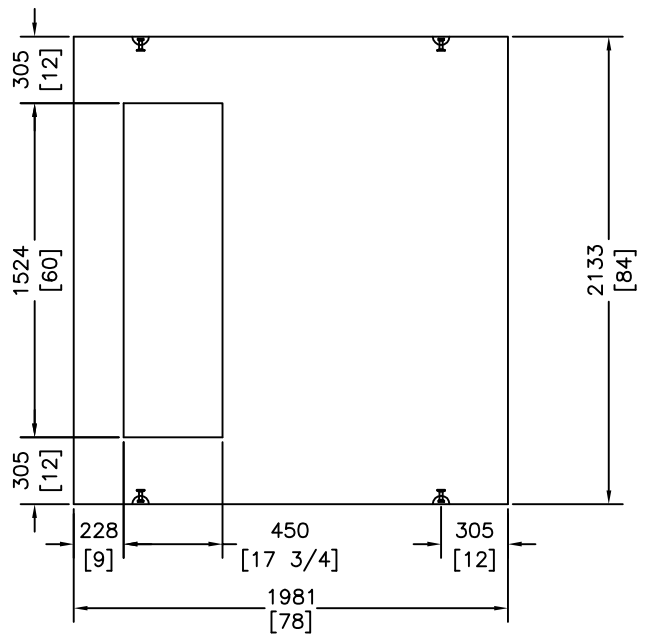


ISOMETRIC VIEW

c/w 4-170mm LIFTING ANCHORS FOR HANDLING



ELEVATION VIEW




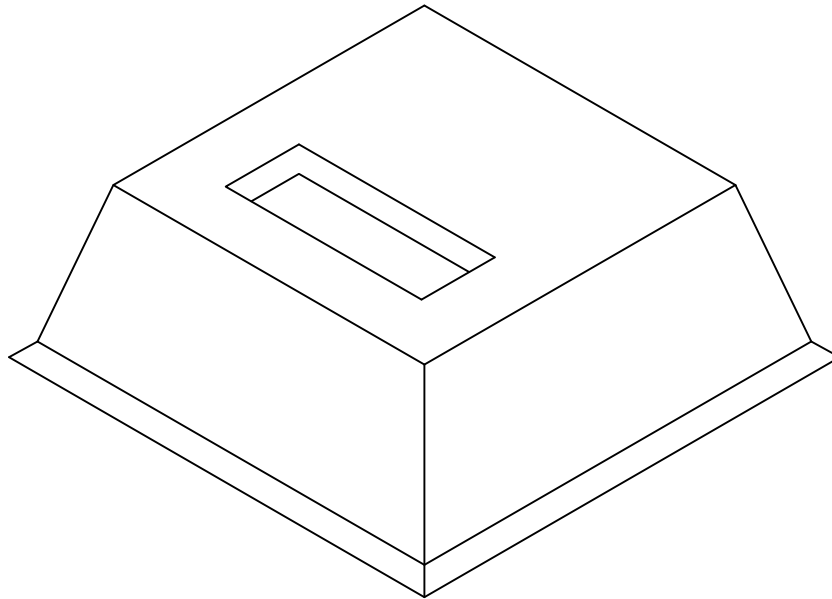
PLAN VIEW

NOTES:

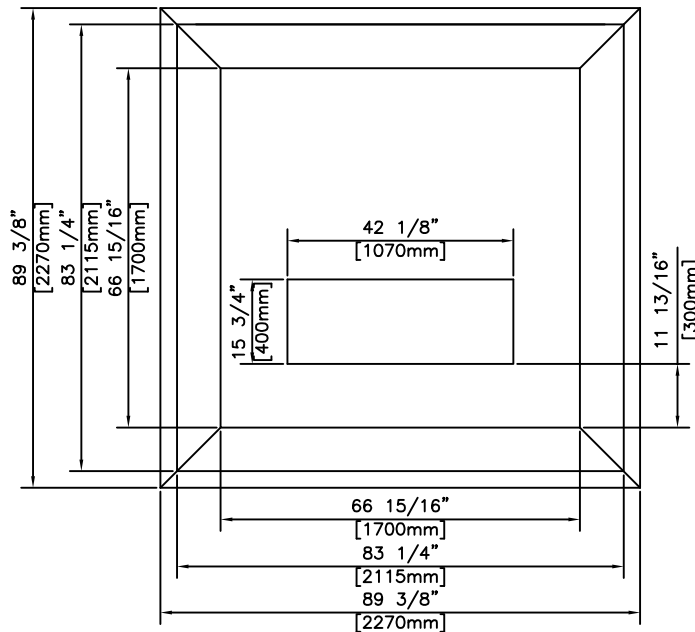
- 1) 30 Mpa @ 28 DAYS
- 2) FIBRILATTED FIBRE MESH CONCRETE
- 3) SULPHATE RESISTANT CONCRETE

REVISED: APR 2 2014

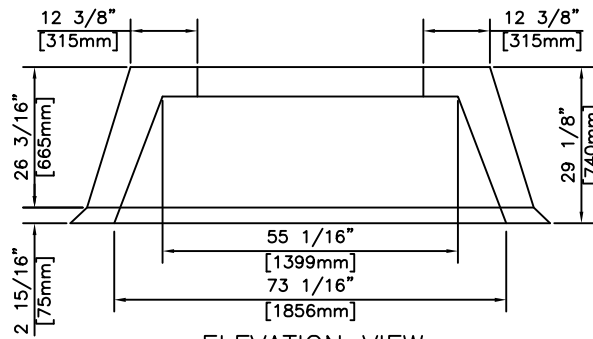
 <p>KON KAST products (2005) Ltd. "Committed To Quality And Service"</p>	1313 INNOVATION DR KELOWNA B.C. V1V 3B3 PH: (250)765-1423 FX: (250)765-0820	BY: PKR DATE: FEB 28 03 SCALE:	<p>3 PHASE TRANSFORMER PAD FORTIS #1596</p>	DRAWING 1058B



ISOMETRIC VIEW



PLAN VIEW



ELEVATION VIEW



KON KAST
products Ltd.

"Committed To Quality And Service"

3440 COLLEGE WAY
KELOWNA, B.C.
V1V-1V9
765-1423
FAX: 765-0820

BY: BMR

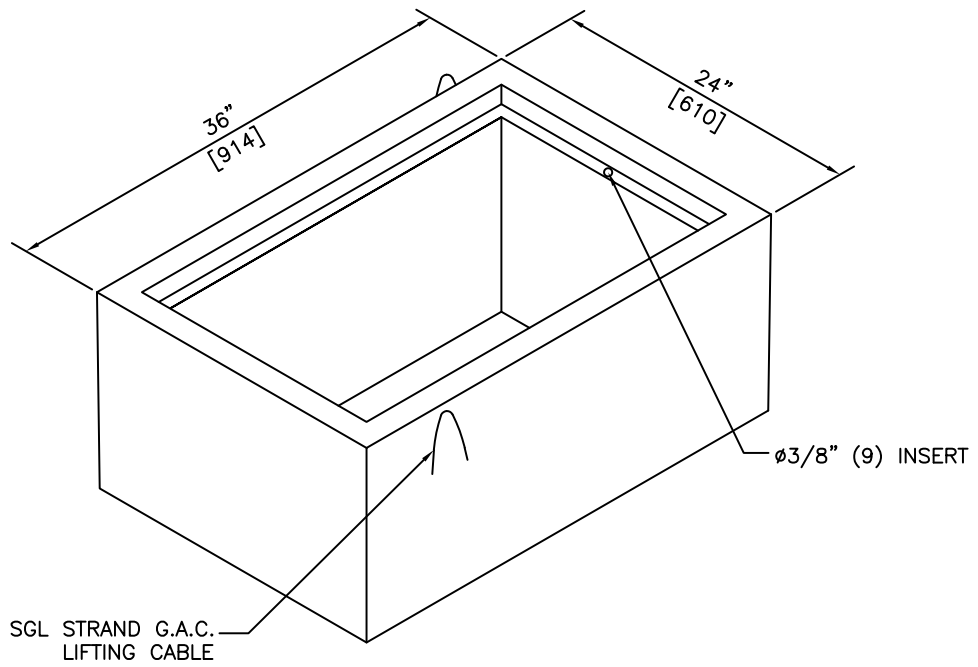
DATE: FEB 28 03

SCALE:

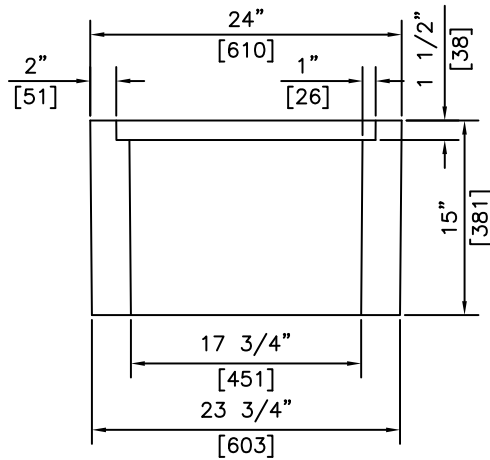
3Ø TRANSFORMER
PAD

ITEM NO.

1058D



ISOMETRIC



SECTION

NOTE: CUSTOMER TO USE A SPREADER AND TWO (2) TAIL CHAIN OR CHIPPING AND CRACKING MAY OCCUR

NOTES:

- 1) MEETS H-20 LOADING
- 2) 30 MPa @ 28 DAYS

REVISED: MAR 28 2006



KON KAST

products (2005) Ltd.
"Committed To Quality And Service"

3440 UNIVERSITY WAY
KELOWNA B.C.
V1V 1V9
PH: (250)765-1423
FX: (250)765-0820

BY: PKR

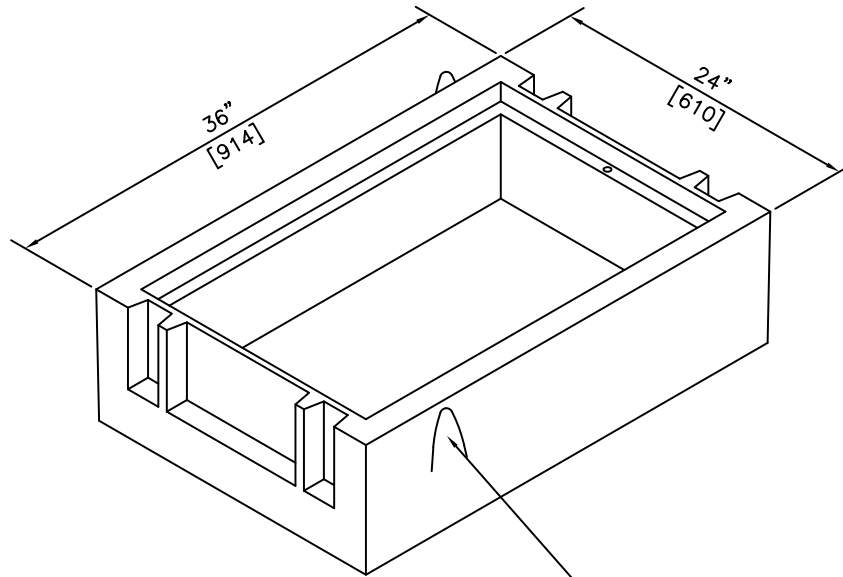
DATE: FEB 23 05

SCALE: NTS

1060
SERVICE / JUNCTION
BOX

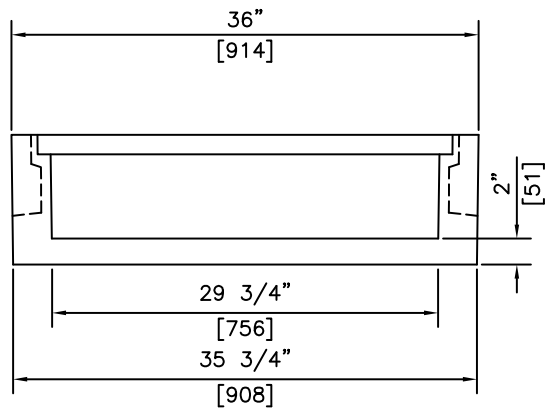
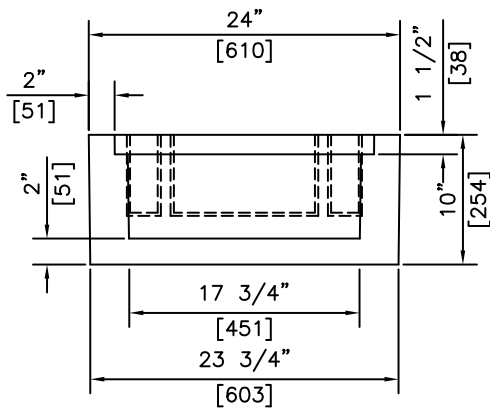
ITEM NO.

1060

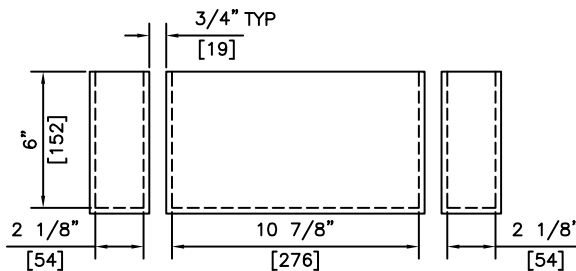


ISOMETRIC

SGL STRAND G.A.C.
LIFTING CABLE



SECTION



KNOCKOUT DETAIL

NOTES:

- 1) MEETS H-20 LOADING
- 2) 30 MPa @ 28 DAYS

NOTE: CUSTOMER TO USE A SPREADER AND TWO (2) TAIL CHAIN OR CHIPPING AND CRACKING MAY OCCUR

REVISED: MAR 27 2006



KON KAST

products (2005) Ltd.
"Committed To Quality And Service"

3440 UNIVERSITY WAY
KELOWNA B.C.
V1V 1V9
PH: (250)765-1423
FX: (250)765-0820

BY: PKR

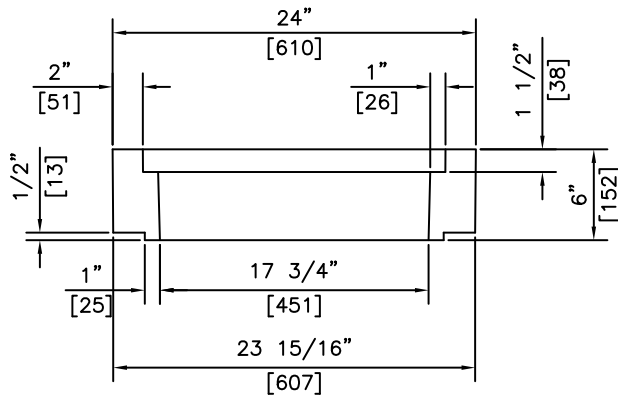
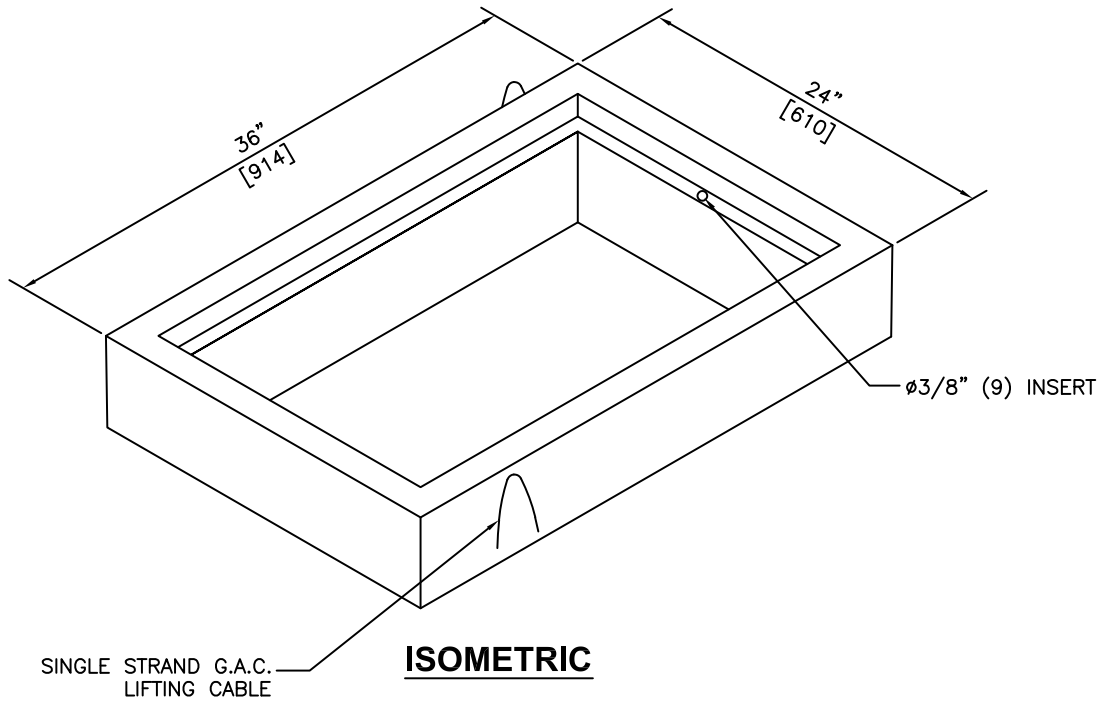
DATE: JAN 26 06

SCALE: NTS

1060B
SERVICE / JUNCTION
BOX

ITEM NO.

1060B




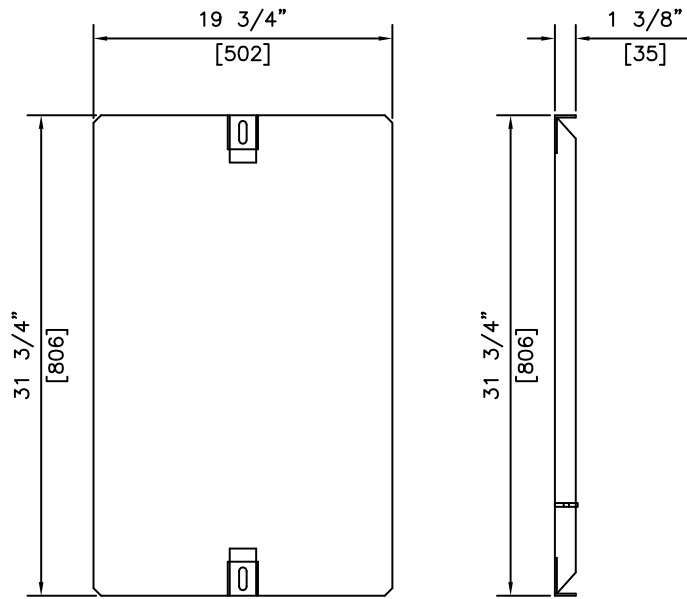
NOTE: CUSTOMER TO USE A SPREADER AND TWO (2) TAIL CHAIN OR CHIPPING AND CRACKING MAY OCCUR

NOTES:

- 1) MEETS H-20 LOADING
- 2) 30 MPa @ 28 DAYS

REVISED: MAR 28 2006

 KON KAST products (2005) Ltd. "Committed To Quality And Service"	3440 UNIVERSITY WAY KELOWNA B.C. V1V 1V9 PH: (250)765-1423 FX: (250)765-0820	BY: PKR DATE: FEB 23 05 SCALE: NTS	1060 SERVICE / JUNCTION BOX RISER	ITEM NO. 1060R




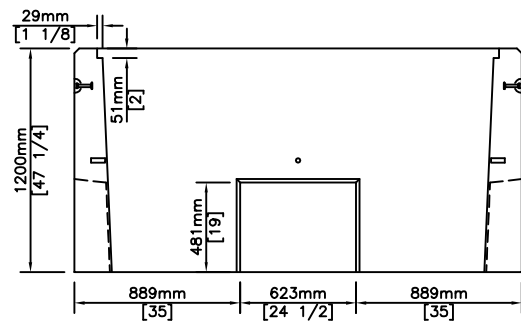
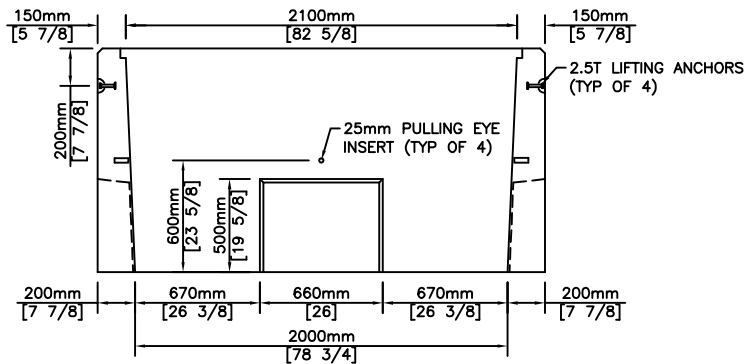
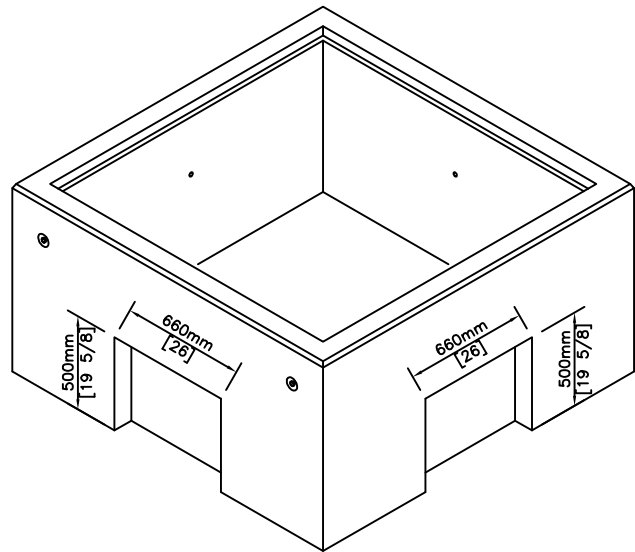
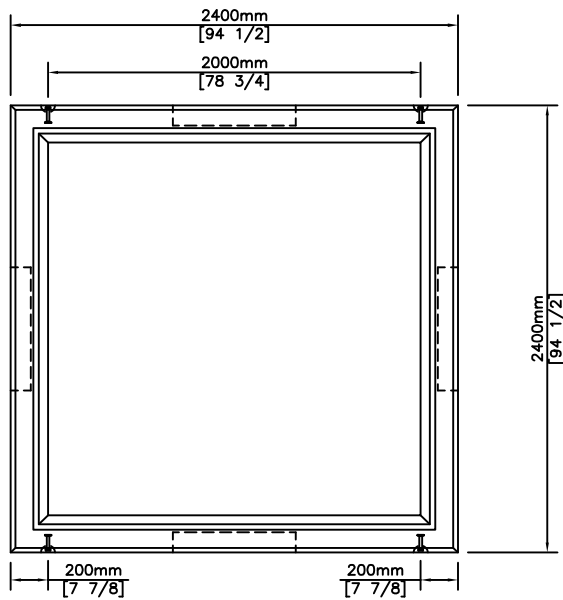
PLAN VIEW

NOTES:

- 1) MEETS H-20 LOADING
- 2) 27.6 MPa @ 28 DAYS

REVISED: FEB 23 2005

 <p>KON KAST products (2005) Ltd. "Committed To Quality And Service"</p>	<p>3440 UNIVERSITY WAY KELOWNA B.C. V1V 1V9 PH: (250)765-1423 FX: (250)765-0820</p>	BY: PKR	<p>1061 LID COMPONENT PARTS</p>	ITEM NO.
		DATE: FEB 23 05		<p>1061</p>
		SCALE: NTS		



NOTE:

- 1 - CONCRETE, MINIMUM 28 DAYS STRENGTH TO BE 30Mpa -TYPE 50
- 2 - REINFORCEMENT TO BE WELDED WIRE FABRIC TO CSA G30.3-1983
- 3 - SUFFICIENT LAP STRENGTH FOR REINFORCEMENT SHOULD BE PROVIDED TO ENSURE CONTINUITY OF REINFORCEMENT.
- 4 - MINIMUM CONCRETE COVER FOR REINFORCEMENT
A)30mm FOR OUTSIDE FACE OF BOX PAD
B)20mm FOR INSIDE FACE OF BOX PAD
- 5 - MASS: 8935 Lbs / 4060 Kg
- 6 - BASE IS SIZED TO ACCOMMODATE 15KV - 25KV SWITCHGEAR
- 7 - UNLESS OTHERWISE INDICATED, ALL DIMENSIONS ARE IN MILLIMETRES
- 8 - LIFTING ANCHOR IS 2.5 TON 3 3/8" LENGTH UNLIFTER

NOTES:

REVISED: NOV 25 2008



KON KAST
products (2005) Ltd.

"Committed To Quality And Service"

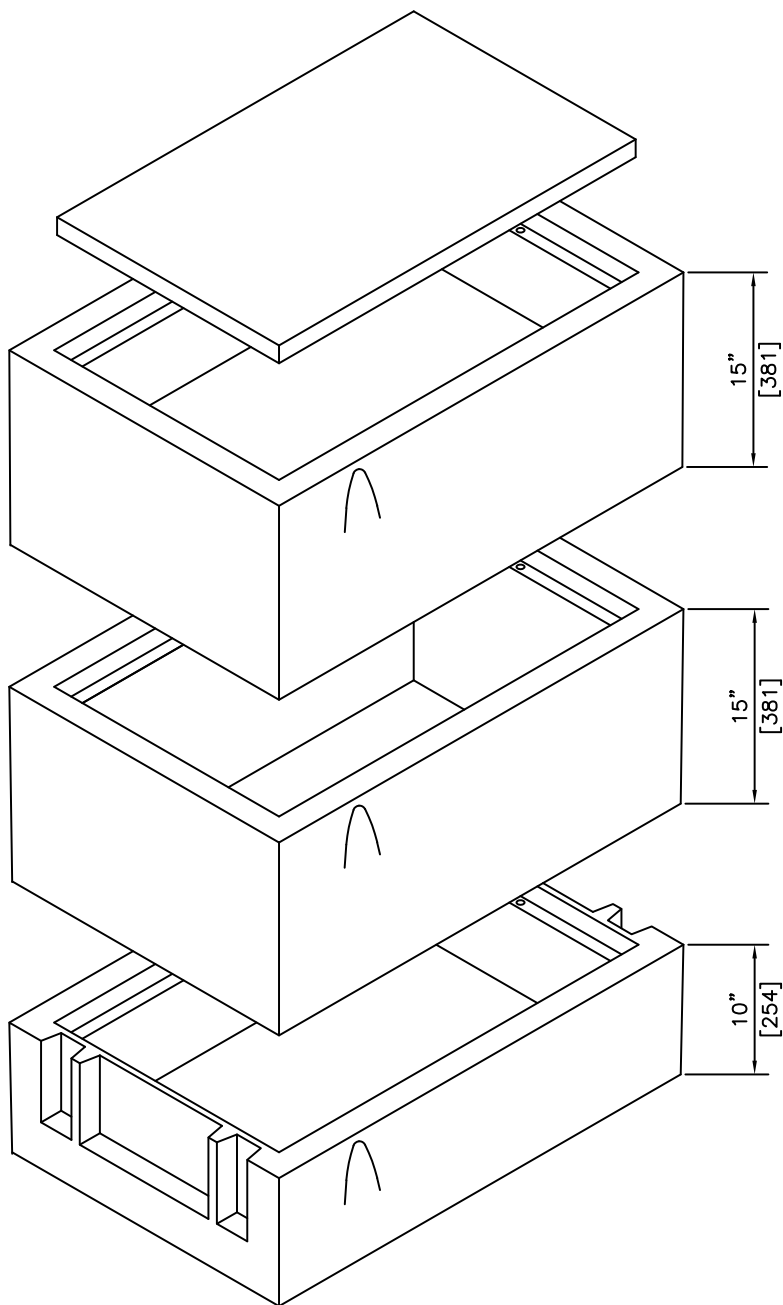
3440 UNIVERSITY WAY
KELOWNA B.C.
V1V 1V9
PH: (250)765-1423
FX: (250)765-0820

BY: PKR
DATE: NOV 6 2008
SCALE: NTS

FORTIS 1066
SWITCHER BASE
FORTIS #7550561

ITEM NO.


1066



NOTES:

- 1) MEETS H-20 LOADING
- 2) 30 MPa @ 28 DAYS

REVISED: JAN 26 2006

 <p>KON KAST products (2005) Ltd. "Committed To Quality And Service"</p>	<p>3440 UNIVERSITY WAY KELOWNA B.C. V1V 1V9 PH: (250)765-1423 FX: (250)765-0820</p>	BY: PKR	<p>1071 SERVICE / JUNCTION BOX ASSEMBLY</p>	ITEM NO.
		DATE: JAN 26 06		<p>1071</p>
		SCALE: NTS		