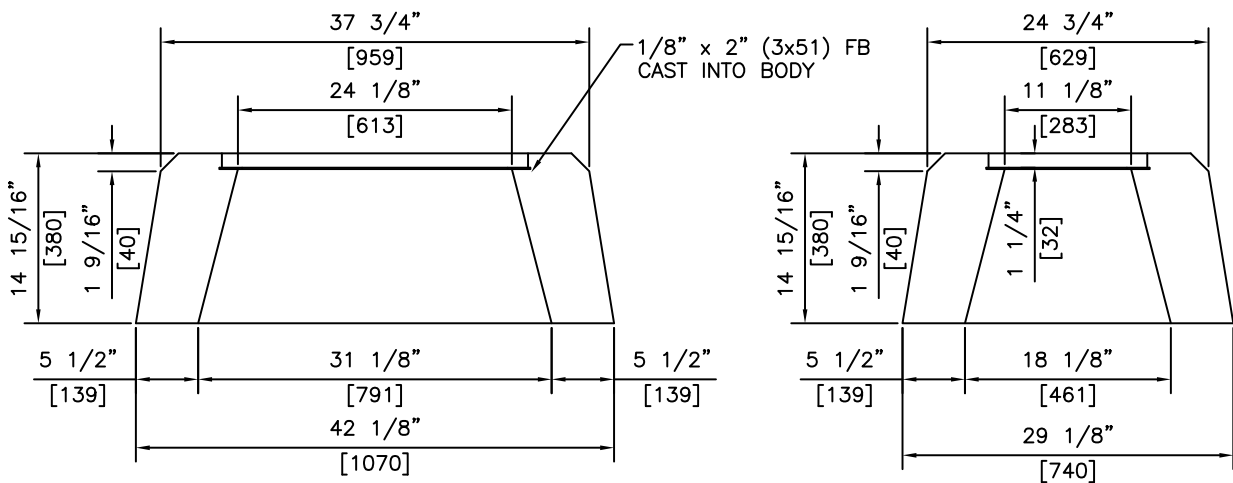


**ISOMETRIC**



**SECTIONS**

ITEM No.	OVERALL HEIGHT
938	8" (203)
939	12" (305)
940	AS SHOWN

**NOTES:**

- 1) 30 MPa @ 28 DAYS
- 2) DESIGN LOAD = MS 200
- 3) LIFT USING MOT INTERIOR LIFTING APPARATUS

REVISED: FEB 28 2005


**KON KAST**  
 products (2005) Ltd.  
 "Committed To Quality And Service"

3440 UNIVERSITY WAY  
 KELOWNA B.C.  
 V1V 1V9  
 PH: (250)765-1423  
 FX: (250)765-0820

BY: PKR  
 DATE: FEB 28 05  
 SCALE: NTS

**MOT ELECTRICAL**  
**JUNCTION BOX**  
**925 SERIES**

ITEM NO.  
**940**