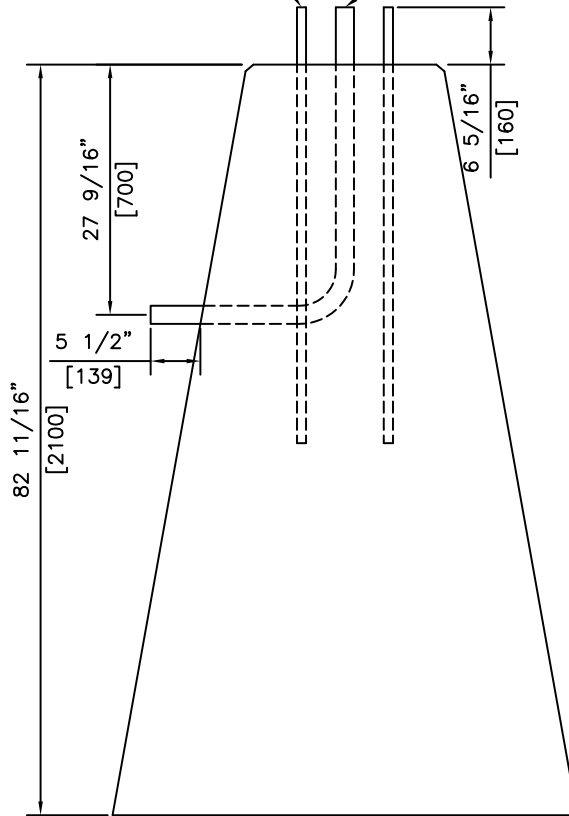


PLAN

4 - $\varnothing 1"$ x 48" LONG (25x1219) GALVANIZED GRADE 150 DYWIDAG BOLTS

$\varnothing 2"$ (51) R.P.V.C. CONDUIT



SECTION

NOTES:

1) 30 MPa @ 28 DAYS

REVISED: FEB 28 2005



KON KAST
products (2005) Ltd.
"Committed To Quality And Service"

3440 UNIVERSITY WAY
KELOWNA B.C.
V1V 1V9
PH: (250)765-1423
FX: (250)765-0820

BY: PKR
DATE: FEB 28 05
SCALE: NTS

TYPE 'S2'
LIGHT STANDARD
BASE

ITEM NO.
937S