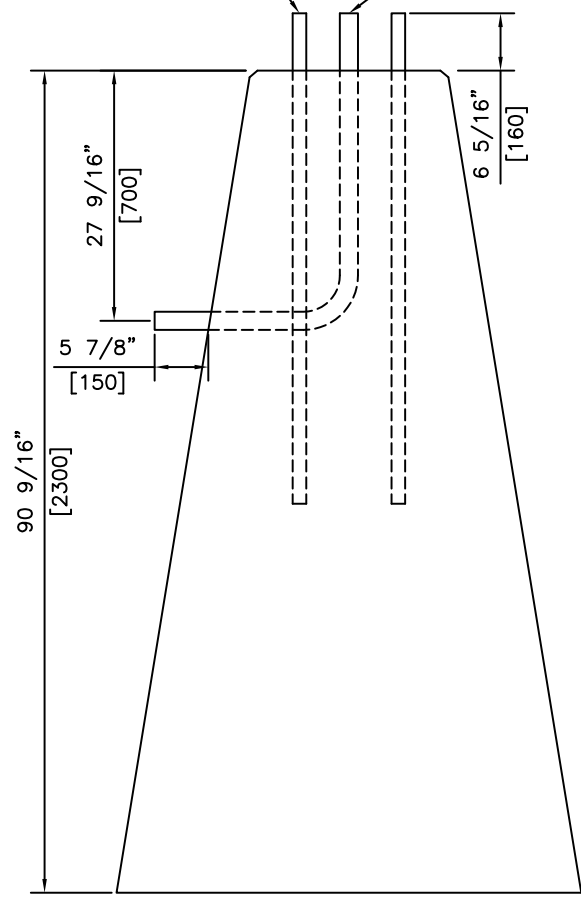


PLAN

Ø5/16" G.A.C. LIFTING CABLES ARE PROVIDED FOR HANDLING


4 - Ø1 1/2" x 54" LONG (38x1372) GALVANIZED GRADE 4140 ANCHOR BOLTS
 Ø2" (51) R.P.V.C. CONDUIT



SECTION

NOTES:
 1) 30 MPa @ 28 DAYS

REVISED: FEB 28 2005

 KON KAST products (2005) Ltd. "Committed To Quality And Service"	3440 UNIVERSITY WAY KELOWNA B.C. V1V 1V9 PH: (250)765-1423 FX: (250)765-0820	BY: PKR DATE: FEB 28 05 SCALE: NTS	TYPE 'L2' LIGHT STANDARD BASE	ITEM NO. 937L