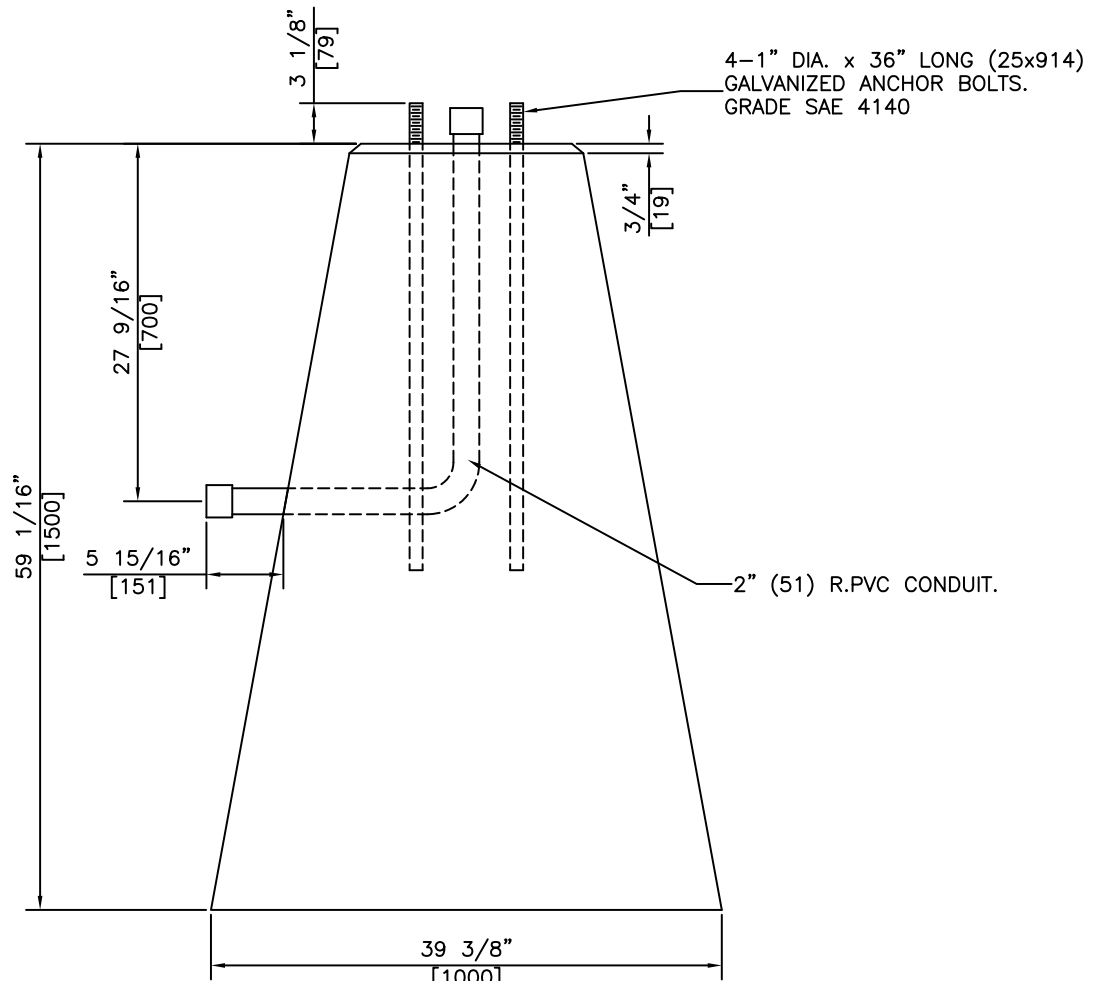


**PLAN**



**ELEVATION**

**NOTES:**  
1) 30 MPa @ 28 DAYS

REVISED: FEB 25 2005



**KON KAST**  
products (2005) Ltd.  
"Committed To Quality And Service"

3440 UNIVERSITY WAY  
KELOWNA B.C.  
V1V 1V9  
PH: (250)765-1423  
FX: (250)765-0820

BY: PKR  
DATE: FEB 25 05  
SCALE: NTS

**TYPE 'C'**  
**LIGHT STANDARD**  
**BASE**

ITEM NO.  
**935**