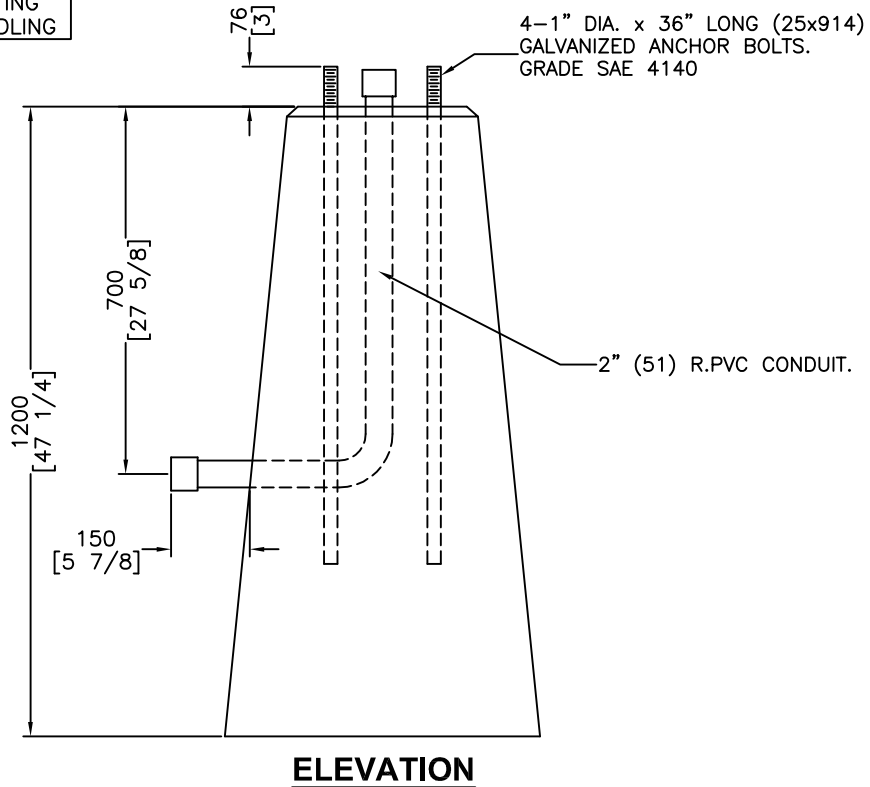


NOTE:  
c/w 2-3 3/8" LIFTING  
ANCHORS FOR HANDLING



30 MPa @ 28 DAYS

WEIGHT: 706 kg

REVISED: APR 20 2017



**KON KAST**  
products (2005) ltd.

ph: (250) 765 1423  
fx: (250) 765 0820  
www.konkast.com

"Committed To Quality And Service"

DESCRIPTION

**TYPE 'C2'  
LIGHT STANDARD  
BASE**

DRAWN BY: PKR  
DATE: MAY 4 10  
SCALE: NTS

DRAWING:

**935-2**