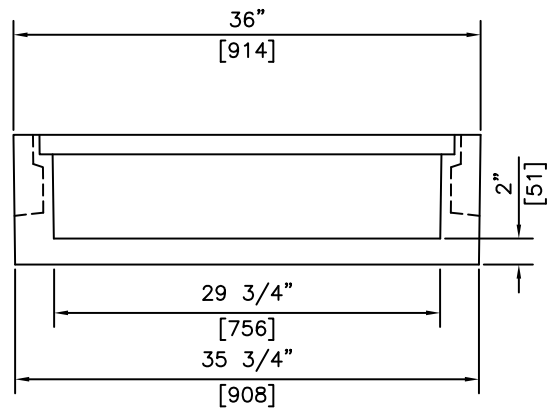
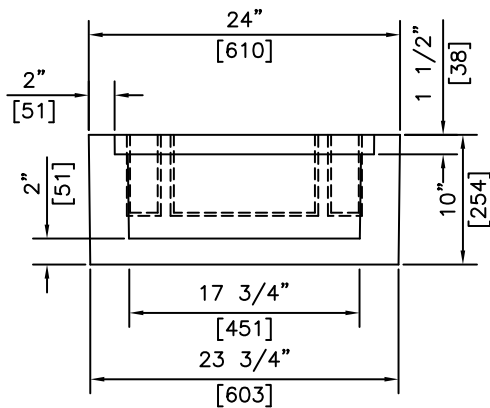
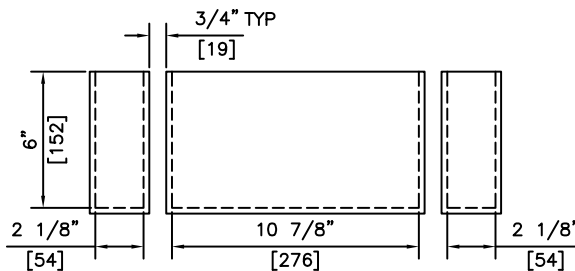


ISOMETRIC

SGL STRAND G.A.C.
LIFTING CABLE



SECTION



KNOCKOUT DETAIL

NOTES:

- 1) MEETS H-20 LOADING
- 2) 30 MPa @ 28 DAYS

NOTE: CUSTOMER TO USE A SPREADER AND TWO (2) TAIL CHAIN OR CHIPPING AND CRACKING MAY OCCUR

REVISED: MAR 27 2006



KON KAST

products (2005) Ltd.
"Committed To Quality And Service"

3440 UNIVERSITY WAY
KELOWNA B.C.
V1V 1V9
PH: (250)765-1423
FX: (250)765-0820

BY: PKR

DATE: JAN 26 06

SCALE: NTS

1060B
SERVICE / JUNCTION
BOX

ITEM NO.

1060B