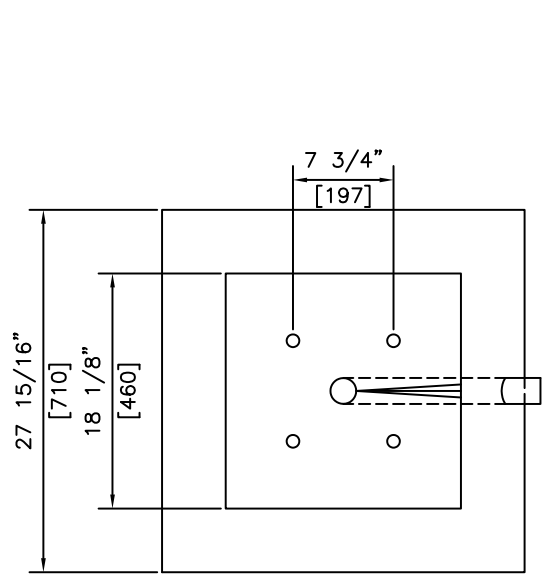
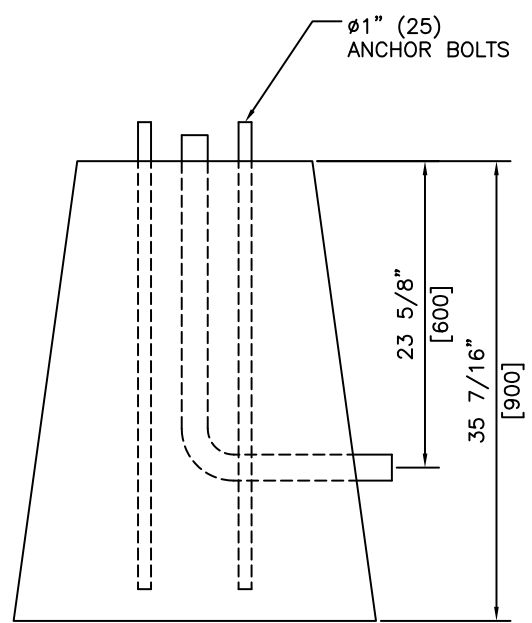


ISOMETRIC




PLAN



ELEVATION

NOTES:
1) 27.6 MPa @ 28 DAYS

REVISED: FEB 21 2005

 KON KAST products (2005) Ltd. "Committed To Quality And Service"	3440 UNIVERSITY WAY KELOWNA B.C. V1V 1V9 PH: (250)765-1423 FX: (250)765-0820	BY: PKR DATE: FEB 21 05 SCALE: NTS	900mm (35 7/16") LIGHT STANDARD BASE	ITEM NO. 1040