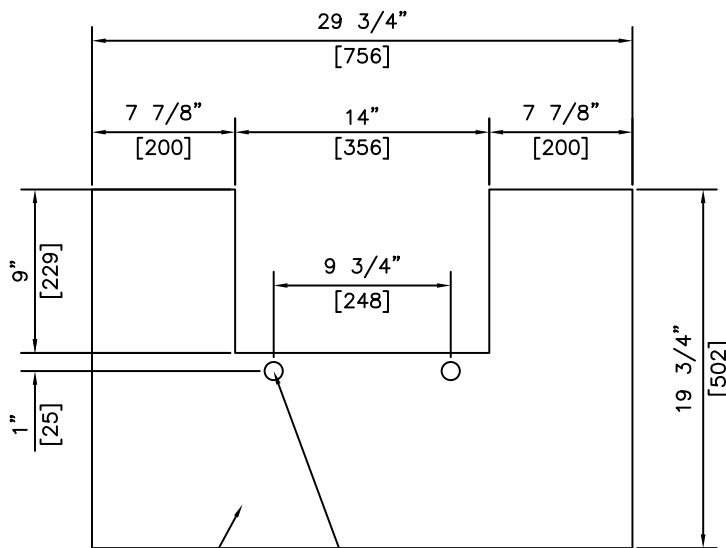


**ISOMETRIC**



1/4" (6) PLATE STEEL LID (FILLER) ———— ∅9/16" (14) HOLES

**PLAN**

**NOTES:**

1) MEETS H-20 LOADING

REVISED: FEB 21 2005



**KON KAST**  
products (2005) Ltd.  
"Committed To Quality And Service"

3440 UNIVERSITY WAY  
KELOWNA B.C.  
V1V 1V9  
PH: (250)765-1423  
FX: (250)765-0820

BY: PKR  
DATE: FEB 21 05  
SCALE: NTS

**40" x 48" (1016x1219)**  
**LID No.4**  
**(37KV<sub>a</sub> FILLER)**

ITEM NO.  
**1039**