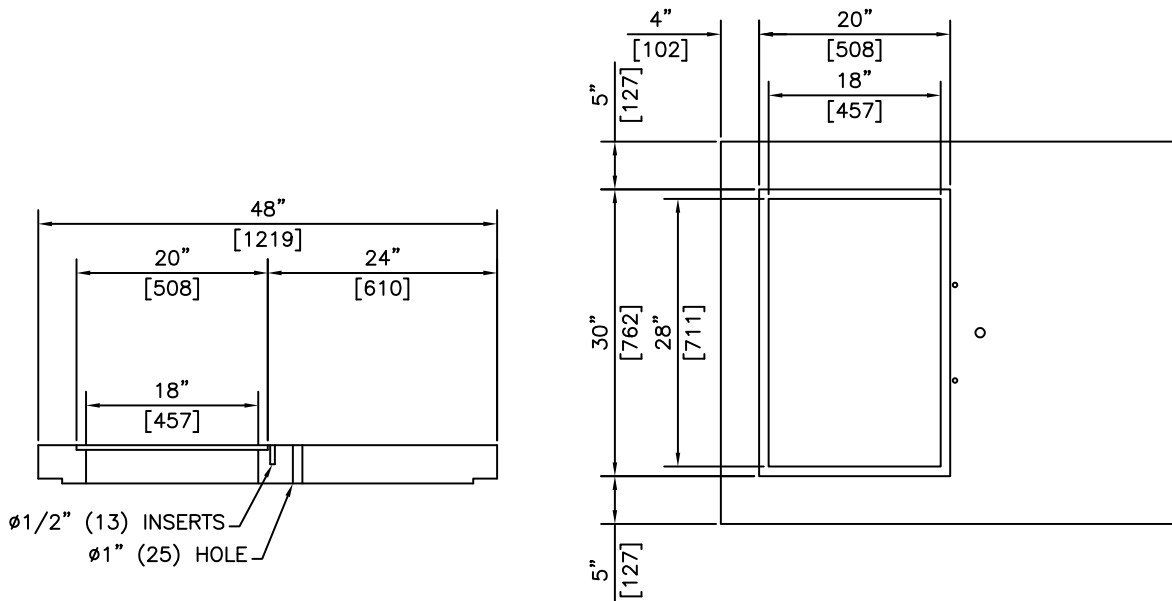


**ISOMETRIC**




**SECTION**

**PLAN**

**NOTES:**

- 1) MEETS H-20 LOADING
- 2) 27.6 MPa @ 28 DAYS

REVISED: MAY 3 2006

 <p><b>KON KAST</b> products (2005) Ltd. "Committed To Quality And Service"</p>	<p>3440 UNIVERSITY WAY KELOWNA B.C. V1V 1V9 PH: (250)765-1423 FX: (250)765-0820</p>	BY: PKR	<p><b>40" x 48" (1016x1219)</b> <b>SUPPORT BOX</b> <b>CONCRETE LID (H-20)</b></p>	ITEM NO.
		DATE: FEB 21 05		<p><b>1038</b></p>
		SCALE: NTS		